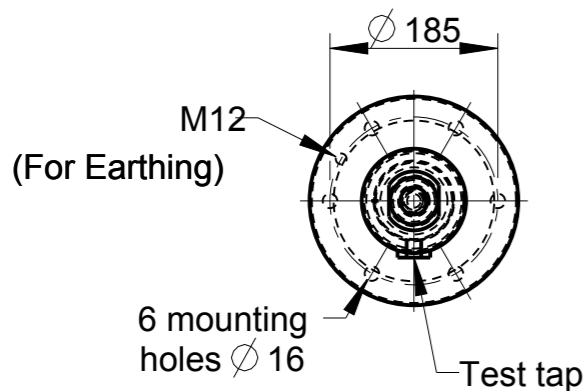
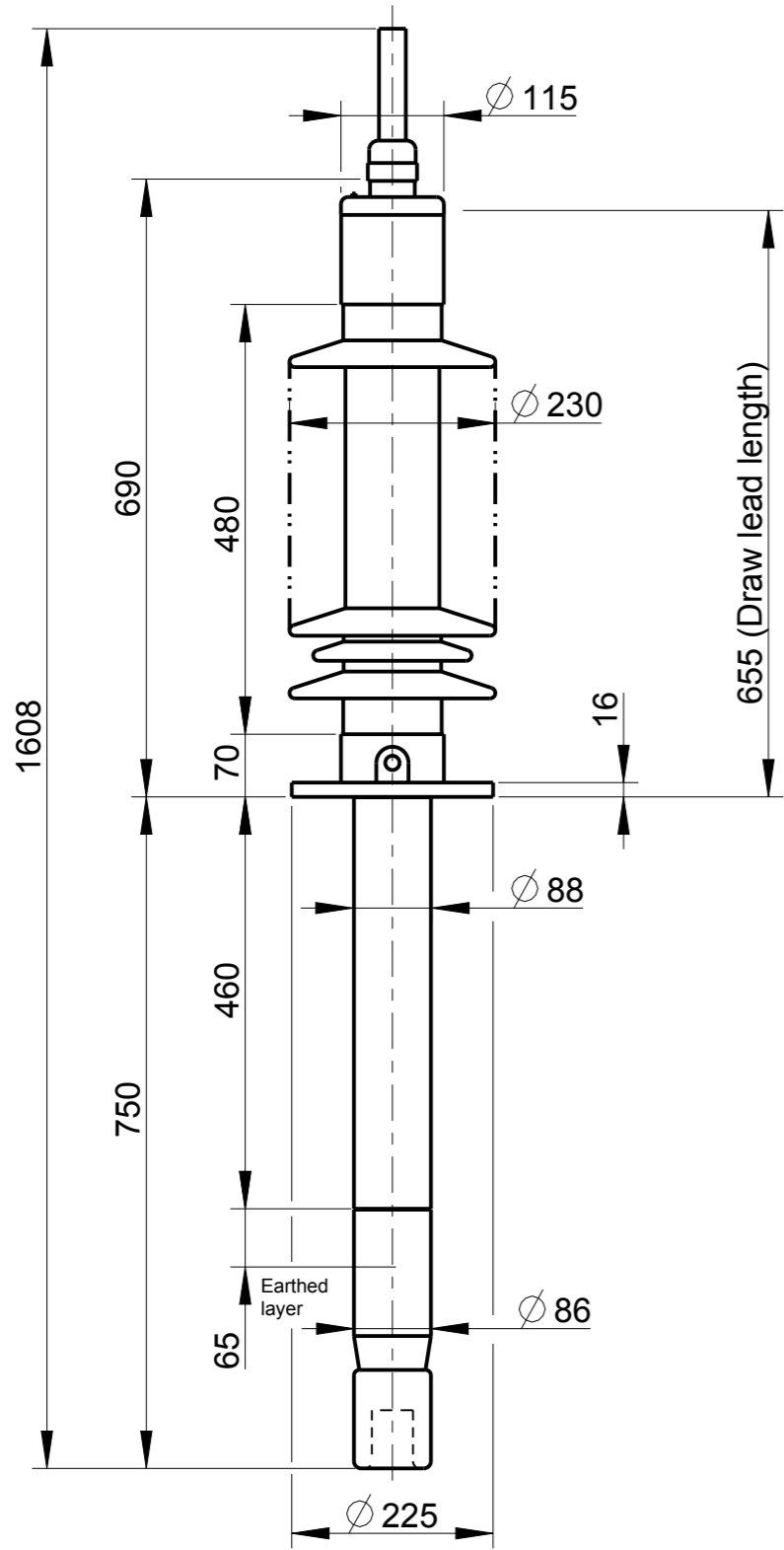
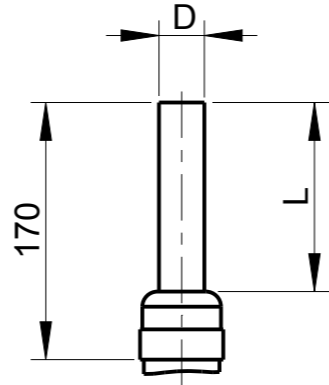


This document is issued by means of a computerized system. The digitally stored original is electronically approved. The approved document has a date entered in the 'Approved'-field. A manual signature is not required.

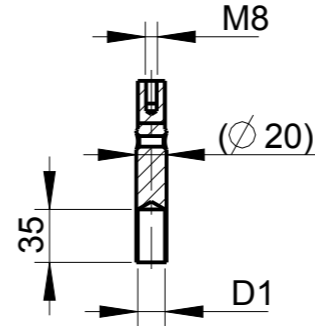
The information contained in this document has to be kept strictly confidential. Any unauthorized use, reproduction, distribution or disclosure to third parties are strictly forbidden. ABB reserves all rights regarding Intellectual Property Rights. © Copyright 2013 ABB. All rights reserved.



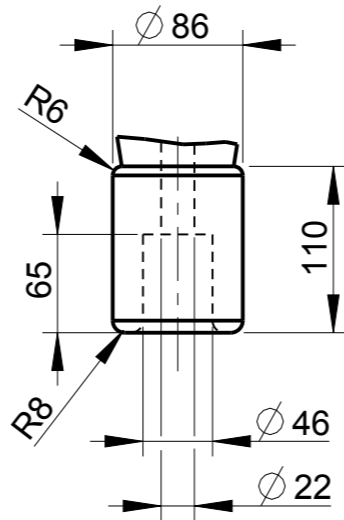
OUTER TERMINAL



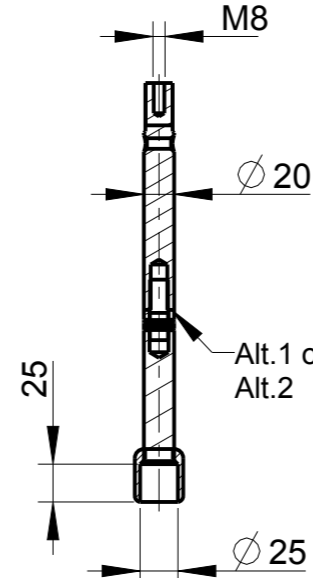
INNER TERMINAL FOR STRANDED CABLE



END SHIELD



SOLID ROD CONNECTOR



The solid rod can be divided either:
Alt.1: 20mm below the bushing flange or
Alt.2: 20mm below the upper end of the bottom porcelain

Bushing Data:

Rated Voltage	52	kV
Phase to Ground Voltage	52	kV
Dry Lightning Impulse 1,2/50µs	250	kV
Wet power frequency AC	105	kV
Routine test 1min dry 50Hz	120	kV
Rated Current	800	A
Creepage Distance	1690±50	mm
Creepage Distance Protected	650	mm
Mass	27	kg

Ordering Data:

BUSHING	COLOUR AIR INSULATOR
LF123083-M	BROWN
-N	LIGHT GREY
OUTER TERMINAL	Material D L
LF 170 002-A	Cu alloy, Ø 30, 125
LF 170 001-A	Al, Ø 30, 125

OTHER TYPES ON REQUEST

INNER TERMINAL FOR STRANDED CABLE	
For brazing	Conductor area D1
LF 170 011-S	up to 150mm ² Ø 18
LF 170 011-U	Undrilled with pilot hole Ø 5
For crimping or brazing	Conductor area D1
LF 170 010-M	50mm ² Ø 11
LF 170 010-N	70mm ² Ø 13
LF 170 010-L	95mm ² Ø 15

SOLID ROD CONNECTOR Material

LF 170 019 -E for Alt.1	Cu
LF 170 019 -C for Alt.2	Cu

Note:

Mounting inclination 0-45°.
⚠ For inclined and horizontal mounting, see Installation and Maintenance Guide.

ABB		Ludvika, Sweden	
No.	UmUy	kV Ir	A 50/60 Hz
BL	kV SL	kV AC	kV
M	kg L	mm V	°
C1	pF	Tan δ	x
C2	pF	Tan δ	x

Prepared	iladmin	2008-04-30	Responsible department	PPCO/BK	Title	GOB 250-800-0.5
Modified by	Palpandi K	2013-04-26	Take over department			
Approved by	Niklas Olsson	2013-05-07	Used in product		WITHOUT OIL LEVEL GAUGE LONG END SHIELD	
Revision	B	Note added			Order	1
					Document no.	2751369-114
						No. Shfts. (1)

