

# Types VIZZ-15 and VIZZ-15G Indoor voltage transformers

## Product features

- 25 kV indoor
- 150 kV BIL, 60 Hertz
- Primary volts: 10392 - 25000

## Application

The VIZZ-15 and VIZZ-15G indoor/outdoor voltage transformers are used for high burden metering and relaying service on 25 kV systems. These units replace the Westinghouse PT-25 gum-filled potential transformers.

## Construction features

The primary and secondary coils are wound using special winding and shielding techniques for improved voltage stress distribution. Each coil is insulated with mylar film to provide a high dielectric strength between layers. The coils and core are combined to create a complete winding structure that is assembled to a support frame. The entire assembly is vacuum cast in polyurethane for added insulation and protection.

## Terminals

Stud-type or clamp-type primary terminals are .750-16 x 1.125" and accommodate #10 to 250 MCM conductors. Compression-type secondary terminals accommodate #14 through #3 wire.

## Baseplate

The baseplate is constructed of corrosion-resistant aluminum with pre-drilled mounting holes, allowing direct replacement of a Westinghouse PT-25 transformer.

## Mounting

The VIZZ-15 and VIZZ-15G transformers can only be mounted in the upright position.

## Curves

Type curves are available upon request.

## Test reports

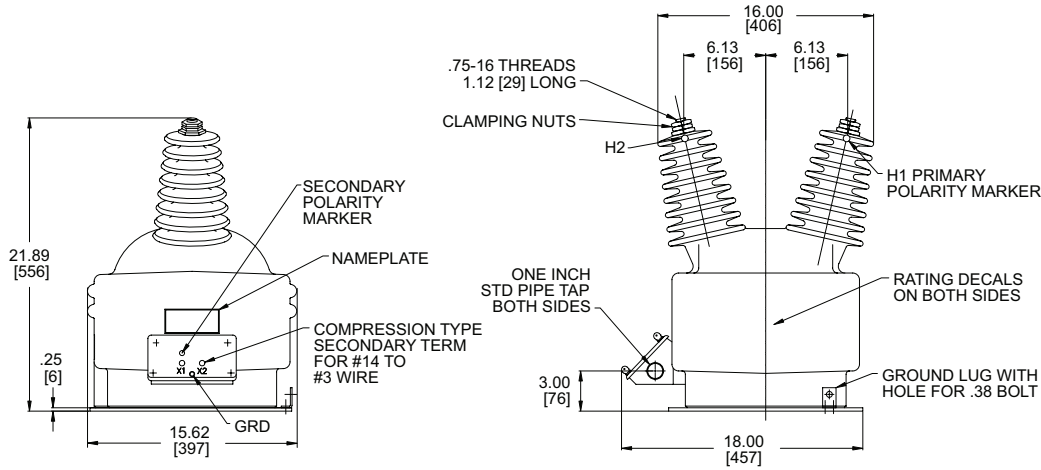
Test reports are stored electronically and can be e-mailed in various formats at the time of shipment.

## Standards

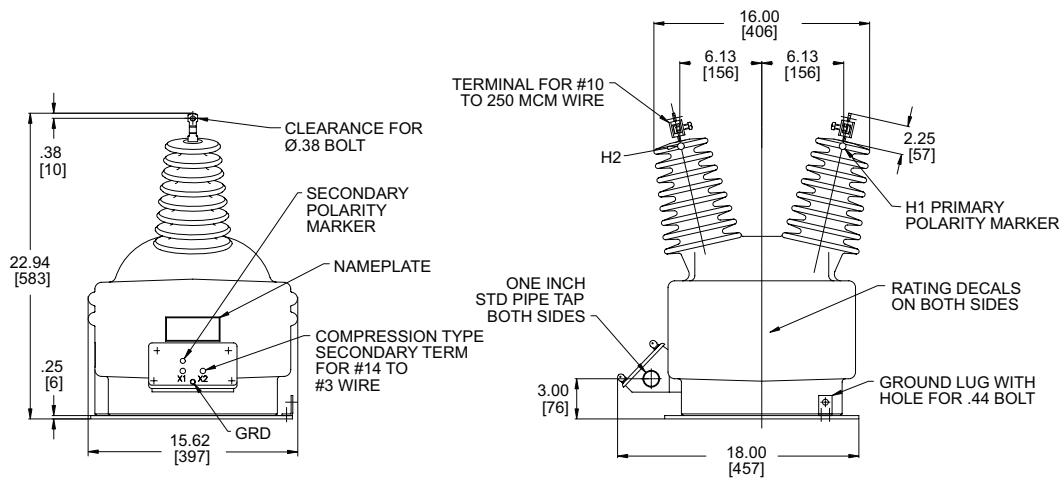
This unit can be tested to all applicable IEEE, CSA, or IEC standards as requested.



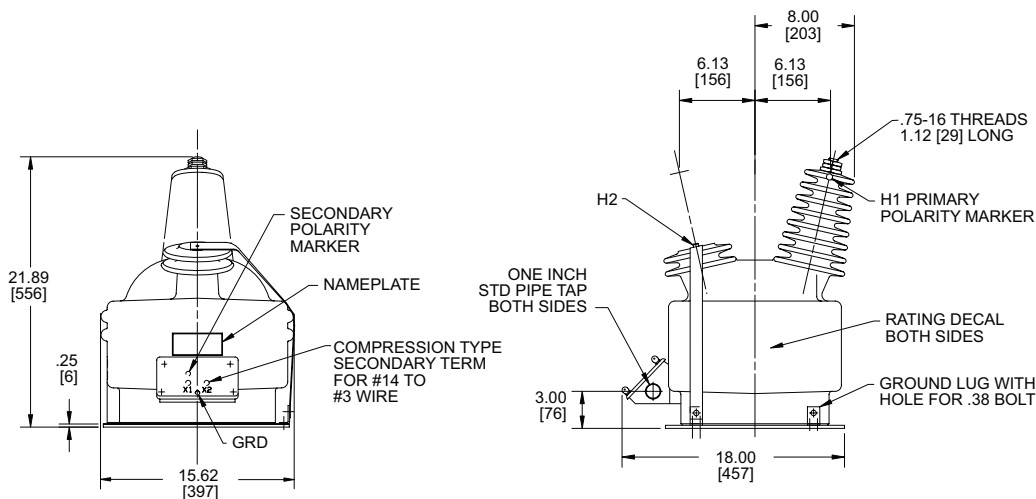
## Unit dimensions



Type VIZZ-15, stud-type (approximate weight 205 lbs.)

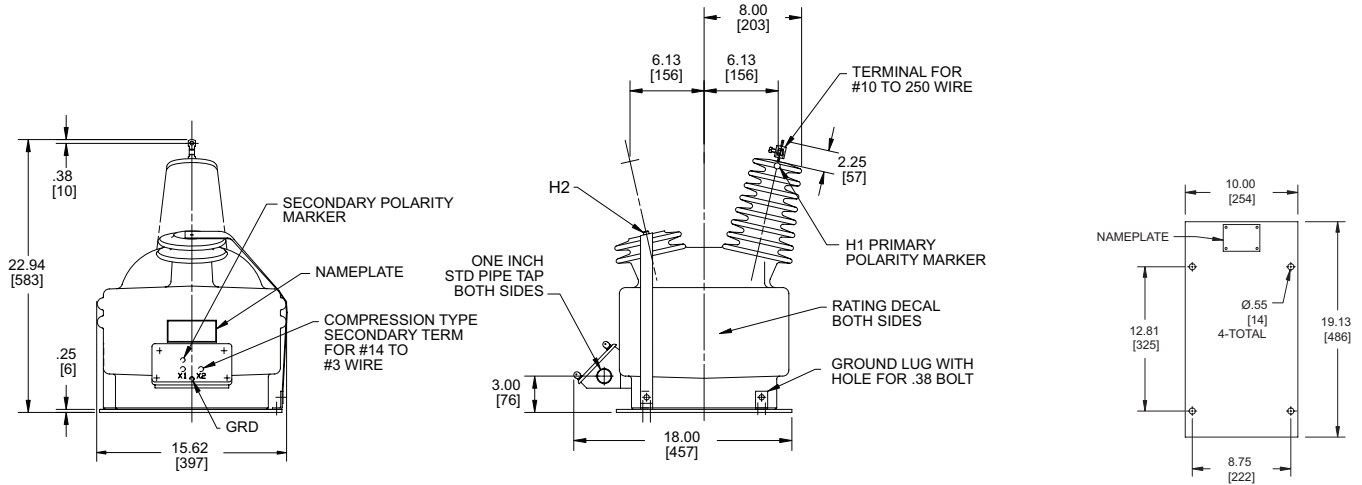


Type VIZZ-15, clamp-type (approximate weight 205 lbs.)



Type VIZZ-15G, stud-type (approximate weight 205 lbs.)

Unit dimensions (cont'd)



Type VIZZ-15G, clamp-type (approximate weight 205 lbs.)

Types VIZZ-15 and -15G baseplate

Selection guide for VIZZ-15 (two bushings)

Primary voltage	Secondary voltage	Winding ratio	Thermal rating (VA)	Rated voltage factor	Frequency	Stud terminal		Clamp terminal
						Single secondary	Double secondary	Single secondary
12000/20800Y	120	100:1	3000	1.1	60	7525A81G01	7526A47G02	7525A82G01
14400/24940Y	120	120 & 120:1	3000	1.1	60	7525A81G02	-	7525A82G02
14400/24940Y	120	120:1	3000	1.1	60	-	7526A47G03	-
14400/24940Y	72	200:1	1500	1.1	60	7525A81G10	-	-
14400/24940Y	72	200:1	3000	1.1	60	7525A81G27	-	-
14400/24940Y	72	200 & 200:1	3000	1.1	60	-	7526A47G09	-
15600/15600Y	120	130:1	3000	1.1	60	7525A81G12	-	-
16000/16000Y	120	133.33:1	3000/1500	1.1	60	7525A81G19	-	-
18000/18000Y	120	150 & 150:1	3000	1.1	60	7525A81G03	7526A47G04	7525A82G03
19200/19200Y	120	160:1	3000	1.1	60	7525A81G14	-	-
20000/20000Y	120	166.67:1	3000	1.1	60	7525A81G05	-	-
20000/20000Y	100	200:1	1750/1000	1.1	60	7525A81G28	-	-
20000/20000Y	100	200 & 200:1	1750	1.1	50	7525A81G16	7526A47G07	-
21000/21000Y	120	175:1	3000	1.1	60	7525A81G21	-	-
21000/21000Y	100	210:1	3000/1500	1.1	50	7525A81G20	-	-
21600/21600Y	120	180:1	3000	1.1	60	7525A81G07	-	-
22000/22000Y	120	183.3 & 183.3:1	3000	1.1	60	-	7526A47G06	-
22000/22000Y	120	183.3 & 183.3:1	3000	1.1	60	7525A81G13	7526A47G01	-
22000/22000Y	115	191.3:1	3000	1.1	60	7525A81G17	-	-
22800/22800Y	120	190:1	3000	1.1	60	7525A81G08	-	-
23000/23000Y	120	191.66:1	3000	1.1	60	7525A81G29	-	-
23000/23000Y	115	200:1	2250	1.1	50	7525A81G09	-	-
24000/24000Y	120	200 & 200:1	1750	1.1	50	7525A81G18	-	-
24000/24000Y	120	200:1	3000	1.1	60	7525A81G04	7526A47G05	7525A82G04
24000/24000Y	110	216.67:1	1750	1.1	60	7525A81G24	-	-

Additional styles available upon request. Contact your ABB sales representative or call +1-252-827-3212 for more information.

IEEE metering accuracy: 0.3Z

Selection guide for VIZZ-15G (one bushing)

Primary voltage	Secondary voltage	Winding ratio	Thermal rating (VA)	Rated voltage factor	Frequency	Stud terminal		Clamp terminal
						Single secondary	Double secondary	Single secondary
10392/18000GY	69.28	150:1	2750	1.1	60	7525A83G05	-	-
10392/18000GY	69.28	150:1	3000	1.1	60	-	-	7525A84G07
11500/20000GY	68.99	166.67 & 166.67:1	1000	1.9	60	-	7883A29G03	-
12000/20800GY	120	100:1	3000	1.1	60	7525A83G01	-	7525A84G01
12000/20800GY	120	100:1	1000	1.1	25	7525A83G03	-	-
13800/23900GY	69	200 & 200:1	2000	1.9	60	-	7883A29G02	-
13856/24000GY	69.28	200:1	3000	1.1	60	-	-	7525A84G06
14400/24940GY	120	120:1	3000	1.1	60	7525A83G02	-	7525A84G02
16800/29100GY	120	140 & 240:1	3000	1.2	60	-	7883A29G01	-
18000/18000GY	120	150:1	2000	1.1	60	-	-	7525A84G05
20000/20000GY	120	166.67:1	3000	1.1	60	7525A83G04	-	7525A84G03
22000/22000GY	120	183.3:1	3000	1.1	60	7525A83G06	-	-
24000/24000GY	120	200:1	3000	1.1	60	-	-	7525A84G04

Additional styles available upon request. Contact your ABB sales representative or call +1-252-827-3212 for more information.

IEEE metering accuracy: 0.3Z

1VAP429591-DB October 2016 Rev. F

For more information please contact:

**ABB Inc.**  
**Medium Voltage Apparatus**  
 3022 NC 43 North  
 Pinetops, NC 27864  
 USA  
 Phone: +1 252 827 3212  
 Fax: +1 252 827 4286

[www.abb.com/mediumvoltage](http://www.abb.com/mediumvoltage)

**Note:**

The information contained in this document is for general information purposes only. While ABB strives to keep the information up to date and correct, it makes no representations or warranties of any kind, express or implied, about the completeness, accuracy, reliability, suitability, or availability with respect to the information, products, services, or related graphics contained in the document for any purpose. Any reliance placed on such information is therefore strictly at your own risk. ABB reserves the right to discontinue any product or service at any time.

Copyright 2005 ABB.  
 All rights reserved.