

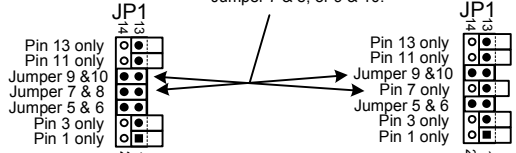
NOTES:

1. Prior to any installation in a classified hazardous location, verify installation methods by the Control Drawing referenced on the product's name tag.
2. To access the LevelMaster board, remove the enclosure top cover.
3. Only one host flow computer is allowed in this configuration.

Hazardous Area

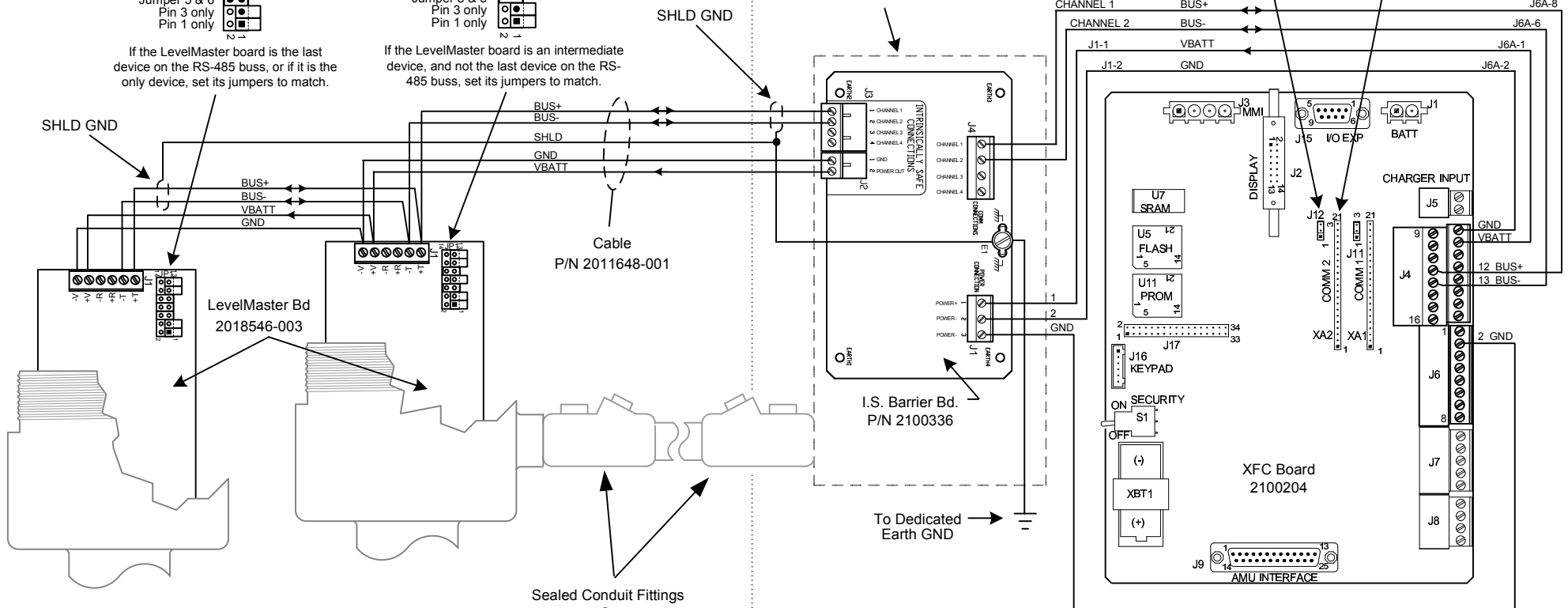
Non-Hazardous Area

EXCEPTION:  
If a B&B RS-485/232 Converter or a  
Totalflow RS-485/232 Converter Assy W/  
Cable (P/N 2100241-002) is used, Do Not  
Jumper 7 & 8, or 9 & 10.



If the LevelMaster board is the last device on the RS-485 buss, or if it is the only device, set its jumpers to match.

If the LevelMaster board is an intermediate device, and not the last device on the RS-485 buss, set its jumpers to match.



4. The RS-485 buss must be wired in a daisy-chain configuration. Star configurations are not allowed.
5. Maximum accumulated length for the RS-485 buss is 4000 feet, or a maximum of 10 LevelMaster units on the buss are allowed (without barriers), but not both. If barriers are used, the same holds true for 4 LevelMaster units.
6. The LevelMaster application must be instantiated in the XFC board by X-series setup software, such as PCCU32.

Sealed Conduit Fittings  
Or  
Approved Cable Fittings  
(Wiring shown outside of  
conduit for clarity)

REF: 2100448-WI

<b>ABB</b>	TOTALFLOW Products	ACTION	DOC TYPE	TITLE	DWG NO.	REV	SHEET
		L19023	UD	LEVELMASTER (2018546 BD) W/BARRIER TO XFC (2100204 BD) COMM 2 (RS-485)	2102854	AA	1 OF 1