

REVISIONS					
REV	ACTION	DRAWN	CHECKED	APPROVED	DATE
AD	D15739	KASTNER	KASTNER	BUSHNELL	04/05/04
AE	D20716	KASTNER	KASTNER	BUSHNELL	07/08/29
AF	D21646	KASTNER	KASTNER	BUSHNELL	08/03/20

CHARGER
REGULATOR
1489000-001
12V 8A
SCI#ASC-12/8A

MODEL
ELEK PCBA

6413/6414
XFC6213
XFC6413/6414
XFC6713/6714

2015333-XXX
2100204-XXX
2102838-XXX
XFC G4

6790

2017245-XXX
2015080-XXX

6713/6714

2015382-XXX

XRC6490/6890
XRC6790

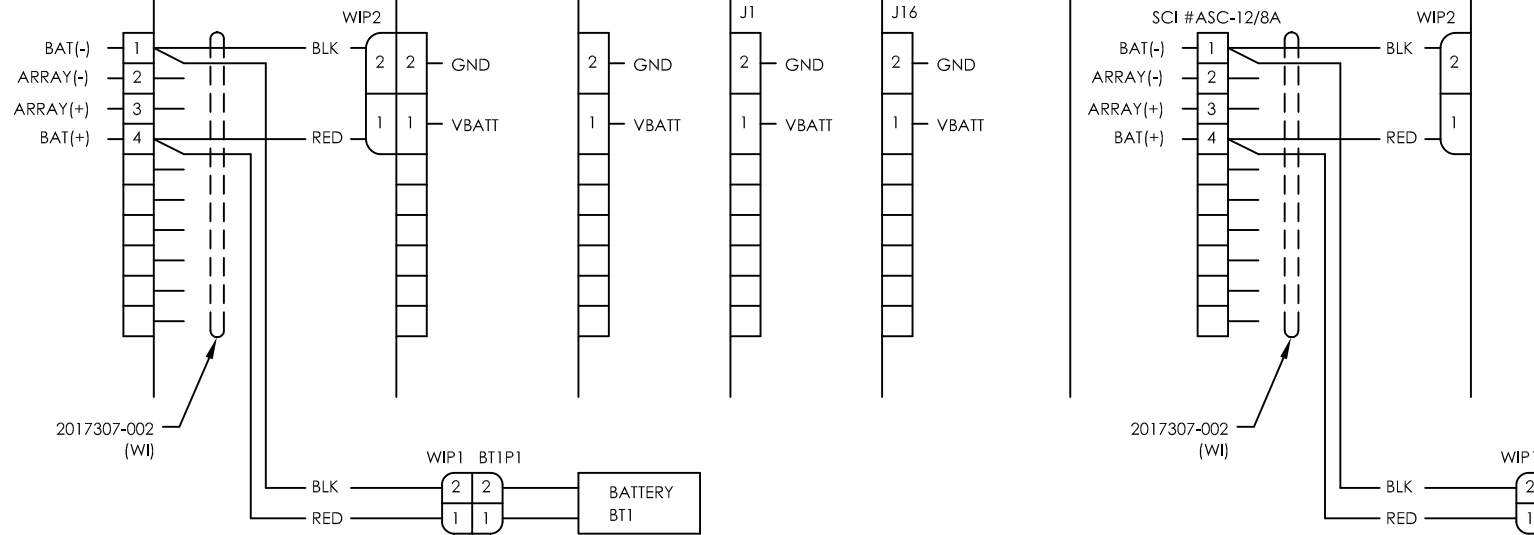
2100355-XXX

2103022-XXX
XRC G4

6270 OEU

CONNECT 2017307-002
TO SCI TERMINALS AS SHOWN

CHARGER REGULATOR
1489000-001
12V 8A



ASSEMBLY/QUANTITY		ITEM NO.	PART NUMBER	DESCRIPTION	REF/ZONE DESIG MATERIAL	UNIT MEAS
DO NOT SCALE DRAWING		UNLESS OTHERWISE SPECIFIED DIMENSIONS ARE IN INCHES		PRODUCT LINE TOTALFLOW®	LEVEL 3	ABB TOTALFLOW Products
THIRD ANGLE PROJECTION		TOLERANCES ARE: DECIMAL .XX ± - .XXX ± --		DESIGN G. HOLLAND	DATE 01/07	
		ANGULAR ± - BREAK ALL SHARP CORNERS AND EDGES DIMENSIONS APPLY BEFORE FINISH		DRAWN A. KASTNER	DATE 01/07/20	TITLE WIRING INTERCONNECT SCI CHGR REGULATOR IN FCU / RTU / LMC / OEU WI
				CHECKED A. KASTNER	DATE 01/07/20	
SCALE NONE	SIZE B	DWG TYPE WI	DRAWING NO. 2100491	REV AF	SHEET 1 OF 2	

CHARGER
REGULATOR
1489000-001
12V 8A
SCI#ASC-12/8A

MODEL
ELEK PCBA

LMC7100
I.S. BARRIER
PCBA
2100336-XXX

