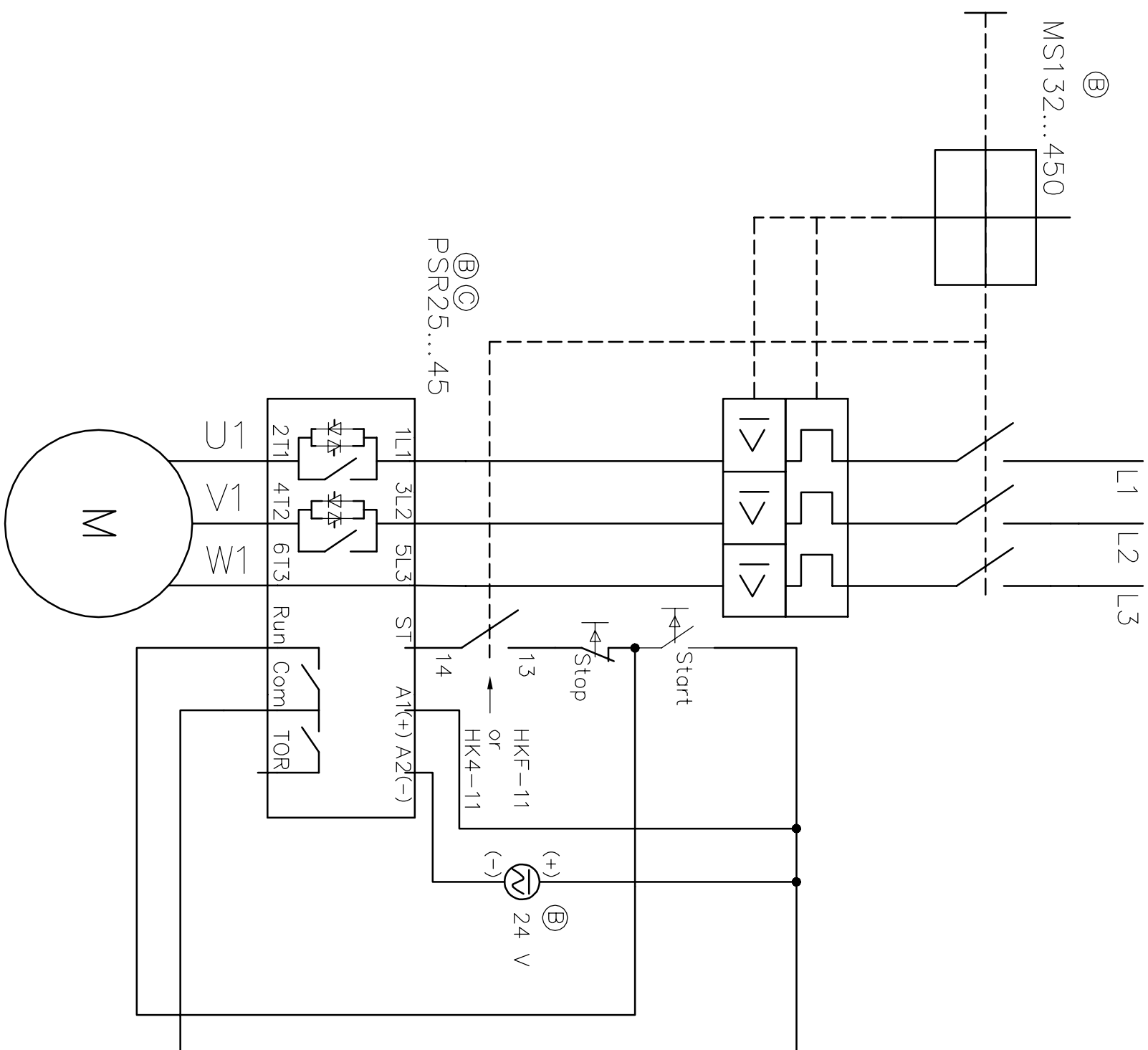


PSR25...45

©



Rev ind	Revision	Appd	Year	Week
C	PSR was PSR(C)	DW	2013	37
B	24V was 24V DC; MS132 was MS325; PSR(C) was PSR	DW	2013	11
A	Add accessory names and contact number	GJ	2006	30

Quantity	Item No.	Article No.	Material, type, etc	Dimensions	Name of item	Note
1		1P 10	RESPONSIBLE DEP			
	Hunter Lin	2013-9-13	SECRL/RE			
	Approved David Wikstrom		Take over dep CNILG/PT			
	Revision C		Scale 1:1			
			Document No.			
			1SFB536105G1011			
			ISSUED			

Application diagram PSR25...45

Lang: en

Cont: -

Sheet 1