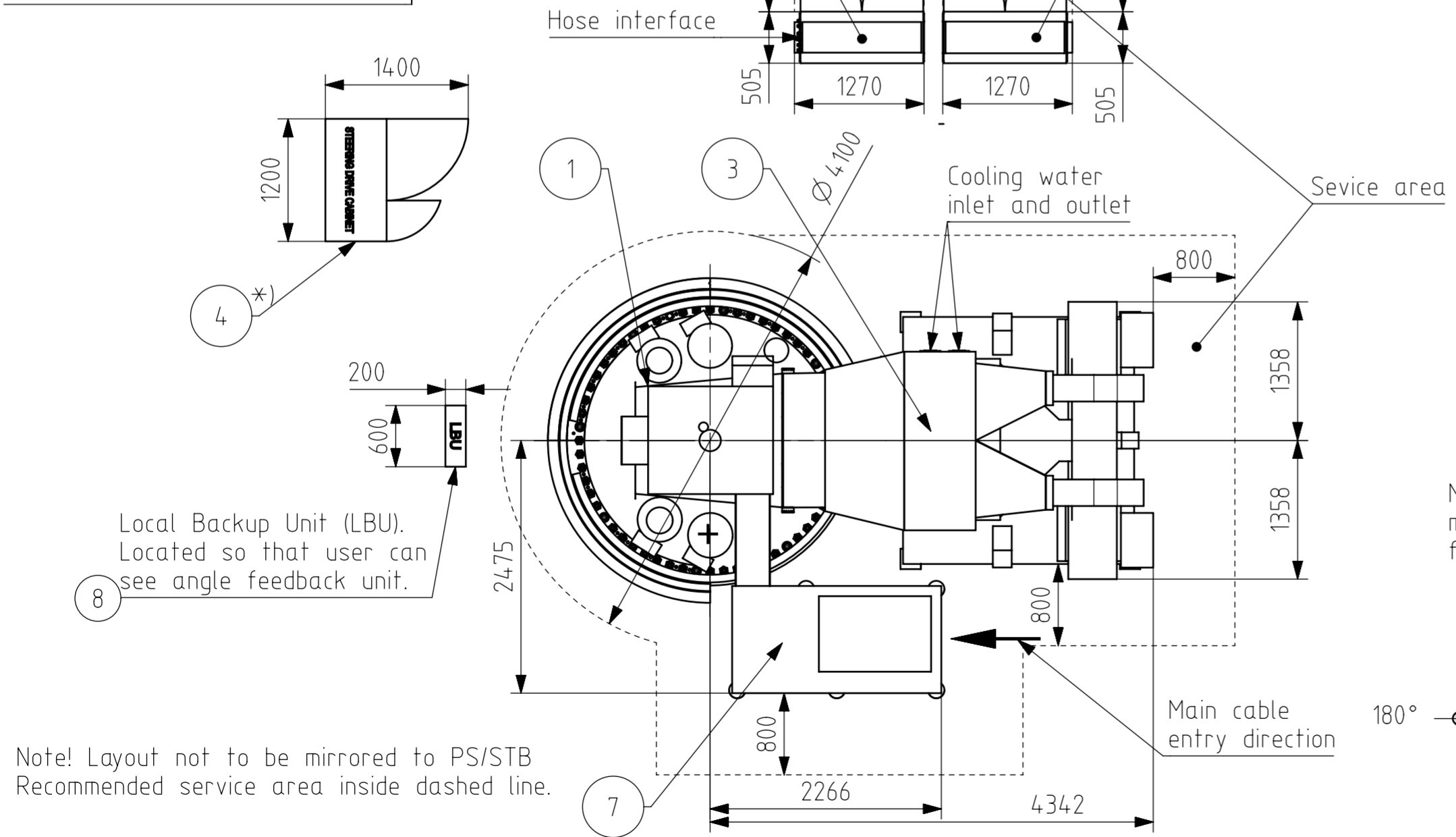
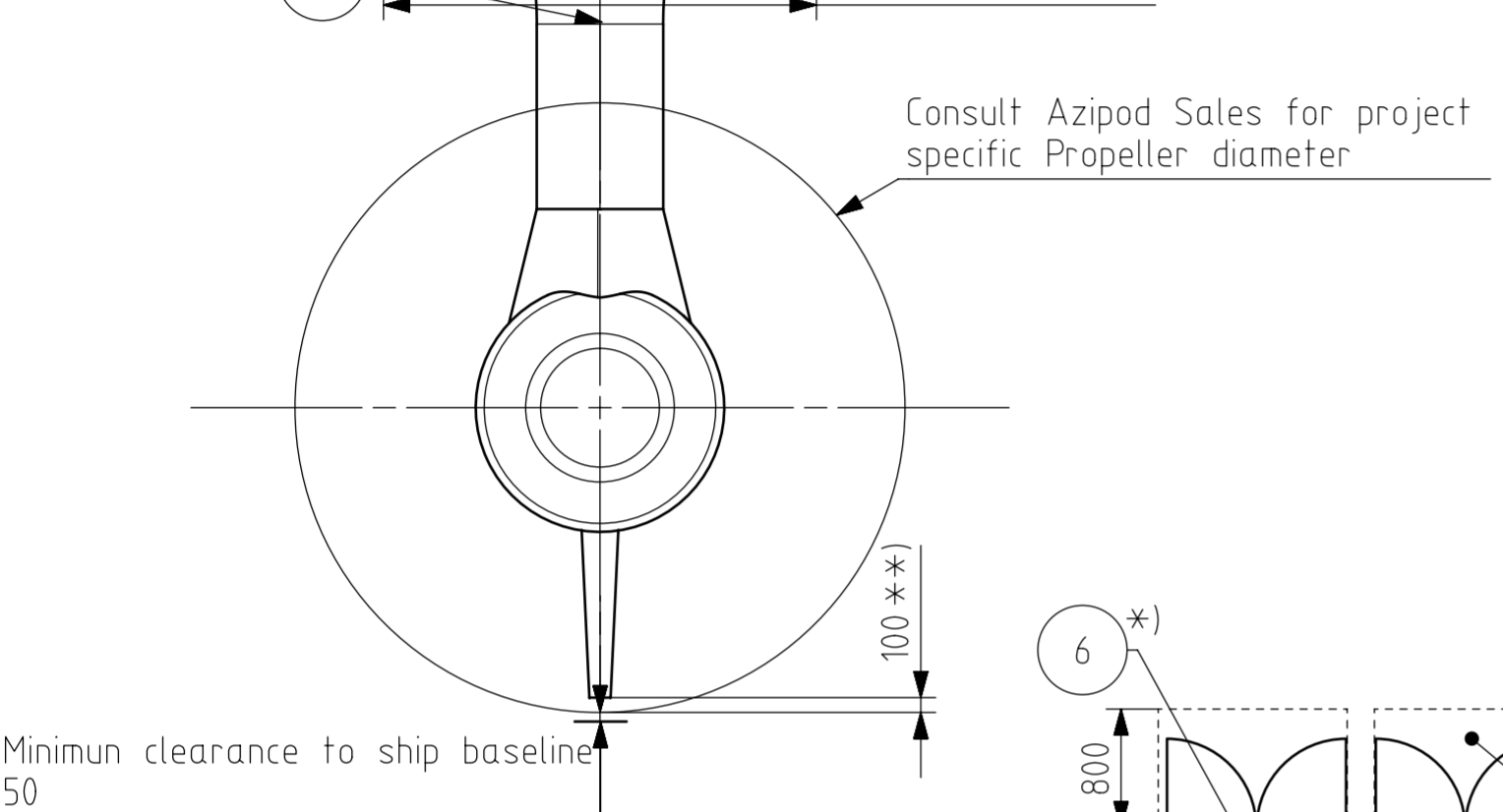
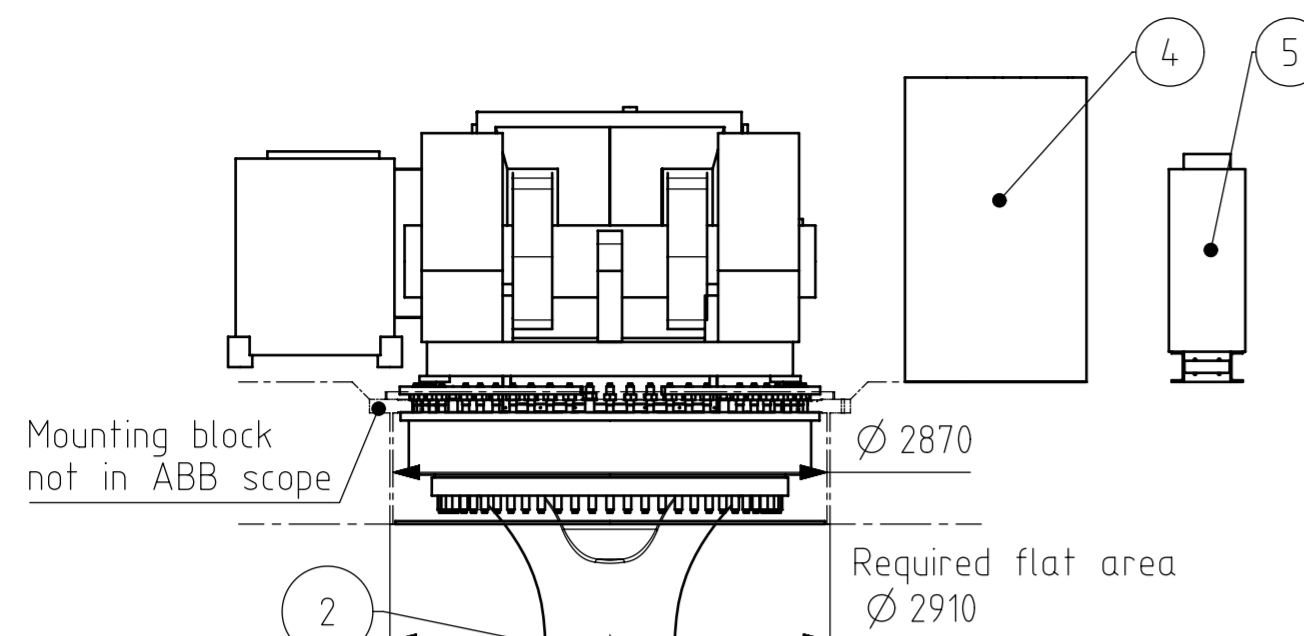
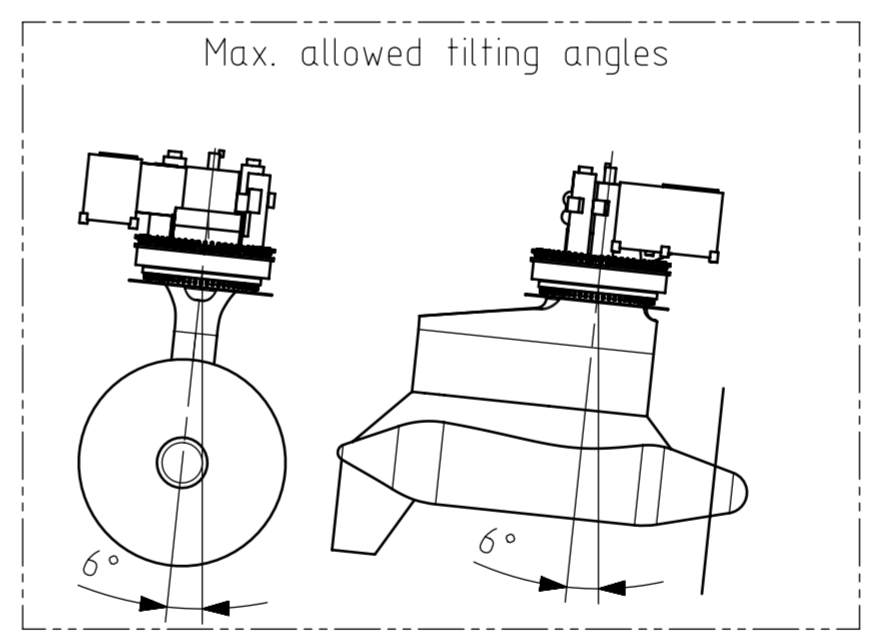
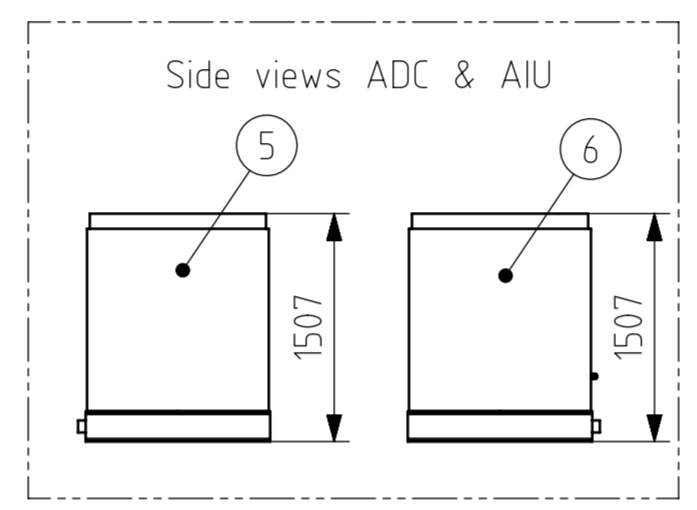


We reserve all rights in this document and in the information contained therein. Reproduction, use or disclosure for any purpose without express written permission of ABB is prohibited. In case of interpretation disputes the English text applies.
 Unless otherwise stated:
 General tolerances for welded constructions: EN ISO 9920-BF
 General tolerances for cast parts: EN ISO 9920-BF
 Stamped steel parts: DIN 9130-m, Thermal cut ISO 9013-331
 General tolerances for machining: ISO 2768-mk
 Surface roughness: Ra 3.2
 Symbols for roughness according to ISO 3302

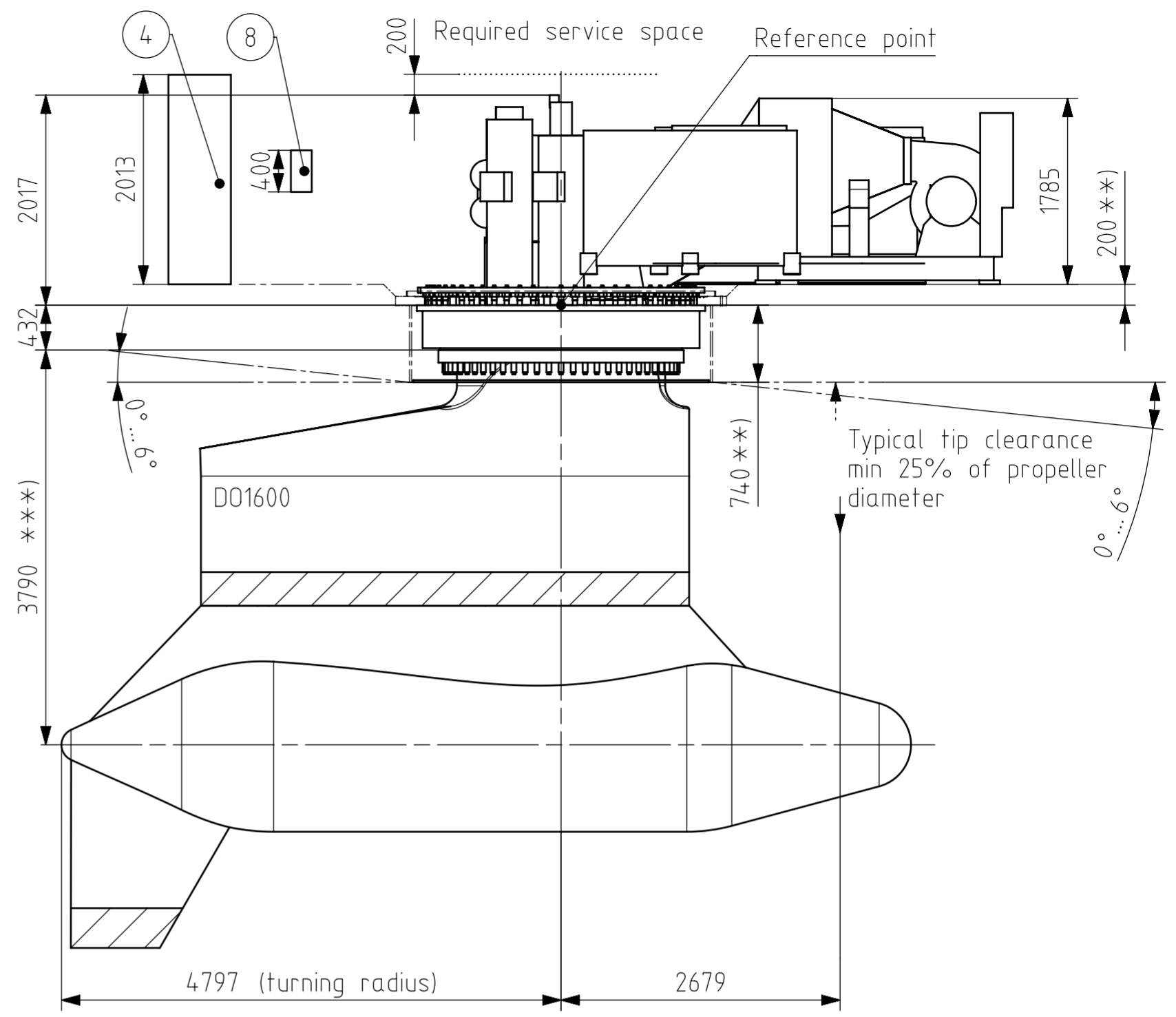
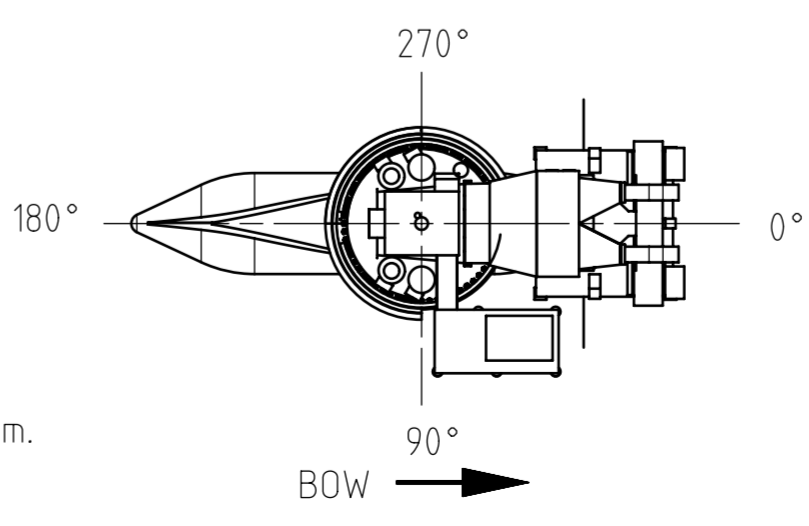


**) Consult Azipod Sales for other heights

***) Available Strut heights: 3790mm
Consult Azipod Sales for other heights



Mounting angle for steering module and CAU can be selected freely in 90° steps. 0° is standard.



Project specific structure

Number	Part	Weight [kg]
1	Steering module	14000
2	Propulsion module	78000
3	Cooling air unit (CAU)	4700
4	Steering drive cabinet	500
5	Azipod interface unit (AIU)	440
6	Auxiliary device cabinet (ADC)	460
7	Junction box (JB1)	1500
8	Local Backup Unit	30

PRELIMINARY
Not to be used for construction.

Note! Layout not to be mirrored to PS/STB
Recommended service area inside dashed line.

*) AIU and steering drive cabinets can be located freely inside Azipod room.
ADC cabinet can be located freely inside Azipod room as long as it is horizontally less than 5m from steering module and Max. vertical distance from shaftline to ADC cabinet is less than 6m.

Created 2019-08-15	Partanen, Milla	Document kind 27	Title MAIN DIMENSIONS	Scale 1:50
Reviewed 2019-11-19	Railo, Ville-Pekka	Responsible department VAX		
Approved 2019-11-19	Ruyck, Kasper De.	Based on		Language EN
Security level Internal	Our reference	Weight kg	Machine Type AZIPOD D01600P-S2300	Size A2
	Marine & Ports	Document id 3AFV3503236	Revision A	Sheet 1/1