

We reserve all rights in this document and in the information contained therein. Reproduction, use or disclosure to third parties without express authority is strictly forbidden. © ABB 19

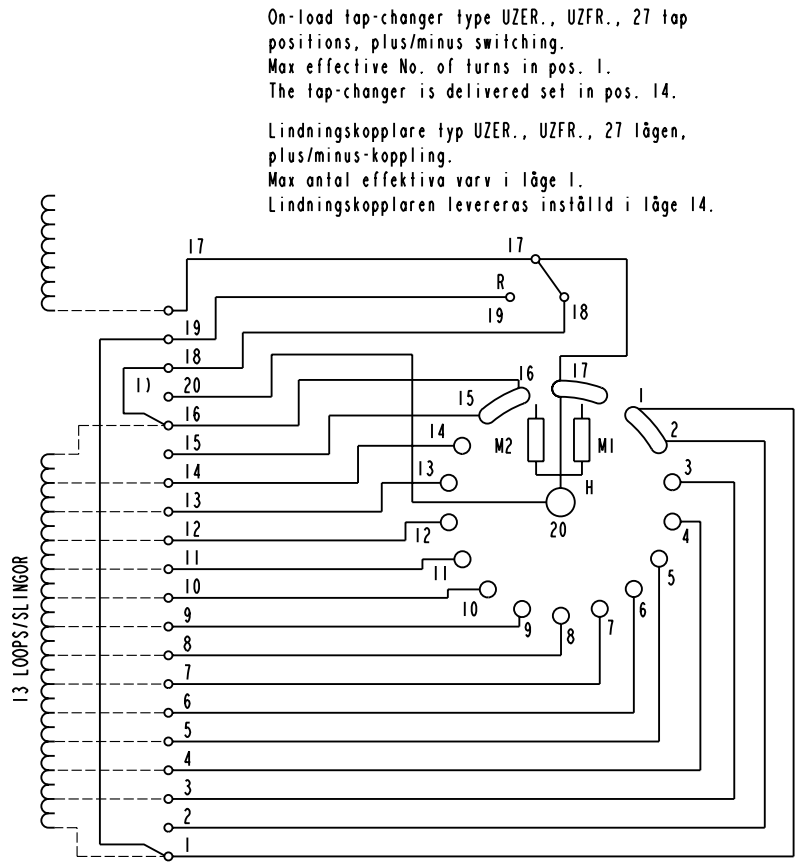
Pos. Lage	R connects förbinder	H connects förbinder
1		2-20
2		3-20
3		4-20
4		5-20
5		6-20
6		7-20
7		8-20
8		9-20
9	17-18	10-20
10		11-20
11		12-20
12		13-20
13		14-20
14A		15-20
14B		16-20
14		17-20
14C		1-20
14D		2-20
14E		3-20
15		4-20
16		5-20
17		6-20
18		7-20
19	17-19	8-20
20		9-20
21		10-20
22		11-20
23		12-20
24		13-20
25		14-20
26		15-20
27		15-20

A position with letter is a through position and gives the same voltage as the normal position.

Läge med bokstav är ett genomloppsläge och ger samma spänning som normalläget.

1) Connections between the terminals 20 of the three phases are included in the star-point type.

Förbindningar mellan uttag 20 i de tre faserna ingår i nollpunktsutförandet.

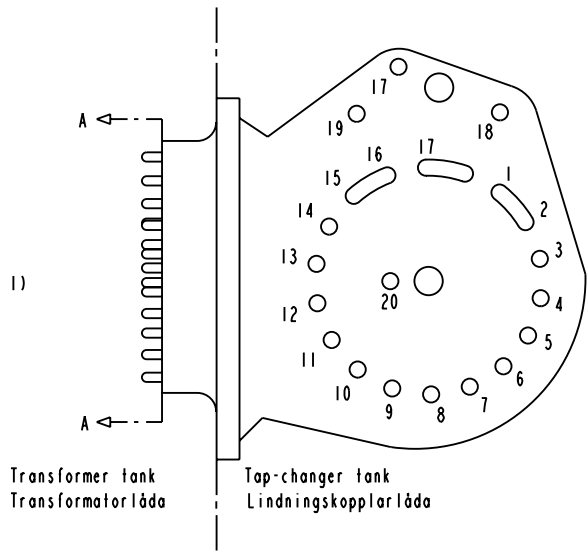
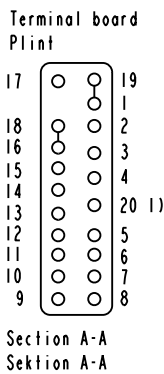


On-load tap-changer type UZER., UZFR., 27 tap positions, plus/minus switching. Max effective No. of turns in pos. 1. The tap-changer is delivered set in pos. 14.

Lindningskopplare typ UZER., UZFR., 27 lägen, plus/minus-koppling. Max antal effektiva varv i läge 1. Lindningskopplaren levereras inställd i läge 14.

The tap-changer is shown in pos. 14
Lindningskopplaren visad i läge 14

- R Change-over selector Plus/minus-omkopplare
- H Main contact Huvudkontakt
- M1, M2 Transition contacts Motståndskontakter



Sheet	Cont
Year	Week
Dept	
Rev	Appd
Year	Week
Design checked by	Design checked by
Issued by	Year
Week	

Rev	Appd	Year	Week
Accepted by	Description (English)		
R. Yngvesson	CONNECTION DIAGRAM		
Design checked by	Drawn by	Description (own language)	
B-O. Stenestam	L. Bergman	KOPPLINGSSHEMA	
Design checked by	Issued by	Year	Week
M. Hedlund	COM/TKO	97	33
		Asea Brown Boveri	
Lang	Sheet	File name	
	1	0394-10	
Rev	Cont		
	-		

5492 0394-10