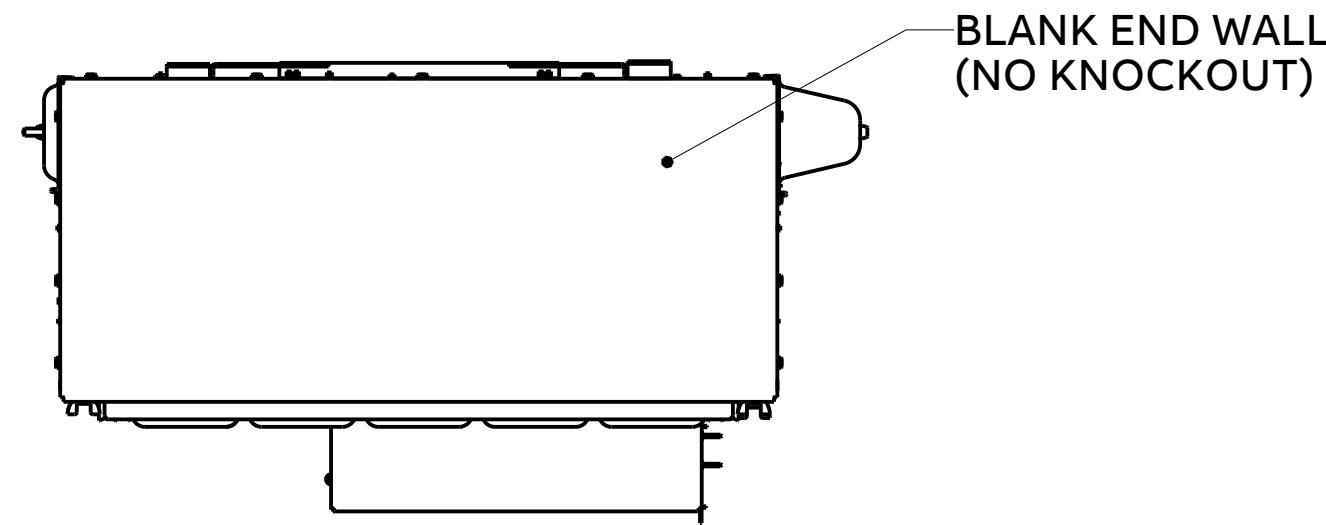
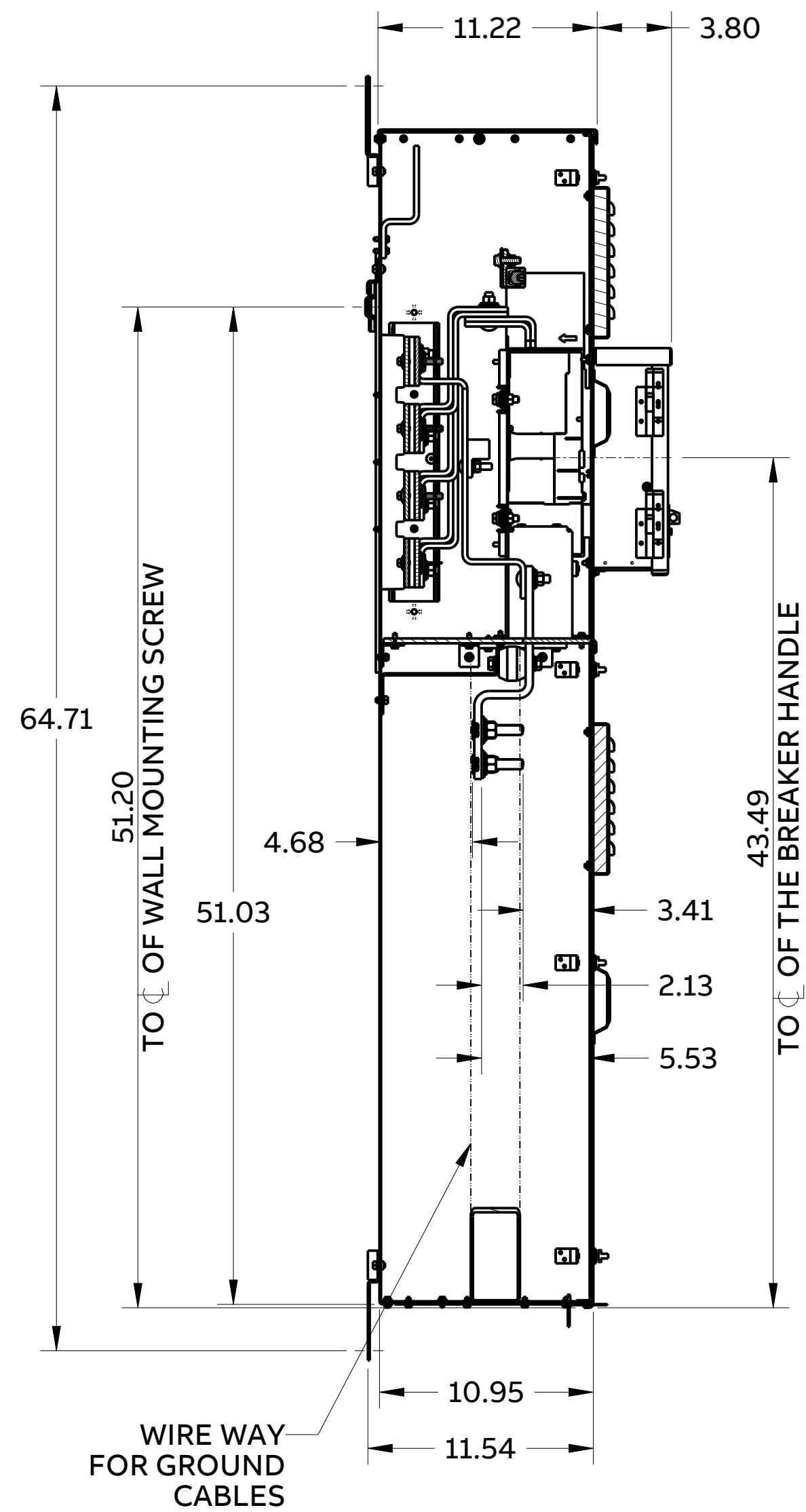


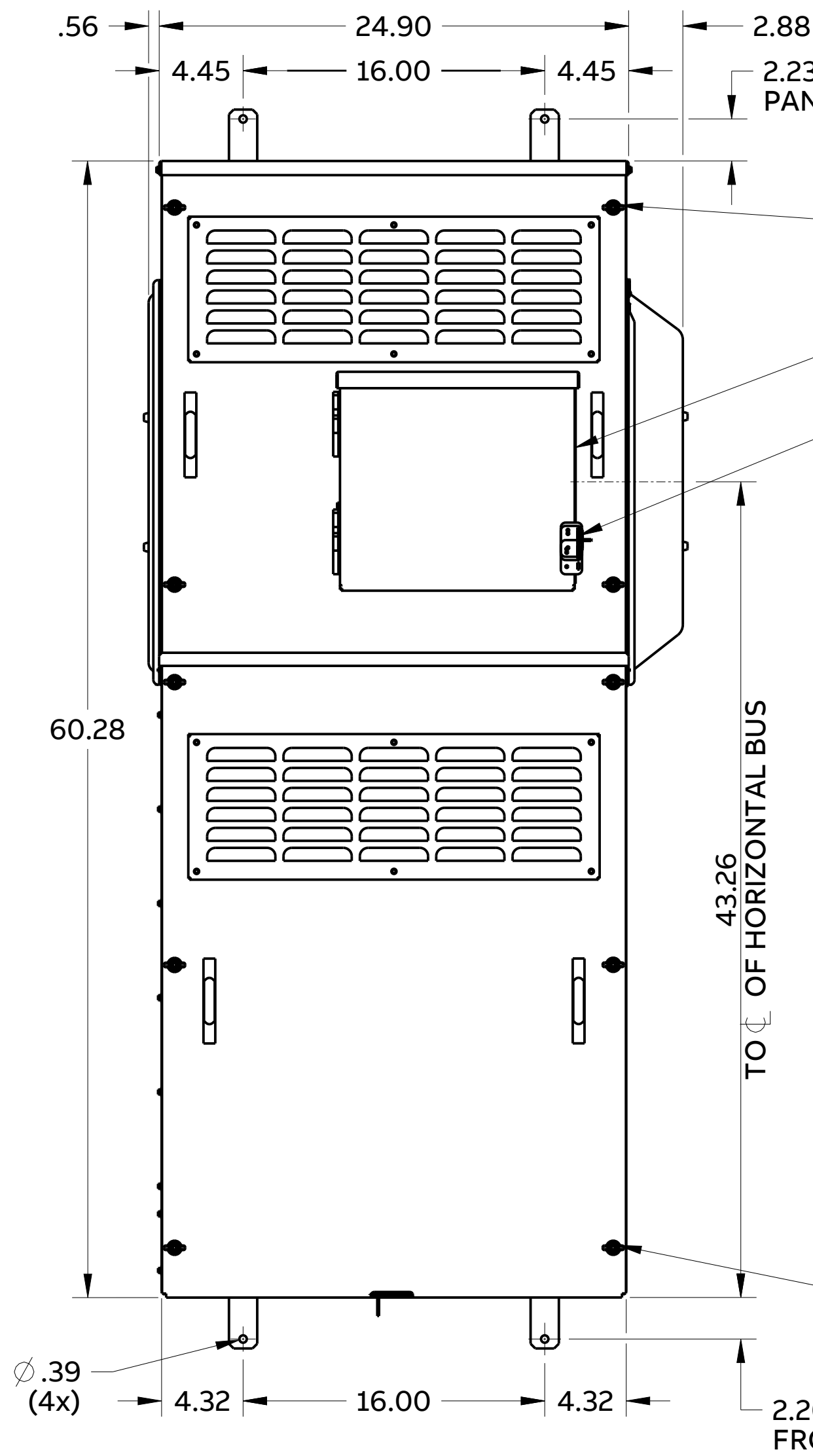
TOP VIEW



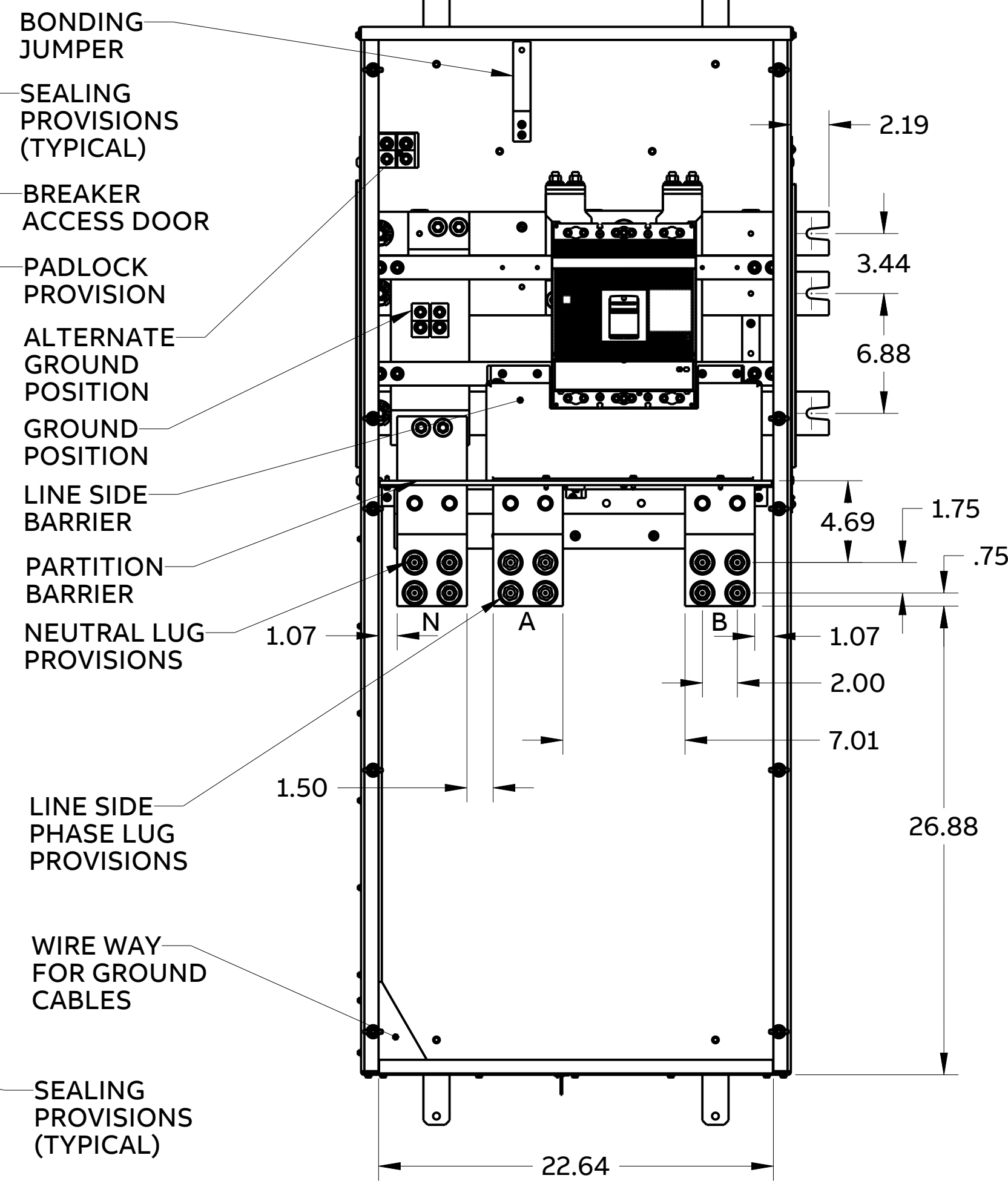
SECTIONAL SIDE VIEW



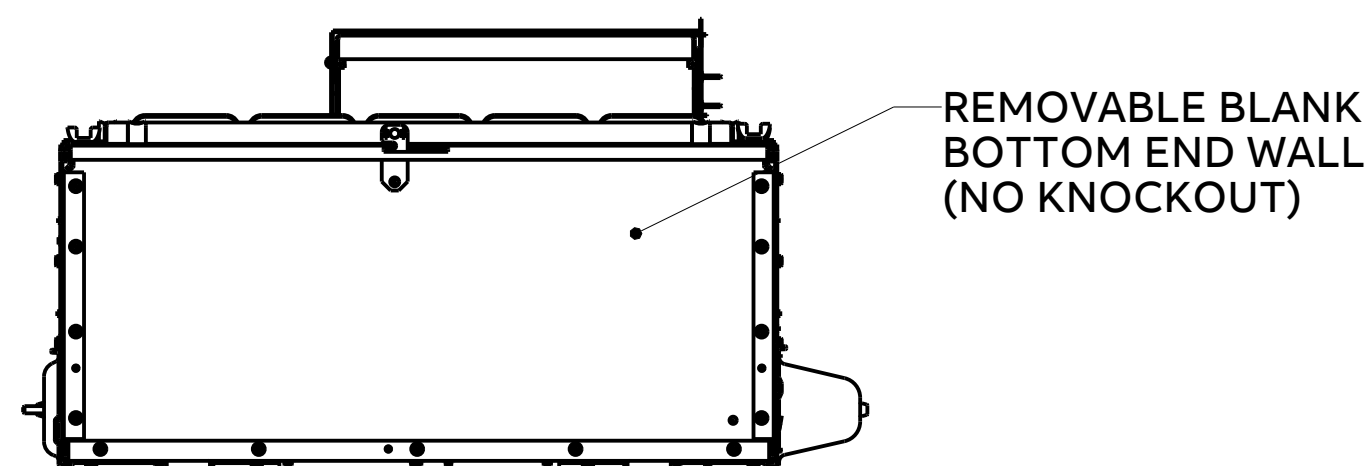
FRONT VIEW



FRONT VIEW (WITH OUT FRONT COVERS)



BOTTOM VIEW



Specification:

- Phase: 1-Phase 3-Wire
- Voltage: 120/240V
- Amperage: 800A
- Circuit Breaker Frame: XT6N
- Circuit Breaker Trip Unit: TMA
- Circuit Breaker kAIC: 65kA @ 240V
- Incoming Feed: Bottom Only
- Enclosure: N3R Outdoor
- Estimated Weight: 260 lbs
- Meets EUSERC Requirements, EUSERC Drawing Reference 315, 343, 347

Conductor Range:

- Phase lugs and neutral lugs not included, Landing Pad only.
- Landing Pad has provision for double hole lugs up to (2) 750kcmil Cu/Al.
- Ground Lugs: (2) #6-350 kcmil Cu/Al.

DIMENSIONS: INCH



SHEET#
1 of 1

CATALOG NO.
RMM1BEL8R



800A MAIN BREAKER MODULE
65kA 1PH 3W 120/240V N3R EUSERC

DATE
03-Aug-23

REV
A