

14

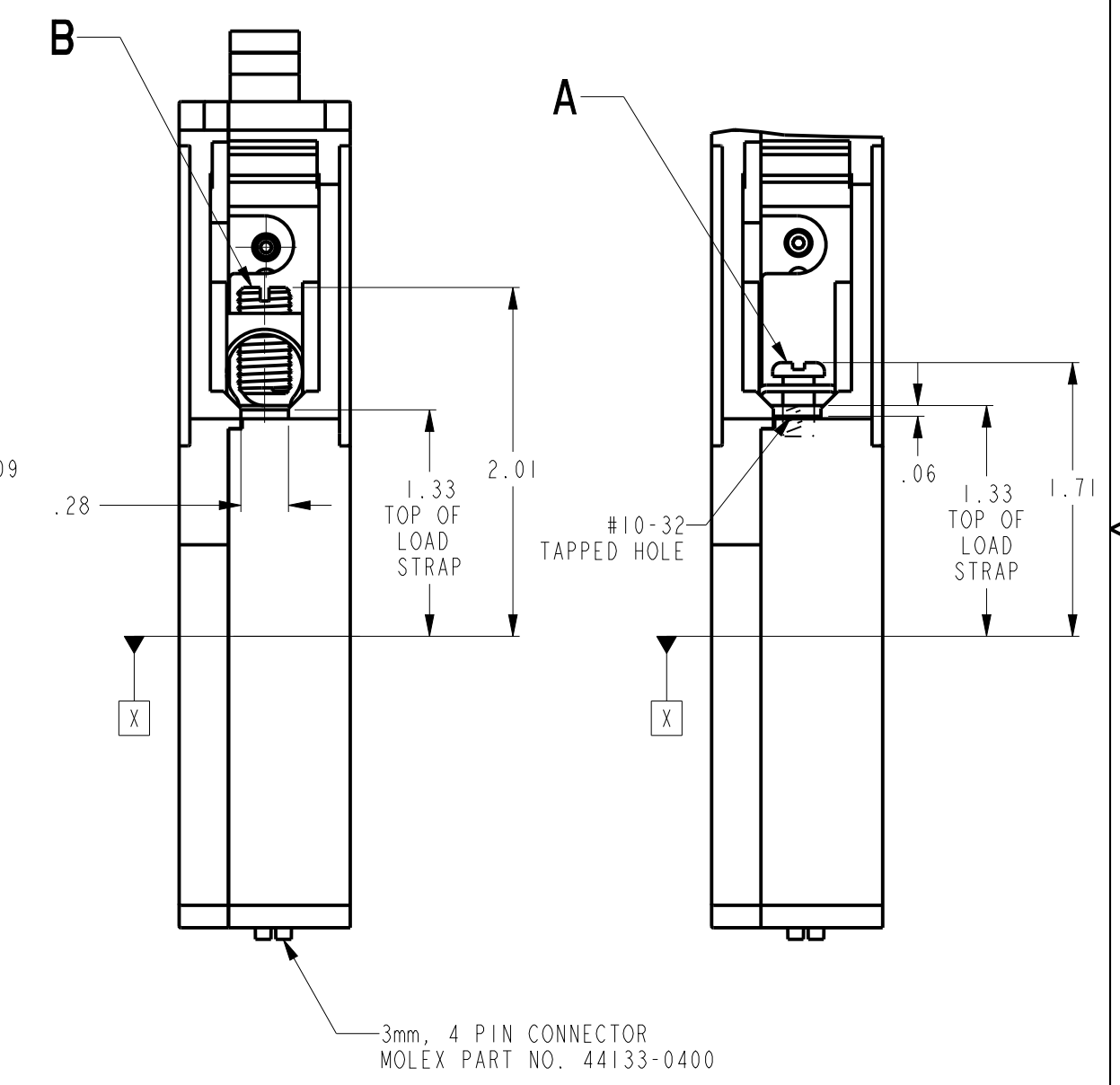
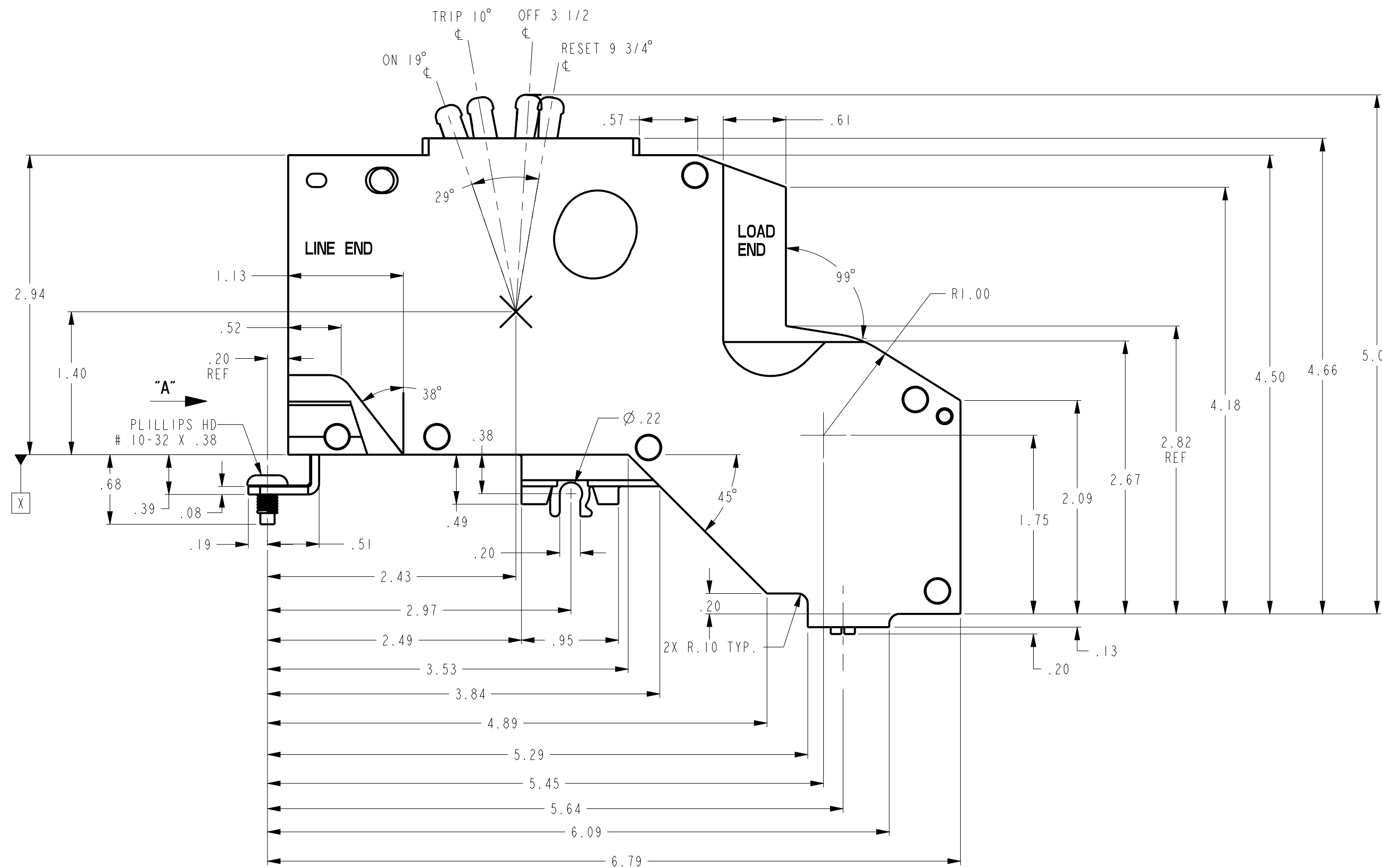
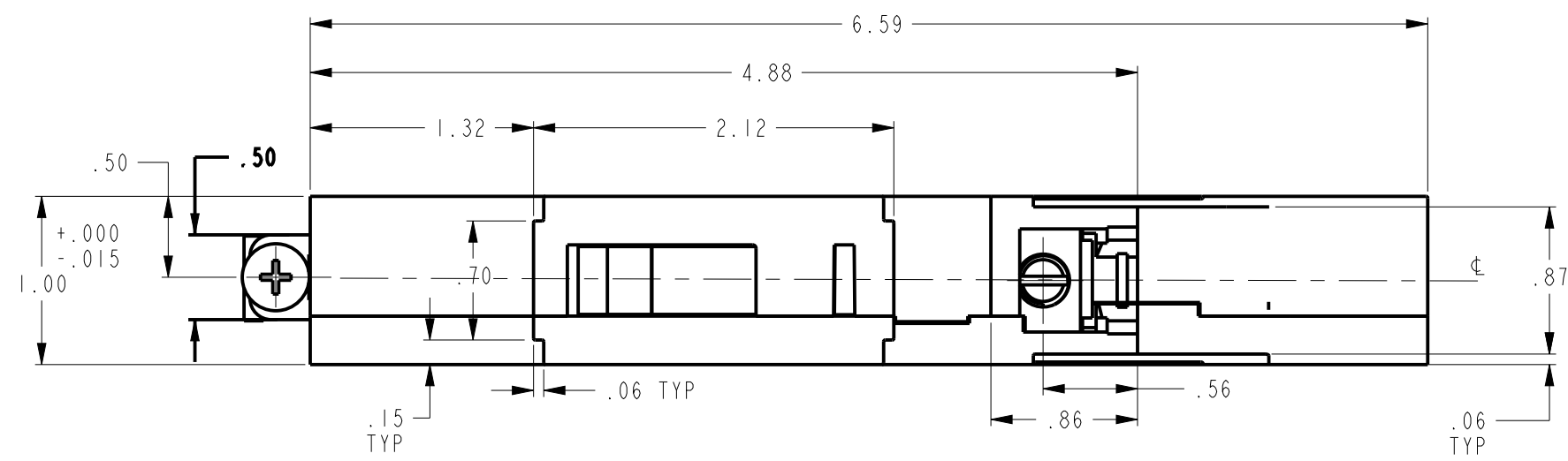
13

12

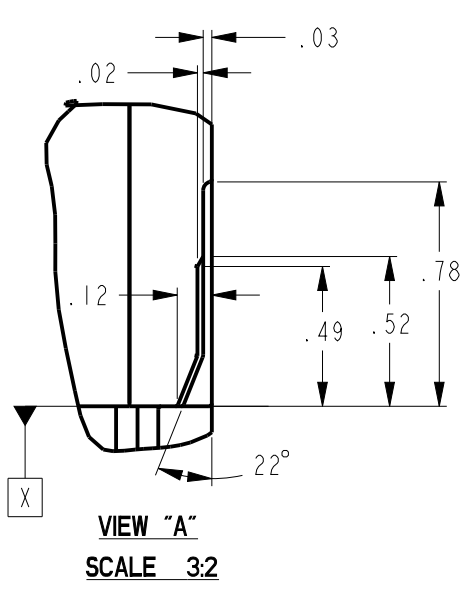
11

WIRE CONNECTOR	USED ON	WIRE RANGE		LOAD END LUG TORQUE TO WIRE	LINE END MOUNTING SCREW TORQUE
		CU	AL		
A (WIRE KEEPER)	15A-20A	#12-#14	#10-#12	#10 #12 - 35LB-IN #14	25-32LB-IN
B (LUG)	30A	#10-#6	#8-#4	#10 - 35LB-IN #8 - 40LB-IN #6, #4 - 45LB-IN	

NOMINAL HANDLE OPERATING FORCES (LBS)	
ON TO OFF	6.5
TRIP TO RESET	7.5
OFF TO ON	2.2



PV1



	Industrial Solutions	by ABB
OUTLINE 1 POLE ROCB		
THIRD ANGLE	SHEET#	DWG NO.
	1 of 1	10090819PV1
		DATE
		11/19
		REV
		3

14

13

12

11