

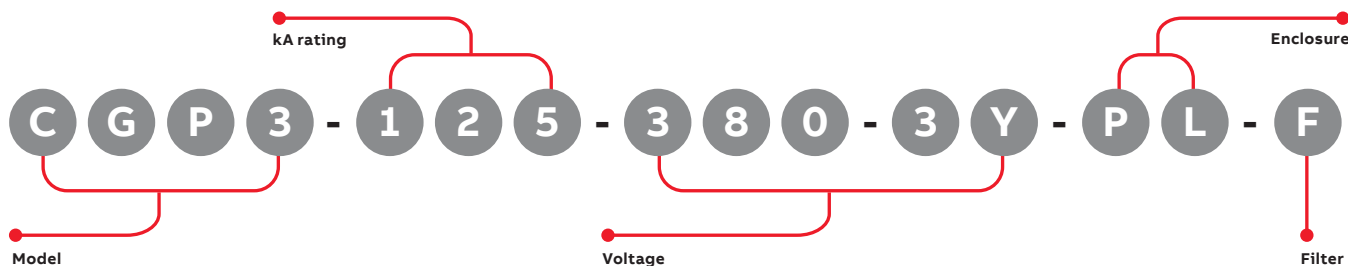
# CurrentGuard™ Plus series — CGP3-125

## Current Technology™ surge protective devices



### Product features

- UL Listed 1449 4th edition for Type 1 and Type 2 SPD applications
- Thermally protected MOVs provide superior protection and continuous operation
- 200 kAIC short circuit current rating allows direct bus connection without the need for an upstream over-current protection device
- Advanced monitoring is standard with surge counter, tri-color LEDs, dry relay contacts, audible alarm, alarm silence button and fault light
- UL 1283 EMI/RF filter available as an option
- DTS-2 compatible for proactive testing
- Compact and lightweight design
- 15-year standard warranty



### Model number scheme

| kA rating                         | Suffix |
|-----------------------------------|--------|
| 125 kA per mode, 250 kA per phase | 125    |

| Voltage (must choose one)                      | Suffix |
|--|--------|
| 120 V, 1-phase, 2-wire + ground                | 120-1G |
| 127 V, 1-phase, 2-wire + ground                | 127-1G |
| 220 V, 1-phase, 2-wire + ground                | 220-1G |
| 230 V, 1-phase, 2-wire + ground                | 230-1G |
| 240 V, 1-phase, 2-wire + ground                | 240-1G |
| 277 V, 1-phase, 2-wire + ground                | 277-1G |
| 347 V, 1-phase, 2-wire + ground                | 347-1G |
| 480 V, 1-phase, 2-wire + ground                | 480-1G |
| 240/120 V, 2-phase, 3-wire + ground            | 240-2G |
| 480/240 V, 2-phase, 3-wire + ground            | 480-2G |
| 600/347 V, 2-phase, 3-wire + ground            | 600-2G |
| 240Δ /120 V, 3-phase high-leg, 4-wire + ground | 240-3H |
| 208Y/120 V, 3-phase Wye, 4-wire + ground       | 208-3Y |
| 380Y/220 V, 3-phase Wye, 4-wire + ground       | 380-3Y |
| 400Y/230 V, 3-phase Wye, 4-wire + ground       | 400-3Y |
| 415Y/240 V, 3-phase Wye, 4-wire + ground       | 415-3Y |
| 480Y/277 V, 3-phase Wye, 4-wire + ground       | 480-3Y |
| 600Y/347 V, 3-phase Wye, 4-wire + ground       | 600-3Y |
| 208 V, 3-phase Delta, 3-wire + ground          | 208-3D |
| 240 V, 3-phase Delta, 3-wire + ground          | 240-3D |
| 380 V, 3-Phase Delta, 3-wire + ground          | 380-3D |
| 415 V, 3-phase Delta, 3-wire + ground          | 415-3D |
| 480 V, 3-phase Delta, 3-wire + ground          | 480-3D |
| 600 V, 3-phase Delta, 3-wire + ground          | 600-3D |

| Enclosure option                                 | Suffix |
|--|--------|
| Polycarbonate with termination lugs              | PL     |
| Powder-coated metal NEMA 4 with termination lugs | 4L     |
| Stainless steel NEMA 4X with termination lugs    | SL     |

| Filter option | Suffix |
|---------------|--------|
| 8 UF filter * | F      |
| No filter     | N      |

\* Standard filter

| Stand-alone option (must be ordered as separate line item) | Item no.     |
|--|--------------|
| Metal Disconnect   | CG3DISCMETAL |
| Stainless Steel Disconnect                                 | CG3DISCSTEEL |
| DTS-2 diagnostic test kit                                  | DTS          |

# Product specifications

## Electrical

|  |   |
|--|---|
| Maximum surge current rating           | 125 kA per mode, 250 kA per phase   |
| Nominal discharge current rating (L-N) | 20 kA   |
| Operating frequency                    | 47–63 Hz  |
| Connection method                      | Termination lugs for #10–#4 AWG conductor   |
| Modes of protection                    | All modes (L-N, L-G, N-G, L-L)  |
| Fault rating (SCCR)                    | 200 kAIC — no upstream over-current protection device (breaker or fuse) required                                    |
| Monitoring                             | Surge counter, tri-color LEDs (one per phase), dry relay contacts, audible alarm, alarm silence button, fault light |
| Repetitive surge current rating        | 3,000 impulses per mode based on actual test data (using ABSI/IEEE C642.41.1-2002 C3 combo wave)                    |
| Application                            | ANSI/IEEE C62.41.1 locations A, B and C ideal for distribution panels, branch panels and critical loads             |

## Mechanical

|                       |  |
|-----------------------|--|
| Installation location | Indoor or outdoor  |
| Mounting method       | Dual mounting flanges  |
| Operating environment | -40 °F to 149 °F (-40 °C to +65 °C) 5%–95% non-condensing humidity |
| Altitude              | 0–12,000 ft (3.66 km)  |
| Product design        | Individual thermally fused MOV technology                          |

## EMI/RFI filter attenuation

|                   |                                    |
|-------------------|------------------------------------|
| Mil Standard 220B | Up to 40 dB from 10 kHz to 100 MHz |
|-------------------|------------------------------------|

## Regulatory

|                                    |                      |
|------------------------------------|----------------------|
| cULus 1449 4th Edition             | VZCA: E316636 Type 1 |
| UL 1283 with filter option         | Yes                  |
| UL96A compliant                    | Yes                  |
| IEEE C62.62.41.1, C62.41.2, C62.45 | Yes                  |
| NFPA 70 (NEC), Article 285         | Yes                  |
| RoHs compliant                     | Yes                  |
| Listed by                          | UL                   |

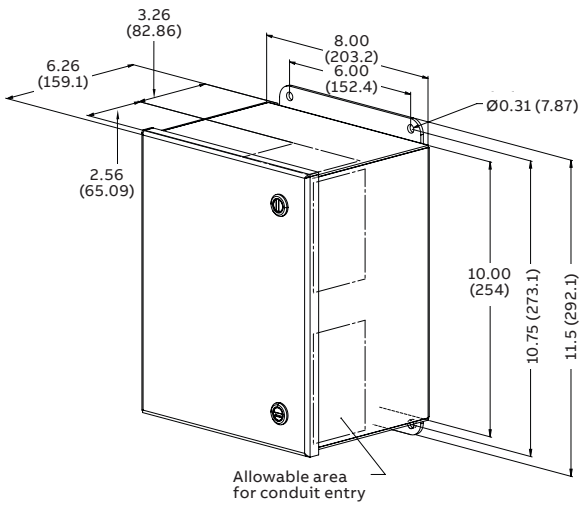
## Warranty

15 years

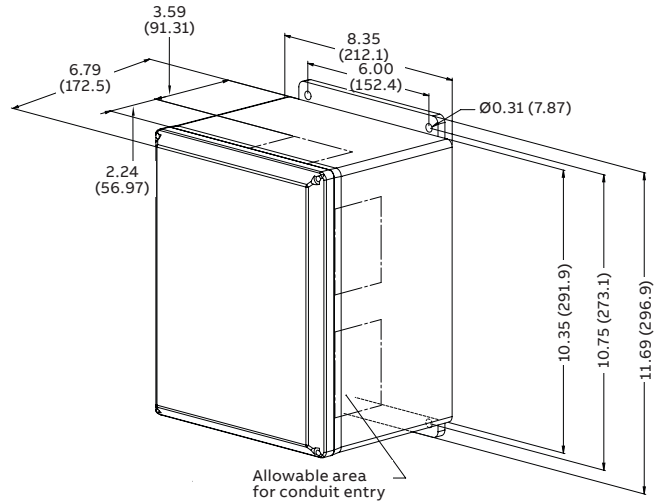
# Performance data

| Model no.       | System voltage | Protective mode | MCOV  | B3 ring wave, 6 kV, 500 A | B3/C1 combo wave, 6 kV, 3 kA | C3 combo wave, 20 kV, 10 kA | UL 1449 4th edition, 6 kV, 3 kA VPR |
|-----------------|----------------|-----------------|-------|---------------------------|------------------------------|-----------------------------|-------------------------------------|
| CGP3-125-120-1G | 120 V          | L-N             | 150 V | 293V                      | 579 V                        | 848 V                       | 600 V                               |
| CGP3-125-127-1G | 127 V          | L-G             | 150 V | 598 V                     | 666 V                        | 795 V                       | 600 V                               |
|                 |                | N-G             | 150 V | 626 V                     | 581 V                        | 950 V                       | 600 V                               |
| CGP3-125-220-1G | 220 V          | L-N             | 320 V | 297 V                     | 965 V                        | 1329 V                      | 1000 V                              |
| CGP3-125-230-1G | 230 V          | L-G             | 320 V | 920 V                     | 1047 V                       | 1288 V                      | 1200 V                              |
| CGP3-125-240-1G | 240 V          | N-G             | 320 V | 930 V                     | 981 V                        | 1370 V                      | 1000 V                              |
| CGP3-125-277-1G | 270 V          |                 |       |                           |                              |                             |                                     |
| CGP3-125-347-1G | 347 V          | L-N             | 420 V | 397 V                     | 1290 V                       | 1586 V                      | 1500 V                              |
|                 |                | L-G             | 420 V | 1200 V                    | 1322 V                       | 1535 V                      | 1500 V                              |
|                 |                | N-G             | 420 V | 1200 V                    | 1285 V                       | 1648 V                      | 1500V                               |
| CGP3-125-240-2G | 240/120 V      | L-N             | 150 V | 293 V                     | 579 V                        | 848 V                       | 600 V                               |
| CGP3-125-208-3Y | 208 Y/120 V    | L-G             | 150 V | 598 V                     | 666 V                        | 795 V                       | 600 V                               |
|                 |                | N-G             | 150 V | 626 V                     | 581 V                        | 950 V                       | 600 V                               |
|                 |                | L-L             | 300 V | 355 V                     | 907 V                        | 1195 V                      | 1000 V                              |
| CGP3-125-480-2G | 480/240 V      | L-N             | 320 V | 297 V                     | 965 V                        | 1329 V                      | 1000 V                              |
| CGP3-125-380-3Y | 380 Y/220 V    | L-G             | 320 V | 920 V                     | 1047 V                       | 1288 V                      | 1200 V                              |
| CGP3-125-400-3Y | 400 Y/230 V    | N-G             | 320 V | 930 V                     | 981 V                        | 1370 V                      | 1000 V                              |
| CGP3-125-415-3Y | 415 Y/240 V    | L-L             |       | 368 V                     | 1713 V                       | 2060 V                      | 1800 V                              |
| CGP3-125-480-3Y | 480 Y/277 V    |                 |       |                           |                              |                             |                                     |
| CGP3-125-600-2G | 600/347 V      | L-N             | 420 V | 397 V                     | 1229 V                       | 1586 V                      | 1500 V                              |
| CGP3-125-600-3Y | 600 Y/347 V    | L-G             | 420 V | 1200 V                    | 1321 V                       | 1535 V                      | 1500 V                              |
|                 |                | N-G             | 420 V | 1200 V                    | 1318 V                       | 1648 V                      | 1500 V                              |
|                 |                | L-L             | 690 V | 540 V                     | 2180 V                       | 2493 V                      | 2500 V                              |
| CGP3-125-240-3H | 240 Δ/120 V    | L-N             | 150 V | 293 V                     | 579 V                        | 848 V                       | 600 V                               |
|                 |                | H-N             | 320 V | 297 V                     | 1005 V                       | 1329 V                      | 1200 V                              |
|                 |                | L-G             | 150 V | 598 V                     | 666 V                        | 795 V                       | 600 V                               |
|                 |                | H-G             | 320 V | 920 V                     | 1000 V                       | 1047 V                      | 1200 V                              |
|                 |                | N-G             | 150 V | 626 V                     | 581 V                        | 950 V                       | 600 V                               |
|                 |                | L-L             | 300 V | 355 V                     | 907 V                        | 1195 V                      | 1000 V                              |
|                 |                | H-L             | 470 V | 590 V                     | 1283 V                       | 1813 V                      | 1500 V                              |
| CGP3-125-208-3D | 208 V          | L-G             | 320 V | 598 V                     | 1021 V                       | 795 V                       | 1200 V                              |
| CGP3-125-240-3D | 240 V          | L-L             | 320 V | 355 V                     | 907 V                        | 1195 V                      | 1000 V                              |
| CGP3-125-415-3D | 415 V          | L-G             | 552 V | 920 V                     | 1508 V                       | 1288 V                      | 1800 V                              |
| CGP3-125-480-3D | 480 V          | L-L             | 640 V | 368 V                     | 1777 V                       | 2060 V                      | 1800 V                              |
| CGP3-125-600-3D | 600 V          | L-G             | 690 V | 1200 V                    | 2203 V                       | 1535 V                      | 2500 V                              |
|                 |                | L-L             | 690 V | 540 V                     | 2203 V                       | 2493 V                      | 2500 V                              |

# Dimensions



125 kA metal enclosure with lugs  
Enclosure option ML



125 kA polycarbonate enclosure with lugs  
Enclosure option PL

All measurements in inches (millimeters).

| kA  | Enclosure type | Pre-wired | Weight in lbs | Weight in kg |
|-----|----------------|-----------|---------------|--------------|
| 125 | Metal          | No        | 16            | 7.26         |
| 125 | Polycarbonate  | No        | 10            | 4.54         |

ABB Inc.  
860 Ridge Lake Blvd.  
Memphis, TN 38120  
USA

We reserve the right to make technical changes or modify the contents of this document without prior notice. With regard to purchase orders, the agreed particulars shall prevail. ABB Inc. does not accept any responsibility whatsoever for potential errors or possible lack of information in this document

We reserve all rights in this document and in the subject matter and illustrations contained therein. Any reproduction, disclosure to third parties or utilization of its contents – in whole or in parts – is forbidden without prior written consent of ABB Inc. Copyright © 2021 ABB