

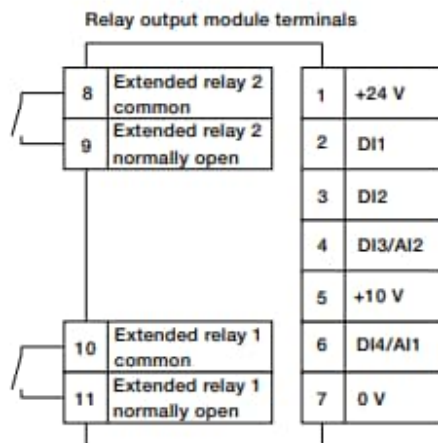
Technical Note 88

RCRO ACS255/205 Compatibility

This document will provide information about compatibility with the RCRO relay output module on the ACS255/250 drives.

This document discusses the RCRO relay output module for the ACS255/250 drives and the drives they are compatible with.

The RCRO-01 is a relay output module that mounts onto the ACS255/250 drives. The relay output module attaches to pins 1-11 on the control terminal block of the ACS255/250 drive. Note! The relay output module replaces the analog output function the ACS255/250. The analog output is no longer available when using the relay output module.



This module RCRO-01 is not compatible with the NEMA-4X variant drive (+B058) as when you take off the cover and install the module, the cover will not fit back on. The RCRO-01 is compatible with all other variants of ACS255/250 drives.

For more information see the manuals below.

- ACS255 user manual [3AXD10000528266](#)