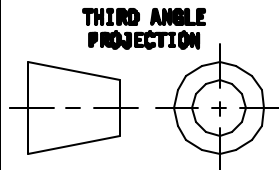


NOTES:

- 1 EXTERNAL 12 VDC POWER SWITCHED ON/OFF BY OPER (OPERATE) LINE OF RTU
- 2 TERMINATION RESISTOR OR JUMPERS ON LAST UNIT ONLY.
- 3 GRA WIRE NOT NECESSARY.
- 4 JUMPER NOT NEEDED ON RS485 MODEM INTERFACE

| REVISIONS |        |           |           |          |          |
|-----------|--------|-----------|-----------|----------|----------|
| REV       | ACTION | DRAWN     | CHECKED   | APPROVED | DATE     |
| AA        | L5106  | ROBERTSON | ROBERTSON | HOLLAND  | 97/12/03 |
| AB        | D5489  | TIERNEY   | TIERNEY   | HOLLAND  | 98/04/01 |
| AC        | D12471 | KASTNER   | KASTNER   | HOLLAND  | 02/01/03 |

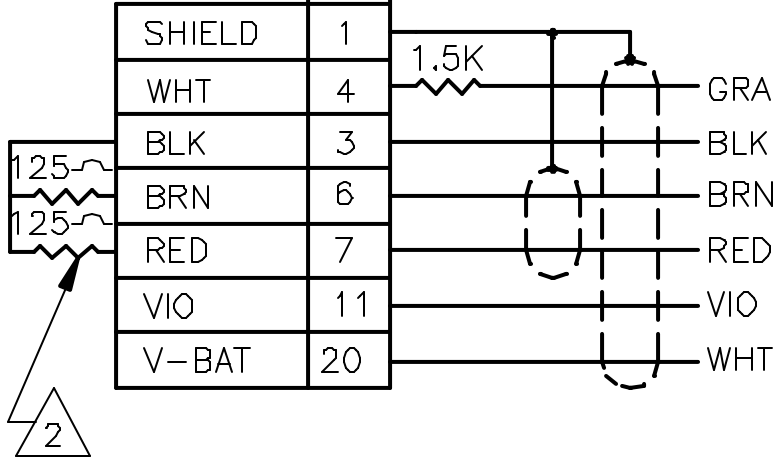
| ASSEMBLY/QUANTITY  | ITEM NO. | PART NUMBER   | DESCRIPTION | REF/ZONE DESIG MATERIAL  | UNIT MEAS |
|--|----------|---|-------------|--|-----------|
| PARTS LIST   |          |   |             |  |           |
| <b>DO NOT SCALE DRAWING</b><br> <p>THIRD ANGLE PROJECTION</p> |          | <b>UNLESS OTHERWISE SPECIFIED DIMENSIONS ARE IN INCHES</b><br><b>TOLERANCES ARE:</b><br>DECIMAL                      ANGULAR<br>.XX ± ---                      ± ---<br>.XXX ± ---- |             | <b>PARENT LINE</b><br><b>TOTALFLOW®</b> <b>LEVEL</b><br><b>3</b><br><b>DESIGNED BY</b> G. HOLLAND                      97/12/3<br><b>DRAWN BY</b> B. ROBERTSON                      97/11/10<br><b>CHECKED BY</b> B. ROBERTSON                      97/12/03<br><b>APPROVED BY</b> G. HOLLAND                      97/12/3 |           |
|  |          | <b>ABB</b> <b>TOTALFLOW Products</b><br><b>TITLE</b><br><b>WIRING INTERCONNECT</b><br><b>RS485 MI TO RTU PCBA (6790)</b><br><b>WI</b>   |             | <b>SCALE</b> <b>SIZE</b> <b>REV</b> <b>DRAWING NO.</b> <b>REV</b> <b>SHEET</b><br>NONE    B    WI                      2018123    AC    1 of 2   |           |

66XX/6790 RTU

RTU PCBA

- 2011722 -002/004/006
- 2012692 -002/004/006

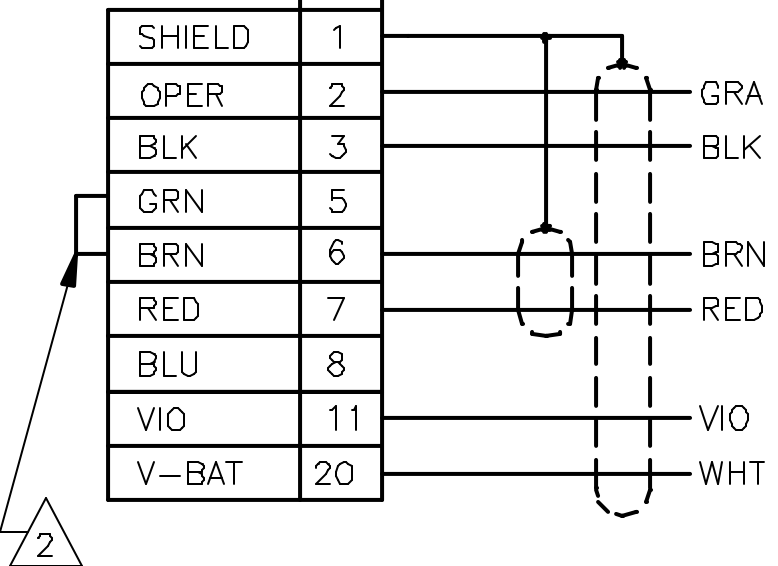
TERM PCBA  
2010232-004



RTU BD

- 2015080 -001
- 2017245 -001

TERM PCBA  
2010232-004



POWER FROM RTU

EXT POWER SUPPLY

• SWITCHED POWER

• CONTINUOUS POWER

• SWITCHED POWER

• CONTINUOUS POWER

- RS485 MODEM INTERFACE 2017273-001
- MODEM UCI ASSY 2012630-006/008

- RS485 MODEM INTERFACE 2017273-001
- MODEM UCI ASSY 2012630-006/008

- RS485 MODEM INTERFACE 2017273-001
- MODEM UCI ASSY 2012630-006/008

- RS485 MODEM INTERFACE 2017273-001
- MODEM UCI ASSY 2012630-006/008

