

EDP300, TZIDC & AV Valve Positioners Mounting Kits

Measurement made easy

Introduction

A mounting Kit is required to attach a valve positioner to an actuator. This document includes FAQs and lists of mounting kits available to support ABB's EDP300 & TZIDC Intelligent Valve Positioners and the AV positioners.

Having a universal design, the EDP300 and TZIDC are, easy-to-use, state-of-the-art digital valve positioners and can be attached to any manufacturer's make, model, or size of Linear Valve Actuator or Rotary Valve Actuator through the appropriate selection of mounting hardware. Also shown are Mounting Kits for the ABB (Bailey) AV Series of Conventional Valve Positioners.

The EDP300 and TZIDC Positioners share the same mounting design pattern so a particular Mounting Kit can be used with either. The Model TZIDC is the ABB standard digital valve positioner providing a host of features and diagnostics along with an economical price to cover most applications, while the Model EDP300 is ABB's latest, highest-performance, most sophisticated valve positioner distinguished from the TZIDC by being able to accept higher supply pressures, provide higher air delivery capacity to the Actuator, and having sophisticated pressure-sensor-based advanced diagnostics.

Custom solutions

The attached list shows existing EDP300 / TZIDC Mounting Kits for all of the most popular and commonly used Valve Actuators from the leading manufacturers, and it's also possible for ABB to design and provide new and customized solutions as needed. This list will continue to expand as more mountings kits are introduced.



FAQs – Frequently Asked Questions

Question: What is the purpose of a Mounting Kit and why do I need one?

Answer:

In order for a Valve Positioner to control an Actuator, it must be physically attached to the Actuator. The function of a Mounting Kit is to physically secure the Valve Positioner to the Valve Actuator, and to translate the full stroke / motion of the Valve Actuator to the Feedback Shaft of the Valve Positioner.

Question:

How do I select the correct mounting hardware for the TZIDC or EDP300 Positioner?

Answer:

Determine the manufacturer and model/size of the Valve Actuator and locate the part number for the ABB mounting kit from the attached Mounting Kit List.

Question:

What if the Valve Actuator and Mounting Kit that I need does not appear on the Mounting Kit List?

Answer:

Consult ABB who can assist with designing and providing a new Mounting Kit for your application. In this case, ABB will often ask for photos of the customer's particular Valve Actuator, and if the Valve Actuator is of the Linear type, you can tell us the key dimensions of the Valve Actuator by referring to and filling the attached drawing - US Style Globe Valve Linear Actuators - Drawing number B-SD-10-5072. If the Valve Actuator is of the Rotary Type, also attached is a drawing / worksheet where you can tell us the key dimensions so that ABB can design and provide a solution.

Question:

Why are multiple kits offered in some of the cases for the same Actuator?

Answer:

For several of the Valve Actuators, there is more than one kit listed, i.e. there is more than one mounting solution available. In those cases, the Mounting Kits are coming from different ABB factories. Mounting Kits starting with the letter "B" in their part number come from ABB in Canada. Mounting Kits starting with "795" or "319" in their part number come from ABB in Germany. Most all the others come from ABB in the USA. Use your local country solution when available.

Question:

What is the difference between a Linear and a Rotary Valve Actuator?

Answer:

A Linear Valve Actuator moves in a linear manner and contains a sliding Stem to which the Valve Positioner would pick up to. In this case the Positioner Mounting Kit would typically consist of a Positioner Bracket, a Lever Arm which is attached to the Positioner's Feedback Shaft, and Linkage to connect the Lever Arm to the Stem of the Actuator. A Rotary Valve Actuator moves in a rotational manner typically through 90 degrees of travel. In this case the Positioner Mounting Kit would typically consist of a Positioner Bracket, and a Coupling to connect the Positioner's Feedback Shaft to the Actuator.

FAQs – Frequently Asked Questions

(Continued)

Question:

Would ABB attach the Positioner to the Actuator for me?

Answer:

No, because ABB does not manufacture Valve Actuators. Our specialty is in automating Valve Actuators with Positioners, this is an industry known as valve automation. Depending upon the job and circumstances, in some cases the Valve Manufacturer might attach the Positioner to their Actuator, in other cases this might be done by an OEM or Sales Representative or Third-Party who is providing a Control Valve package to the client.

Question:

What do the terms NAMUR and VDI/VDE 3845 mean?

Answer:

These terms refer to industry standards related to valve automation that define how an Accessory like a Positioner is to be attached to the Actuator. When an Actuator conforms to these standards, it makes the task of attaching a Positioner much easier and simpler.

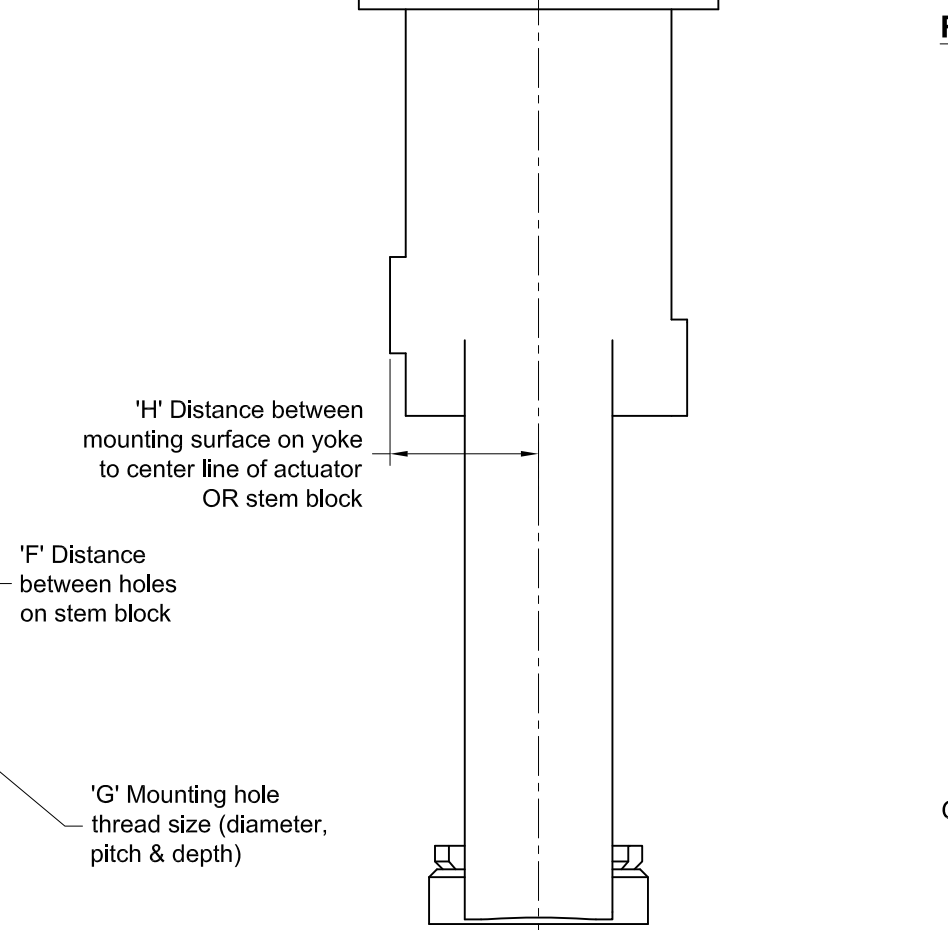
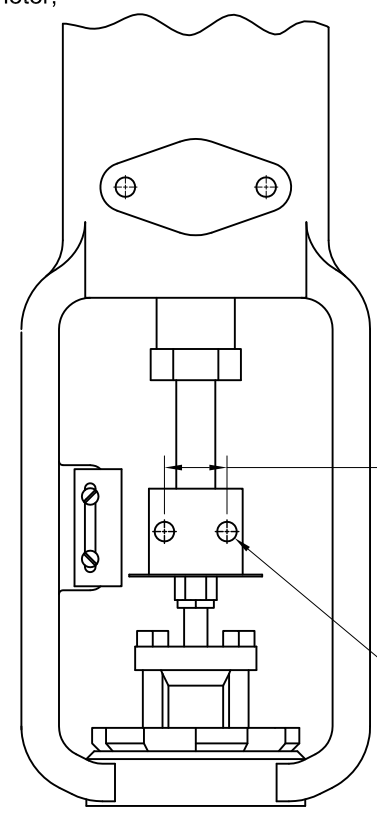
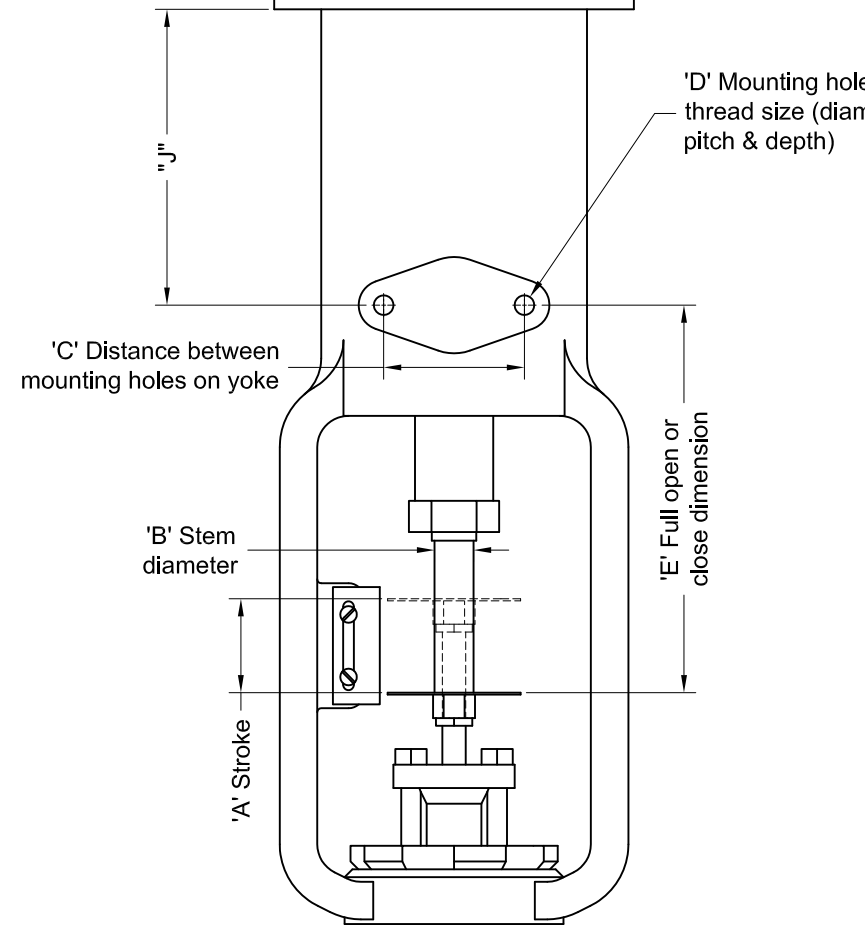
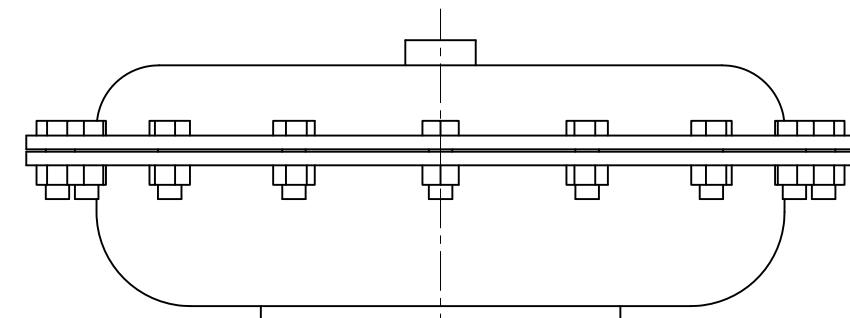
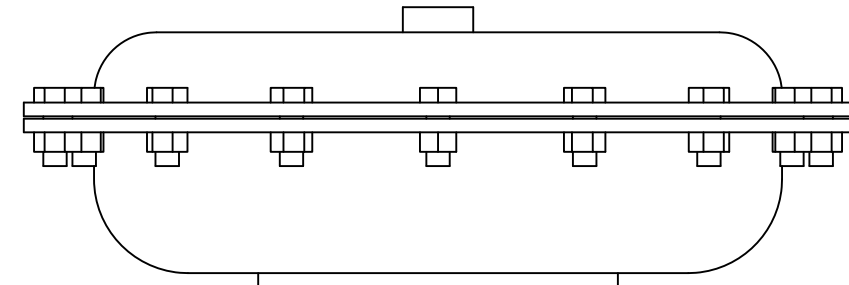
Attached in this document...

- “Frequently Asked Questions”
- “Linear Actuator Worksheet” (Drwg No. B-SD-10-5072)
- “Rotary Actuator Worksheet” (EDP300 / TZIDC)
- “Mounting Bracket List for EDP300 / TZIDC / AV Positioners”

ACTUATOR MAKE: _____

ACTUATOR MODEL #: _____

VALVE TAG #: _____



REQUIRED DIMENSIONS FOR MOUNTING BRACKET KIT

'A' = _____

'B' = _____

'C' = _____

'D' = _____

'E' = _____ Open Close

'F' = _____

'G' = _____

'H' = _____

'J' = _____

GENERAL BRACKET INFORMATION & COMMENTS:

ACTUATOR WITHOUT STEM BLOCK

ACTUATOR WITH STEM OR SPLIT BLOCK

SUPERSEDES DWG

THIRD ANGLE PROJECTION

THIS DRAWING IS THE PROPERTY OF ABB INC. NEITHER THE DRAWING, NOR REPRODUCTIONS OF IT NOR INFORMATION DERIVED FROM IT IS TO BE GIVEN TO OTHERS. NO USE IS TO BE MADE OF IT WHICH IS OR MAY BE INJURIOUS TO ABB INC.

ACAD VER: 2004

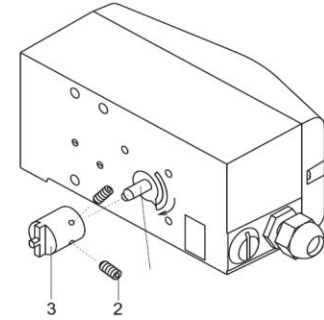
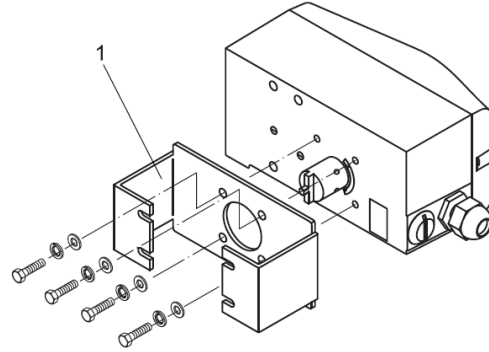
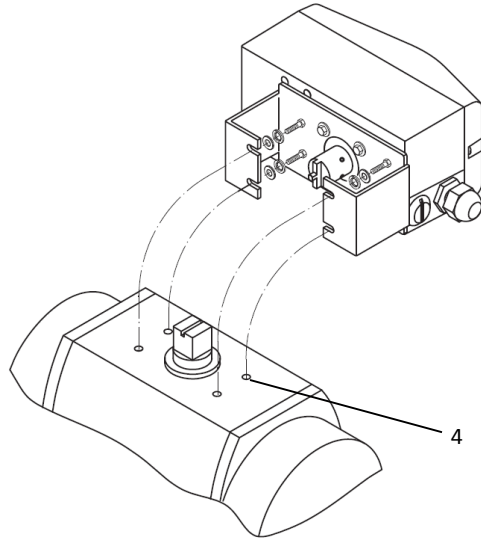
REVISIONS				MATERIAL FINISH	
REV	DATE	APVD	CHANGE	PART NO.	NAME
					POSITION MOUNTING KIT DESIGN DIMENSION REQUIREMENTS
				FOR	INT'L
				US STYLE GLOBE VALVE LINEAR ACTUATORS	
				SCALE	DATE
				NT	2008/06/11
				CAD FILE:	DWN. PM
				BC-DWG-B-SD-10-5072-A-1-B.dwg	CHKD. ML
				ABB	APVD.
				ABB Inc.	
				DWG. NO.	SHOT 01 OF 01
				B-SD-10-5072	REV
					A

Rotary Actuator Mounting Bracket Information For EDP300 / TZIDC Positioners

ACTUATOR MAKE: _____

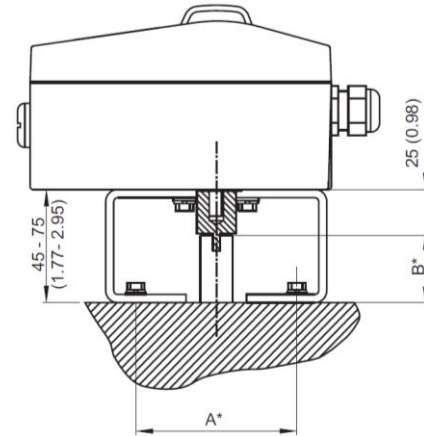
ACTUATOR MODEL #: _____

VALVE TAG #: _____



If Actuator does not conform to VDI / VDE 3845 provide dimensions A&B for item 1 (bracket) and dimensions for item 3 (adapter)

Dimension "A" =	_____ mm
Dimension "B" =	_____ mm
Dimensions of Item 3	Slot width: _____ mm / Adapter length: _____ mm
Thread details of Item 4	BSP or Metric? _____ Thread size: _____



Accessories	Order number
Mounting bracket	
EDP300 / TZIDC Mounting bracket for rotary actuators (mounting to VDI / VDE 3845), dimension A/B = 80/20 mm	319603
EDP300 / TZIDC Mounting bracket for rotary actuators (mounting to VDI / VDE 3845), dimension A/B = 80/30 mm	319604
EDP300 / TZIDC Mounting bracket for rotary actuators (mounting to VDI / VDE 3845), dimension A/B = 130/30 mm	319605
EDP300 / TZIDC Mounting bracket for rotary actuators (mounting to VDI / VDE 3845), dimension A/B = 130/50 mm	319606
Adapter	
EDP300 / TZIDC Adapter (shaft coupler) for rotary actuators (mounting to VDI / VDE 3845)	7959110

Mounting Bracket List for EDP300 / TZIDC / AV Positioners

Date: 9/2/2015

rev 1.53

Actuator Make / Model	Model / Size	Stroke	Positioner	Drawing	Mounting Kit Part #	Comments
ABB						
UP1 / UP2 fitted with AV	UP1/2 w. AV	Rotary	TZIDC/EDP	Drwg in kit	258650A1	
UP3 fitted with AV	UP3 w. AV	Linear	TZIDC/EDP	Drwg in kit	258656A1	
UP4 fitted with AV	UP4 w. AV	Linear	TZIDC/EDP	Drwg in kit	258656A3	
UP5 / UP6 fitted with AV	UP5/6 w. AV	Linear	TZIDC/EDP	Drwg in kit	258657A1	
TZID Linear	304ss material	0.5"-3.0"	TZIDC/EDP	Drwg in kit	B614B155U01	Complete new kit with lever
TZID Linear	304ss material	3.0"-6.0"	TZIDC/EDP	Drwg in kit	B614B155U02	Complete new kit with lever
TZID Linear	304ss material	3.0"-6.0"	TZIDC/EDP	Drwg in kit	B614B155U03	Using existing TZID lever
TZID Linear	Aluminium bracket	0.5"-3.0"	TZIDC/EDP	Drwg in kit	B614B155U04	Using existing TZID lever
TZID Linear	Aluminium bracket	Linear	TZIDC/EDP	Drwg in kit	B614B155U05	Using mounting holes near port and existing TZID lever
Actreg S.A.						
Actreg AC	20-2500	Rotary	TZIDC/EDP	NAMUR	319604 + 7959110	
Air Torque (Air Tech)						
Air Torque AT	00-3 / 10-30 / 050 / 100-300	Rotary	TZIDC/EDP	NAMUR	319604 + 7959110	
Air Torque AT	4-5 / 40	Rotary	TZIDC/EDP	NAMUR	319605 + 7959110	
Air Torque AT	350-500	Rotary	TZIDC/EDP	NAMUR	319604 + 7959110	
Air Torque AT	6 / 60 / 550-800	Rotary	TZIDC/EDP	NAMUR	319606 + 7959110	
Air Torque DA / SR	15 / 150	Rotary	TZIDC/EDP	NAMUR	319603 + 7959110	
Air Torque DA / SR	220-450	Rotary	TZIDC/EDP	NAMUR	319605 + 7959110	
Air Torque DA / SR	600-3000	Rotary	TZIDC/EDP	NAMUR	319606 + 7959110	
Alphair Aircom						
Alphair Aircom AP	50-100	Rotary	TZIDC/EDP	NAMUR	319603 + 7959110	
Alphair Aircom AP	115-145	Rotary	TZIDC/EDP	NAMUR	319605 + 7959110	
Alphair Aircom AP	160 / 200-270	Rotary	TZIDC/EDP	NAMUR	319606 + 7959110	
AMG						
AMG SAD / SAF	010-042	Rotary	TZIDC/EDP	NAMUR	319603 + 7959110	
AMG SAD / SAF	045-050	Rotary	TZIDC/EDP	NAMUR	319605 + 7959110	
Amri (KSB)						
Actair / Dynactair	All sizes	Rotary	TZIDC/EDP	NAMUR	319603 + 7959110	
ARCA						
Arcapaq 812	812	30mm	TZIDC/EDP	Drwg in kit	7959106	integral mounting; use single-acting TZIDC
Arcapaq 812	812	60mm	TZIDC/EDP	Drwg in kit	7959107	integral mounting; use single-acting TZIDC
Arcapaq 813	813	30mm	TZIDC/EDP	Drwg in kit	7959108	integral mounting; use single-acting TZIDC
Arcapaq 813	813	60mm	TZIDC/EDP	Drwg in kit	7959109	integral mounting; use single-acting TZIDC
A+R Armaturen						
A+R ARS	All sizes	Rotary	TZIDC/EDP	NAMUR	319604 + 7959110	
Armstrong						
Python 1100	M00 / M11 / M22	1/2"-2"	TZIDC/EDP	SD-50-2746	614C190U96	

Actuator Make / Model	Model / Size	Stroke	Positioner	Drawing	Mounting Kit Part #	Comments
Asahi						
Asahi 79	A79PSN	Rotary	TZIDC/EDP	NAMUR	319603 + 7959110	
Asahi 79	B79P / C79P / D79P / E79P	Rotary	TZIDC/EDP	NAMUR	319604 + 7959110	
Asahi 79	B579P / C579P / D579P	Rotary	TZIDC/EDP	NAMUR	319604 + 7959110	
Asahi 79	F79P / G79P	Rotary	TZIDC/EDP	NAMUR	319606 + 7959110	
Automax (Flowserve)						
Automax B / S Series	050 / 063 / 085 / 100	Rotary	TZIDC/EDP	NAMUR	319603 + 7959110	
Automax B / S Series	115 / 125 / 150 / 175 / 200	Rotary	TZIDC/EDP	NAMUR	319605 + 7959110	
Automax EFC Series	A160 / A270 / A500	Rotary	TZIDC/EDP	NAMUR	319604 + 7959110	
Automax SNA / SXL	50 / 63 / 85 / 100	Rotary	TZIDC/EDP	NAMUR	319603 + 7959110	
Automax SNA / SXL	115 / 125 / 150	Rotary	TZIDC/EDP	NAMUR	319605 + 7959110	
Automax SNA / SXL	175 / 180 / 200	Rotary	TZIDC/EDP	NAMUR	319605 + 7959110	
Automax S / N NAMUR	250 / 300	Rotary	TZIDC/EDP	NAMUR	319606 + 7959110	
Automax DA	85 / 100 / 115 / 150	Rotary	TZIDC/EDP	NAMUR	319603 + 7959110	
Automax SNA	50 / 100	Rotary	TZIDC/EDP	NAMUR	310603 + 7959110	
Automax SNA	115 / 200	Rotary	TZIDC/EDP	NAMUR	310605 + 7959110	
Automax A100 SR			TZIDC/EDP	Drwg in kit	B614B102U01	
bar GmbH						
bar GTD / GTE	045 / 055 / 065 / 077 / 083	Rotary	TZIDC/EDP	NAMUR	310606 + 7959110	
bar GTD / GTE	093 / 110 / 115 / 127	Rotary	TZIDC/EDP	NAMUR	310606 + 7959110	
bar GTD / GTE	163 / 210 / 250 / 254	Rotary	TZIDC/EDP	NAMUR	310605 + 7959110	
Bettis						
Bettis CBA	730 / 830 / 930 / 1030	Rotary	TZIDC/EDP	NAMUR	319603 + 7959110	
Bettis DD / DS	25 / 40 / 65 / 100 / 200 / 350	Rotary	TZIDC/EDP	NAMUR	319603 + 7959110	
Bettis DD / DS	600 / 950 / 1600	Rotary	TZIDC/EDP	NAMUR	319605 + 7959110	
Bettis CB	315 / 315-SR / 415-SR	Rotary	TZIDC/EDP	NAMUR	B614B176U01	
Bettis CB	420 / 420-SR / 520 / 520-SR	Rotary	TZIDC/EDP	NAMUR	B614B176U02	
Bettis CB	525 / 525-SR / 725 / 725-SR	Rotary	TZIDC/EDP	NAMUR	B614B176U03	
Bettis CB	420		TZIDC/EDP	Drwg in kit	CB-420	Outsource from VanAire
Bettis CB	725		TZIDC/EDP	Drwg in kit	CB-725	Outsource from VanAire
Bettis G Series	All models	Rotary	TZIDC/EDP	NAMUR	319604 + 7959110	
Bettis RPC	All models	Rotary	TZIDC/EDP	NAMUR	319603 + 7959110	
Bi-Torq						
Bi-Torq	52 / 63 / 75 / 85 / 100	Rotary	TZIDC/EDP	NAMUR	319603 + 7959110	
Bi-Torq	115 / 125	Rotary	TZIDC/EDP	NAMUR	319605 + 7959110	
Bi-Torq	160 / 200 / 270	Rotary	TZIDC/EDP	NAMUR	319604 + 7959110	
Bray						
Bray Series 92 / 93	63 / 127	Rotary	TZIDC/EDP	NAMUR	319603 + 7959110	
Bray Series 92 / 93	160 / 255	Rotary	TZIDC/EDP	NAMUR	319605 + 7959110	

Actuator Make / Model	Model / Size	Stroke	Positioner	Drawing	Mounting Kit Part #	Comments
Badger / RCV						
RCV 35	35	10-30mm	TZIDC/EDP	Drwg in kit	B614B160U02	
RCV 754 / 755	1/4" / 1/2"		TZIDC/EDP	Drwg in kit	B614B160U01	
RCV	1/4" / 1/2"		TZIDC/EDP	In Progress	544615-0001	Outsource from RCV
9000			TZIDC/EDP	In Progress	544709-0001	Outsource from RCV
Bauman						
Baumann	Refer to drawing		TZIDC/EDP	In Progress	614C190U47	Need more details
Baumann	16		TZIDC/EDP	Drwg in kit	B614B142U01	
Baumann	32		TZIDC/EDP	Drwg in kit	B614B142U02	
Baumann	54		TZIDC/EDP	In Progress	614B069U09-S01	Stem nut clamp type
Baumann	Refer to drawing		TZIDC/EDP	Drwg in kit	7959126-S01	Need more details
Cashco						
Cashco 48	48		TZIDC/EDP	Drwg in kit	B614B135U01	
Centerline						
Centerline 33 / 38	100-125	Rotary	TZIDC/EDP	NAMUR	319603 + 7959110	
CompacTorque						
Compac 3TD/3TS/CTD/CTS	30-60	Rotary	TZIDC/EDP	NAMUR	319603 + 7959110	
Compac 3TD/3TS/CTD/CTS	0A / 65-90	Rotary	TZIDC/EDP	NAMUR	319605 + 7959110	
Contromatics						
Contromatics PA / PAS	100-300 / 500 / 700 / 1030	Rotary	TZIDC/EDP	NAMUR	319603 + 7959110	
Contromatics PA / PAS	1400 / 2200 / 2900 / 4100	Rotary	TZIDC/EDP	NAMUR	319603 + 7959110	
Contromatics PA / PAS	5800 / 9000 / 12100	Rotary	TZIDC/EDP	NAMUR	319605 + 7959110	
Contromatics PA / PAS	23600 / 29500 / 37200	Rotary	TZIDC/EDP	NAMUR	319605 + 7959110	
Copes Vulcan						
Copes Vulcan SD1000	SD1000	Linear	TZIDC/EDP	In Progress	614C190U68	For actuator with 3/16" NC hole in yoke (kit incl 3" travel stud)
Copes Vulcan Rising stem US style	Stem diameter 0.375"-1"	3"	TZIDC/EDP	PN25091	614C190U15	For actuators with no split block or travel pin (kit includes stem clamp bracket)
Copes Vulcan	700	4"	TZIDC/EDP	PN25111	7959177_US	Suitable for split block with bow and slide
Copes Vulcan Stem diameter 0.375"-1"	600	Linear	TZIDC/EDP	Drwg in kit	B614B127U01.	Split block actuator c/w pin and spring load TZIDC lever
Crane						
Crane Revo	06 / 012 / 025 / 050	Rotary	TZIDC/EDP	NAMUR	319603 + 7959110	
Crane Revo	090 / 130 / 180	Rotary	TZIDC/EDP	NAMUR	319605 + 7959110	
Crane 205 / 380	F12 / F14 / F14 / R45	Rotary	TZIDC/EDP	NAMUR	319605 + 7959110	

Actuator Make / Model	Model / Size	Stroke	Positioner	Drawing	Mounting Kit Part #	Comments
CCI						
CCI 840G	See Notes	3"	TZIDC/EDP	SD-0-2766	614C1090U82	For 3" stroke linear valve repacing Siemens 760 positioner, reuse existing yoke bracket
CCI Drag Valve G2 (6X6)	See Notes	6"	TZIDC/EDP	In Progress	614B069U05	For 6" stroke linear actuator incl yoke and stem bracket
CCI Drag Valve 100D	See Notes	6"	TZIDC/EDP	In Progress	614C190U70	For actuator with 6" stroke replacing STI Positioner with cam and stem travel bar (reuse travel bar)
BTG Drag Valve	See Notes	6.3"	TZIDC/EDP	In Progress	614C190U70	For actuator with 6" stroke replacing STI Positioner with cam and stem travel bar (reuse travel bar)
CCI Drag Valve	See Notes	8"	TZIDC/EDP	SD-50-2739	614C190U61	For 6" & 8" stroke includes yoke and stem bracket
B&W Drag Valve	B3G5-6-8EK	8"	TZIDC/EDP	SD-50-2739	614C190U61	For 8" stroke linear actuator incl yoke and stem bracket
CCI Drag Valve	See Notes	16"	TZIDC/EDP	SD-50-2725	614C190U86	For actuator with 16" stroke replacing STI Positioner with cam and stem travel bar (reuse travel bar)
Dyna-Flow						
Dyna-Flow DFR	025		TZIDC/EDP	Drwg in kit	B614B128U01	
Dyna-Flow DFR	047		TZIDC/EDP	Drwg in kit	B614B128U02	
DuAir						
DuAir AP	050 / 063 / 075 / 085 / 100	Rotary	TZIDC/EDP	NAMUR	319605 + 7959110	
DuAir AP	160 / 200	Rotary	TZIDC/EDP	NAMUR	319606 + 7959110	
DeZurik						
DeZurik shaft 0.375 adapter	See Notes	Rotary	TZIDC/EDP		B370F006U01	Adapter only
DeZurik shaft 0.342 adapter	See Notes	Rotary	TZIDC/EDP		B370F006U02	Adapter only
DeZurik DR		Rotary	TZIDC/EDP	ISO5211	B614B126U01 + 7959110	
DeZurik GS-16 / PC-10		Rotary	TZIDC/EDP	Drwg in kit	B614B169U01 + 7959110	
DeZurik 1/2" 2.75BC	See Notes		TZIDC/EDP	Drwg in kit	B614B126U01 + 7959110	Items 8 & 9 in parts list not included; reuse existing
Ebro						
Ebro EB	4 / 5 / 256	Rotary	TZIDC/EDP	NAMUR	319604 + 7959110	
Ebro EB	6 / 8 / 10 / 12 / 15	Rotary	TZIDC/EDP	NAMUR	319605 + 7959110	
Ebro EB	15 / 18 / 270 / 280	Rotary	TZIDC/EDP	NAMUR	319605 + 7959110	
El-o-matic						
Elomatic E & P	12 / 25-350	Rotary	TZIDC/EDP	NAMUR	319603 + 7959110	
Elomatic E & P	500-1600	Rotary	TZIDC/EDP	NAMUR	319605 + 7959110	
Elomatic P	2500 / 4000	Rotary	TZIDC/EDP	NAMUR	319605 + 7959110	
END-Armaturen Gmbh						
END Model SK	43 / 43(F04) / 55/ 55(F04)	Rotary	TZIDC/EDP	NAMUR	319604 + 7959110	
END Model SK	63 / 70 / 85 / 100 / 127	Rotary	TZIDC/EDP	NAMUR	319604 + 7959110	
Ewald Kraft						
Ewald Kraft Model M	004-007 / 010 / 012	Rotary	TZIDC/EDP	NAMUR	319604 + 7959110	

Actuator Make / Model	Model / Size	Stroke	Positioner	Drawing	Mounting Kit Part #	Comments
Festo						
Festo DER / DRD	F405 / 8F05 / 14F05 / 26F07	Rotary	TZIDC/EDP	NAMUR	319603 + 7959110	
Festo DER / DRD	50F10 / 77F10 / 77F12	Rotary	TZIDC/EDP	NAMUR	319605 + 7959110	
Festo DER / DRD	150F12 / 150F14 / 225F12	Rotary	TZIDC/EDP	NAMUR	319605 + 7959110	
Festo DER / DRD	225F14 / 375F14	Rotary	TZIDC/EDP	NAMUR	319605 + 7959110	
Festo QHDR	1/4B; 3/8B; 1/5B; 3/4B	Rotary	TZIDC/EDP	NAMUR	319603 + 7959110	
Festo QHDR	1B; 1-1/4B; 1-1/2B; 2B	Rotary	TZIDC/EDP	NAMUR	319603 + 7959110	
Fisher						
Fisher rising stem US style	See Notes	4"	TZIDC/EDP	In Progress	614C190U87	Actuators w/o split block; travel pin; yoke bolt holes. Kit has 3.25 U-Bolt for act body clamp and stem V bracket
Fisher rising stem US style Stem dia. 0.375"-0.75"	See Notes	4"	TZIDC/EDP	PN25091	614C190U15	For actuators with no split block or travel pin (kit includes stem clamp bracket)
Fisher 656	See Notes		TZIDC/EDP	PN25117	614C190U42	Need more actuator details
Fisher 657/667	25 / 30 / 40 / 45 / 50 / 60 / 70	4"	TZIDC/EDP	PN25151	614C190U76	For actuator with split block (kit includes slotted block bracket+link rod (cut to length))
Fisher 657/667	40 / 70	4"	TZIDC/EDP	PN25153	614C190U60	For actuator that already has split block travel pin. Use when upgrading from AV / AP Positioner with linkage
Fisher 657/667	45/70	4"	TZIDC/EDP	PN25152	614C190U64	For actuator with 5/16" NC hole in split block, kit incl 3.5" travel stud (cut to length) with 2 nuts
Fisher 657/667	70	4"	TZIDC/EDP	PN25088E PN25088D_1	614C190U10	Actuators with slotted fisher bracket on the stem (vertical or horizontal) kit include stem block bracket if needed
Fisher 657/667	70	4"	TZIDC/EDP	PN25111	7959177_US	For split block with bow and slide
Fisher 657/667	Stem diameter 0.25"/0.5"/0.75"	4"	TZIDC/EDP	In Progress	614C190U74	For actuators that can accommodate a bracket clamped between valve stem & actuator stem connector lock nuts
Fisher 657/667	Stem diameter 0.38"...1"	1/2"-3"	TZIDC/EDP	Drwg in kit	B614B127U01	For split block actuator c/w pin and spring load TZIDC lever
Fisher 657/667	Stem diameter 0.38"...1"	3"-6"	TZIDC/EDP	Drwg in kit	B614B127U03	For split block actuator c/w pin and spring load TZIDC lever
Fisher 657/667	With Encapsulated Yoke	1/2"-3"	TZIDC/EDP	Drwg in kit	B614B127U02	For split block actuator c/w pin and spring load TZIDC lever
Fisher 476	Scotch-Yoke type	8"	TZIDC/EDP	In Progress	614C190U83	For actuator with existing stem travel bracket with hole, kit incl 3.5" travel stud (cut to length) w.lock and jam nut
Fisher 476D Stem dia. 0.25"/ 0.5"/ 0.75"	30	4"	TZIDC/EDP	In Progress	614C190U74	For actuators that can accommodate a bracket clamped between valve stem & actuator stem connector lock nuts
Fisher 476D Stem dia. 1-1/8"	64	4"	TZIDC/EDP	SD-50-2734	614C190U90	For actuators that can accommodate a bracket clamped between valve stem & actuator stem connector lock nuts
Fisher 476L-DB	Hood cover for old Positioner not included	4"	TZIDC/EDP	SD-50-2722	614C190U84	For actuators that can accommodate a bracket clamped between valve stem & actuator stem connector lock nuts
Fisher 471/476	60	8-1/8"	TZIDC/EDP	In Progress	614C190U50	Kit includes split block bracket and 10" lever arm

Actuator Make / Model	Model / Size	Stroke	Positioner	Drawing	Mounting Kit Part #	Comments
Fisher 1035	12 / 25-350	Rotary	TZIDC/EDP	NAMUR	319603 + 7959110	
Fisher 1035	500-1600 / 2500 / 4000	Rotary	TZIDC/EDP	NAMUR	319605 + 7959110	
Fisher 1051 / 1052	20		TZIDC/EDP	Drwg in kit	B614B066U01 + 7959110	Items 7 & 8 not included in kit; reuse existing
Fisher 1051 / 1052	30 / 40	Rotary	TZIDC/EDP	Drwg in kit	B614B067U01 + 7959110	Items 7 & 8 not included in kit; reuse existing
Fisher 1051 / 1052	33	Rotary	TZIDC/EDP	Drwg in kit	B614B068U01 + 7959110	Items 7 & 8 not included in kit; reuse existing
Fisher 1051	60	Rotary	TZIDC/EDP	Drwg in kit	B614B069U01 + 7959110	Items 7 & 8 not included in kit; reuse existing
Fisher 1051 c/w gasket & cover plate	60	Rotary	TZIDC/EDP	Drwg in kit	B614B069U02 + 7959110	Items 7 & 8 not included in kit; reuse existing
Fisher 1052	60 / 70	Rotary	TZIDC/EDP	Drwg in kit	B614B069U01 + 7959110	Items 7 & 8 not included in kit; reuse existing
Fisher 1052 c/w gasket & cover plate	60 / 70	Rotary	TZIDC/EDP	Drwg in kit	B614B069U02 + 7959110	Items 7 & 8 not included in kit; reuse existing
Fisher 1061	40 / 60 / 68	Rotary	TZIDC/EDP	Drwg in kit	B614B069U01 + 7959110	Items 7 & 8 not included in kit; reuse existing
Fisher 1061	20	Rotary	TZIDC/EDP	Drwg in kit	B614B066U01 + 7959110	Items 7 & 8 not included in kit; reuse existing
Fisher 1061	68	Rotary	TZIDC/EDP	Drwg in kit	B614B069U01 + 7959110	Items 7 & 8 not included in kit; reuse existing
Fisher 1061	130	Rotary	TZIDC/EDP	Drwg in kit	7959206	
Fisher 2052	1	Rotary	TZIDC/EDP	Drwg in kit	B614B177U01 + 7959110	New Fisher actuator model replacing the 1052 series
Fisher 2052	2	Rotary	TZIDC/EDP	SD-50-2729	614C190U88	New Fisher actuator model replacing the 1052 series
Fisher 2052	3	Rotary	TZIDC/EDP	Drwg in kit	B614B177U03 + 7959110	New Fisher actuator model replacing the 1052 series
Fisher 585C	25	3"	TZIDC/EDP	PN25112	614C190U41	For split block with bow and slide
Fisher 585C	50 / 60 / 68 / 80	4"	TZIDC/EDP	SD-50-2737	614C190U78	Includes slotted bracket for stem guide clamp/split block
Fisher 585C	100 / 130	4"	TZIDC/EDP	SD-50-2742	614C190U93	Includes slotted bracket for stem guide clamp/split block
Fisher 585C	50 / 60 / 68 / 80	8"	TZIDC/EDP	SD-50-2736	614C190U91	Includes slotted bracket for stem guide clamp/split block
Fisher 585C	100 / 130	8"	TZIDC/EDP	SD-50-2741	614C190U92	Includes slotted bracket for stem guide clamp/split block
Fisher VL 4"	See Notes		TZIDC/EDP	PN25116	614C190U44	Need more actuator details
Fisher 472-5-AR	See Notes		AV	PN25123	614C198U04	Stem Clamp with link rod to AV lever
Fisher 656	60		AV	PN25122	614C198U03	
Fisher 657/667	Stem diameter 0.75"-1"		AV	Drwg in kit	5327321A13	Stem Clamp with link rod to AV lever
Fisher 657/667	Stem diameter 0.375"-0.75"		AV	Drwg in kit	5327321A14	Stem Clamp with link rod to AV lever
FieldQ						
FieldQ QD / QS	40 / 100 / 200 / 350	Rotary	TZIDC/EDP	NAMUR	319603 + 7959110	
FieldQ QD / QS	600 / 950 / 1600	Rotary	TZIDC/EDP	NAMUR	319605 + 7959110	
Fisher Gulde						
Fisher Gulde DK			TZIDC/EDP	Drwg in kit	7959161	
Fisher Gulde 32 / 34			TZIDC/EDP	Drwg in kit	7959210	
Fisher Gulde 32 / 34			TZIDC/EDP	Drwg in kit	7959344	
Fisher Gulde 1018			TZIDC/EDP	Drwg in kit	7959255	

Actuator Make / Model	Model / Size	Stroke	Positioner	Drawing	Mounting Kit Part #	Comments
Flow-Tek						
Automator II / DA / SR	050-100	Rotary	TZIDC/EDP	NAMUR	319603 + 7959110	
Automator II / DA / SR	125	Rotary	TZIDC/EDP	NAMUR	319605 + 7959110	
Automator II / DA / SR	160 / 200	Rotary	TZIDC/EDP	NAMUR	319606 + 7959110	
Automator	63 / 83 / 92 / 118 / 127	Rotary	TZIDC/EDP	NAMUR	319603 + 7959110	
Automator	160 / 210 / 255	Rotary	TZIDC/EDP	NAMUR	319605 + 7959110	
Foxboro						
Foxboro FoxPak V725/IP127			TZIDC/EDP	Drwg in kit	7959168	
Foxboro V7xx		20-35mm	TZIDC/EDP	DIN/IEC 534	7959125	
Foxboro V713		25-90mm	TZIDC/EDP	DIN/IEC 534	7959126	
George Fischer						
George Fischer PA	30-70	Rotary	TZIDC/EDP	NAMUR	319604 + 7959110	
Grinnell						
Grinnell GDA / GSR	4 / 8 / 12 / 20 / 35	Rotary	TZIDC/EDP	NAMUR	319603 + 7959110	
Grinnell GDA / GSR	55 / 70 / 100 / 150 / 250 / 400	Rotary	TZIDC/EDP	NAMUR	319605 + 7959110	
Hammel DAHL						
Hammel DAHL RCBHA			TZIDC/EDP	Drwg in kit	B614B157U01	
Hytork						
Hytork EDF	71 / 186	Rotary	TZIDC/EDP	NAMUR	319603 + 7959110	
Hytork EDF	45 / 70 / 130 / 185	Rotary	TZIDC/EDP	NAMUR	319604 + 7959110	
Hytork EDF	280 / 425 / 680	Rotary	TZIDC/EDP	NAMUR	319604 + 7959110	
Hytork EDF	1125 / 1370 / 2585 / 4580	Rotary	TZIDC/EDP	NAMUR	319605 + 7959110	
Hytork GS	14-124	Rotary	TZIDC/EDP	NAMUR	319603 + 7959110	
Hytork XL	26-70 / 71 / 80	Rotary	TZIDC/EDP	NAMUR	319603 + 7959110	
Hytork XL	80 / 130 / 131 / 185	Rotary	TZIDC/EDP	NAMUR	319603 + 7959110	
Hytork XL	186 / 221 / 280 / 425 / 680	Rotary	TZIDC/EDP	NAMUR	319603 + 7959110	
Hytork XL	1125 / 1370 / 2585	Rotary	TZIDC/EDP	NAMUR	319605 + 7959110	
Hytork XL	2585 / 4580 / 4585	Rotary	TZIDC/EDP	NAMUR	319605 + 7959110	
Honeywell						
Honeywell 600	11 / 15	Linear	TZIDC/EDP	DIN/IEC 534	7959126	
InterApp						
Inter App IA / DA / SR	00 / 10 / 20 / 25 / 30	Rotary	TZIDC/EDP	NAMUR	319603 + 7959110	
Inter App IA / DA / SR	35 / 40 / 45	Rotary	TZIDC/EDP	NAMUR	319605 + 7959110	
Inter App IA / DA / SR	50 / 60 / 70	Rotary	TZIDC/EDP	NAMUR	319606 + 7959110	
Inter App IA Motion	050 / 100 / 200 / 250 / 300	Rotary	TZIDC/EDP	NAMUR	319603 + 7959110	
Inter App IA Motion	350 / 400 / 450 / 500	Rotary	TZIDC/EDP	NAMUR	319604 + 7959110	
Inter App IA Motion	550 / 600 / 650 / 700	Rotary	TZIDC/EDP	NAMUR	319606 + 7959110	
Inter App AO / DA / SR / DC	025 / 055 / 110 / 190	Rotary	TZIDC/EDP	NAMUR	319603 + 7959110	
Inter App AO / DA / SR / DC	360	Rotary	TZIDC/EDP	NAMUR	319604 + 7959110	

Actuator Make / Model	Model / Size	Stroke	Positioner	Drawing	Mounting Kit Part #	Comments
Jamesbury						
Jamesbury BC6 / B1C6	20		TZIDC/EDP	Drwg in kit	7959146	
Jamesbury BJ8 /B1J8	20		TZIDC/EDP	Drwg in kit	7959146	
Jamesbury Valv-Powr VPVL	05...300	Rotary	TZIDC/EDP	NAMUR	319603 + 7959110	
Jamesbury Valv-Powr VPVL	350...500	Rotary	TZIDC/EDP	NAMUR	319604 + 7959110	
Jamesbury Valv-Powr VPVL	550...800	Rotary	TZIDC/EDP	NAMUR	319606 + 7959110	
Jamesbury B1C / B1J	6 / 8-11	Rotary	TZIDC/EDP	NAMUR	319603 + 7959110	
Jamesbury B1C / B1J	12 / 13 / 16 / 17 / 20	Rotary	TZIDC/EDP	NAMUR	319605 + 7959110	
Jamesbury BIC	U17 / U55	Rotary	TZIDC/EDP	NAMUR	319603 + 7959110	
Jamesbury BIC	U13 / U32	Rotary	TZIDC/EDP	NAMUR	319603 + 7959110	
Jamesbury BIC	6U / 20U	Rotary	TZIDC/EDP	NAMUR	319603 + 7959110	
Jamesbury IJA	U10 / U20	Rotary	TZIDC/EDP	NAMUR	319603 + 7959110	
Jamesbury BC	6U / 20U	Rotary	TZIDC/EDP	NAMUR	319603 + 7959110	
Jamesbury MO SD	1	Rotary	TZIDC/EDP	NAMUR	319603 + 7959110	
Jamesbury MO SD	2 / 3	Rotary	TZIDC/EDP	NAMUR	319604 + 7959110	
Jamesbury MO SD	4 / 5	Rotary	TZIDC/EDP	NAMUR	319606 + 7959110	
Jamesbury VP	8 / 10	Rotary	TZIDC/EDP	NAMUR	319604 + 7959110	
Jamesbury VPVL	051-300	Rotary	TZIDC/EDP	NAMUR	319603 + 7959110	
Jamesbury VPVL	350-500	Rotary	TZIDC/EDP	NAMUR	319604 + 7959110	
Jamesbury VPVL	550-800	Rotary	TZIDC/EDP	NAMUR	319606 + 7959110	
Jordan (SteriFlow)						
Jordan MK78/8000 SP		Linear	TZIDC/EDP	Drwg in kit	614C190U109	
Kammer (Flowserve)						
Kammer Series 2	P2 / P3 / P4 / P5	10-35mm	TZIDC/EDP	DIN/IEC 534	7959125	
Kammer Series 2	P2 / P3 / P4 / P5	20-100mm	TZIDC/EDP	DIN/IEC 534	7959126	
Keystone						
Keystone F79U036			TZIDC/EDP	Drwg in kit	B614B086U03 + 7959110	
Keystone 790	100 / 200 / 300		TZIDC/EDP	Drwg in kit	B614B121U03 + 7959110	
Keystone 790	400 / 500		TZIDC/EDP	Drwg in kit	B614B121U02 + 7959110	
Keystone 790	600 / 700		TZIDC/EDP	Drwg in kit	B614B121U01 + 7959110	
Keystone 79U	003		TZIDC/EDP	Drwg in kit	B614B086U01	
Keystone MRP / MRA	004		TZIDC/EDP	Drwg in kit	B614B086U01	
Keystone 79U / E	006 / 012		TZIDC/EDP	Drwg in kit	B614B086U02	
Keystone MRP / MRA	006 / 012		TZIDC/EDP	Drwg in kit	B614B086U02	
Keystone 79U / E	024 / 036		TZIDC/EDP	Drwg in kit	B614B086U03	
Keystone MRP / MRA	025		TZIDC/EDP	Drwg in kit	B614B086U03	
Keystone 79U / E	065 / 066		TZIDC/EDP	Drwg in kit	B614B086U04	
Keystone MRP / MRA	037 / 045		TZIDC/EDP	Drwg in kit	B614B086U04	
Keystone 79U / E	090 / 091		TZIDC/EDP	Drwg in kit	B614B086U05	
Keystone MRP / MRA	070 / 088		TZIDC/EDP	Drwg in kit	B614B086U05	
Keystone 79U / E / MRP	180 / 181		TZIDC/EDP	Drwg in kit	B614B086U06	
Keystone 79U / E	002(S) / 181(S)		TZIDC/EDP	Drwg in kit	7859147	
Kimray						
Kimray Standard	1" HPCV		TZIDC/EDP	In Progress	614C190U113	

Actuator Make / Model	Model / Size	Stroke	Positioner	Drawing	Mounting Kit Part #	Comments
Leslie						
Leslie RVK RVB RVD			TZIDC/EDP	In Progress	B614B104U01	
Leslie DLO(S)-2	See Notes	3"	TZIDC/EDP	In Progress	614B069U09	Stem Dia. 3/8" 1/2" 3/4" 1" with stem nut bracket
Leslie DBOY / AEROFLOW	See Notes	3"	TZIDC/EDP	PN25097	614B069U09	Stem Dia. 3/8" 1/2" 3/4" 1" with stem nut bracket
Leslie DASR / AEROFLOW	10"	2"	TZIDC/EDP	PN25134	614C190U55	Kit for Cylinder top cap mount with stud on stem collar
Leslie DASR / AEROFLOW	13"	3"	TZIDC/EDP	In Progress	614C190U77	Kit for Cylinder top cap mount with stud on stem collar
Leslie K-MAX	40		TZIDC/EDP	In Progress	614B069U13	Actuator size 1" - 8"
Leslie K-MAX	55 / 85		TZIDC/EDP	PN25101	614B069U14	Actuator size 1" - 8"
Leslie AEROFLOW	Stem diameter 1/2" & 3/4"	3"	AV		614B069U10	
Leslie DBOY	Stem diameter 1/2" & 3/4"	3"	AV		614B069U08	
Leslie K-MAX	1" - 8"	Rotary	AV	PN25121	614B069U12	Also see PN25100
K-Tork (Rotork)						
K-Tork K	1 / 2	Rotary	TZIDC/EDP	NAMUR	319603 + 7959110	
K-Tork K	3-5	Rotary	TZIDC/EDP	NAMUR	319604 + 7959110	
K-Tork K	6 / 7	Rotary	TZIDC/EDP	NAMUR	319606 + 7959110	
Kraft Ewald						
Kraft Ewald M	004-007 / 010 / 012	Rotary	TZIDC/EDP	NAMUR	319604 + 7959110	
Masoneilan / Camflex						
Masoneilan 2650		1"	TZIDC/EDP	SD-50-2723	614C190U85	
Masoneilan 37/38		1/2"-3"	TZIDC/EDP	Drwg in kit	B614B074U02	
Masoneilan 37/38		3"-6"	TZIDC/EDP	Drwg in kit	B614B074U04	
Masoneilan 37/38		1/2"-1.5"	TZIDC/EDP	Drwg in kit	B614B074U05	
Masoneilan Linear Valve			TZIDC/EDP	Drwg in kit	B614B074U06	
Masoneilan 87/88		1/2"-1.5"	TZIDC/EDP	Drwg in kit	B614B079U03	
Masoneilan 87/88		1/2"-3"	TZIDC/EDP	Drwg in kit	B614B079U02	
Masoneilan 87/88		3"-6"	TZIDC/EDP	Drwg in kit	B614B079U04	
Masoneilan CMFLX/VMAX			TZIDC/EDP	Drwg in kit	B614B064U01	
Masoneilan CMFLX/PMAX			TZIDC/EDP	Drwg in kit	B614B064U01	
Masoneilan CAMFLEX 1		Rotary	TZIDC/EDP	PN25115	614C190U43	
Masoneilan CAMFLEX II	See Notes	Rotary	TZIDC/EDP	PN25020	614C190U45	Warminster Kit - Preferred solution
Masoneilan CAMFLEX II	See Notes	Rotary	TZIDC/EDP	PN25020	7959144	Use 614C190U45 Preferred solution
Masoneilan CAMFLEX II	See Notes	Rotary	TZIDC/EDP	Drwg in kit	B614B064U01	Use 614C190U45 Preferred solution
Masoneilan MiniTork	See Notes	Rotary	TZIDC/EDP	Drwg in kit	B614B064U01	Use 614C190U45 Preferred solution
Masoneilan Sigma F			TZIDC/EDP	Drwg in kit	B614B064U02	
Masoneilan Varimax			TZIDC/EDP	PN25020	7959144	
Masoneilan Varipak	See Notes		TZIDC/EDP	Drwg in kit	7959163	Varipak cover modification required. Consult ABB for details
Master Flo						
Master Flo PDA	100		TZIDC/EDP	Drwg in kit	B614B147U01	
Mallard						
Mallard 70/120			TZIDC/EDP	PN25127 A	614C190U48	

Actuator Make / Model	Model / Size	Stroke	Positioner	Drawing	Mounting Kit Part #	Comments
Matryx						
Matryx EDA	25 / 40 / 65 / 100 / 200 / 350	Rotary	TZIDC/EDP	NAMUR	319603 + 7959110	
Matryx EDA	600 / 950 / 1600	Rotary	TZIDC/EDP	NAMUR	319604 + 7959110	
Matryx EDS	25 / 40 / 65 / 100 / 200 / 350	Rotary	TZIDC/EDP	NAMUR	319603 + 7959110	
Matryx ESA	600 / 950 / 1600	Rotary	TZIDC/EDP	NAMUR	319604 + 7959110	
Matryx PDA/PDN/PSA/PSN	60 / 150 / 280	Rotary	TZIDC/EDP	NAMUR	319603 + 7959110	
Matryx PDA/PDN/PSA/PSN	500 / 750 / 1100 / 2500 / 4000	Rotary	TZIDC/EDP	NAMUR	319605 + 7959110	
MaxFlow						
Eccentric Plug Valve			TZIDC/EDP	Drwg in kit	7959140	
Milwaukee Valve						
Milwaukee MC	2-29	Rotary	TZIDC/EDP	NAMUR	319603 + 7959110	
Milwaukee MC	58-295	Rotary	TZIDC/EDP	NAMUR	319605 + 7959110	
Morin (Tyco)						
Morin MRP	004	Rotary	TZIDC/EDP	NAMUR	319603 + 7959110 + T	T = Also needed is Tyco part # F43011
Morin MRP	009-014	Rotary	TZIDC/EDP	NAMUR	319603 + 7959110 + T	T = Also needed is Tyco part # F43012
Morin MRP	025-088	Rotary	TZIDC/EDP	NAMUR	319603 + 7959110 + T	T = Also needed is Tyco part # F43013
Morin B DA	23 / 36 / 50 / 59 / 72 / 100	Rotary	TZIDC/EDP	NAMUR	319604 + 7959110	
Morin B DA	135 / 210 / 270 / 345 / 420	Rotary	TZIDC/EDP	NAMUR	319604 + 7959110	
Morin B DA	1480 / 1930 / 2380	Rotary	TZIDC/EDP	NAMUR	319604 + 7959110	
Morin B DA	370 / 575 / 740 / 945 / 1150	Rotary	TZIDC/EDP	NAMUR	319604 + 7959110	
Morin B SR	23 / 36 / 46 / 58 / 59 / 72 / 100	Rotary	TZIDC/EDP	NAMUR	319604 + 7959110	
Morin B SR	135 / 210 / 270	Rotary	TZIDC/EDP	NAMUR	319604 + 7959110	
Morin B SR	344 / 345 / 420	Rotary	TZIDC/EDP	NAMUR	319604 + 7959110	
Morin B SR	1480 / 1929 / 1930 / 2380	Rotary	TZIDC/EDP	NAMUR	319604 + 7959110	
Morin B SR	370 / 575 / 740 / 944 / 1150	Rotary	TZIDC/EDP	NAMUR	319605 + 7959110	
Morin S DA / S SR	135 / 210 / 270	Rotary	TZIDC/EDP	NAMUR	319604 + 7959110	
Morin S DA / S SR	270 / 420 / 1480 / 2380	Rotary	TZIDC/EDP	NAMUR	319604 + 7959110	
Morin S DA / S SR	370 / 575 / 740 / 1150	Rotary	TZIDC/EDP	NAMUR	319605 + 7959110	
Morin S DA / S SR	40-50	Rotary	TZIDC/EDP	NAMUR	319606 + 7959110	
Morin MO6SR-80			TZIDC/EDP	Drwg in kit	MO6SR-80	Outsource from VanAire
Naf						
NAF 791290		Rotary	TZIDC/EDP	Drwg in kit	7959207	
NAMUR (VDI / VDE 3845)						
NAMUR Adapter	Shaft Adapter	Rotary	TZIDC/EDP		7959110	
NAMUR A/B = 80/20 mm	30x80x20	Rotary	TZIDC/EDP	NAMUR	319603 + 7959110	Bracket + Coupling
NAMUR A/B = 80/30 mm	30x80x30	Rotary	TZIDC/EDP	NAMUR	319604 + 7959110	Bracket + Coupling
NAMUR A/B = 130/30 mm	30x130x30	Rotary	TZIDC/EDP	NAMUR	319605 + 7959110	Bracket + Coupling
NAMUR A/B = 130/50 mm	30x130x50	Rotary	TZIDC/EDP	NAMUR	319606 + 7959110	Bracket + Coupling

Actuator Make / Model	Model / Size	Stroke	Positioner	Drawing	Mounting Kit Part #	Comments
Neles						
Neles B1C / B1J	6 / 8-11	Rotary	TZIDC/EDP	NAMUR	319603 + 7959110	
Neles B1C / B1J	12 / 13 / 16 / 17 / 20	Rotary	TZIDC/EDP	NAMUR	319605 + 7959110	
Neles DC / DJ	5 / 10 / 20 / 25 / 30	Rotary	TZIDC/EDP	NAMUR	319603 + 7959110	
Neles DC / DJ	35 / 40 / 45	Rotary	TZIDC/EDP	NAMUR	319605 + 7959110	
Neles DC / DJ	50 / 60 / 70	Rotary	TZIDC/EDP	NAMUR	319605 + 7959110	
Neles BC / B1C	6-20	Rotary	TZIDC/EDP	NAMUR	7959146	
Neles BJ / B1J	8-20	Rotary	TZIDC/EDP	NAMUR	7959146	
Neles B1JA	25	Rotary	AV	Drwg in kit	614C198U02	
Nibco						
Nibsco CP / NP	20-60	Rotary	TZIDC/EDP	NAMUR	319603 + 7959110	
Norboro						
Norboro **AR/BR_40	10-20	Rotary	TZIDC/EDP	NAMUR	319603 + 7959110	
Norboro **AR/BR_40	25 -35	Rotary	TZIDC/EDP	NAMUR	319604 + 7959110	
Norboro **AR/BR_40	40-50	Rotary	TZIDC/EDP	NAMUR	319606 + 7959110	
Nuovo Pignone						
Nuovo Pignone	Lever for 150...250mm stroke	Linear	TZIDC/EDP	NAMUR	7959210	Lever only
Omal						
Omal DA	15 / 30 / 45 / 60 / 90	Rotary	TZIDC/EDP	NAMUR	319603 + 7959110	
Omal DA	120 / 180 / 240 / 360	Rotary	TZIDC/EDP	NAMUR	319604 + 7959110	
Omal DA	360 / 480 / 960 / 1920	Rotary	TZIDC/EDP	NAMUR	319604 + 7959110	
Omal SR	15 / 30 / 45	Rotary	TZIDC/EDP	NAMUR	319603 + 7959110	
Omal SR	60 / 90 / 120 / 180	Rotary	TZIDC/EDP	NAMUR	319604 + 7959110	
Omal SR	240 / 480 / 960	Rotary	TZIDC/EDP	NAMUR	319604 + 7959110	
PBM						
PBM D	52 / 63 / 75 / 85 / 100	Rotary	TZIDC/EDP	NAMUR	319603 + 7959110	
PBM D	115 / 125 / 160 / 200 / 270	Rotary	TZIDC/EDP	NAMUR	319605 + 7959110	
PBM S	52 / 63 / 75 / 85 / 100	Rotary	TZIDC/EDP	NAMUR	319605 + 7959110	
Prime						
Prime RD / RS	5 / 8 / 12 / 20 / 30	Rotary	TZIDC/EDP	NAMUR	319603 + 7959110	
Prime RD / RS	40 / 60 / 100 / 200	Rotary	TZIDC/EDP	NAMUR	319605 + 7959110	
Prime RD / RS	250 / 370 / 500 / 750	Rotary	TZIDC/EDP	NAMUR	319605 + 7959110	
ProTech						
ProTech 72 / 73	200 / 250 / 300	Rotary	TZIDC/EDP	NAMUR	319603 + 7959110	
ProTech 72 / 73	400 / 500	Rotary	TZIDC/EDP	NAMUR	319605 + 7959110	
Radius						
Radius AD	005 / 030	Rotary	TZIDC/EDP	NAMUR	319603 + 7959110	
Radius AD	040 / 370	Rotary	TZIDC/EDP	NAMUR	319604 + 7959110	
Radius AD	500 / 750	Rotary	TZIDC/EDP	NAMUR	319605 + 7959110	

Actuator Make / Model	Model / Size	Stroke	Positioner	Drawing	Mounting Kit Part #	Comments
Remote Control						
Remote Control RCA / RCD	05 / 10 / 20 / 30	Rotary	TZIDC/EDP	NAMUR	319603 + 7959110	
Remote Control RCA / RCD	40 / 50 / 60 / 70	Rotary	TZIDC/EDP	NAMUR	319603 + 7959110	
Remote Control RCI	220-260 / 410-440	Rotary	TZIDC/EDP	NAMUR	319603 + 7959110	
Remote Control RCI	270 / 280 / 445	Rotary	TZIDC/EDP	NAMUR	319605 + 7959110	
Remote Control RCI	450 / 455 / 460	Rotary	TZIDC/EDP	NAMUR	319605 + 7959110	
Remote Control RCI	480	Rotary	TZIDC/EDP	NAMUR	319606 + 7959110	
REVCA						
REVCA Globe valve		3"-6"	TZIDC/EDP	Drwg in kit	B614B174U01	
Rotadisk						
Rotadisk F	3RD2.5 / 4RD5	Rotary	TZIDC/EDP	NAMUR	319603 + 7959110	
Rotadisk F	5RD10 / 7RD20	Rotary	TZIDC/EDP	NAMUR	319603 + 7959110	
Rotadisk F	10RD40 / 12RD80	Rotary	TZIDC/EDP	NAMUR	319605 + 7959110	
Rotadisk F	14RD160 / 16RD320	Rotary	TZIDC/EDP	NAMUR	319606 + 7959110	
Rotadisk F	25RD640	Rotary	TZIDC/EDP	NAMUR	319606 + 7959110	
Rotork						
Rotork R	180 / 400 / 750 / 1000 / 1500	Rotary	TZIDC/EDP	NAMUR	319603 + 7959110	
Rotork R	1500 / 2250 / 3000 / 7000	Rotary	TZIDC/EDP	NAMUR	319603 + 7959110	
Rotork RDA / RSR	52 / 63 / 75 / 85 / 100	Rotary	TZIDC/EDP	NAMUR	319603 + 7959110	
Rotork RDA / RSR	115 / 125 / 160 / 200 / 270	Rotary	TZIDC/EDP	NAMUR	319605 + 7959110	
Samson						
Samson 3277-5	3277-5	15-30mm	TZIDC/EDP	Drwg in kit	7959334	Integral mounting; use single-acting TZIDC V18345-40XX1or2...
Samson 3277	3277	15-30mm	TZIDC/EDP	Drwg in kit	7959136	Integral mounting; use single-acting TZIDC V18345-40XX1or2...
Samson 241 / 271 / 3241	241 / 271 / 3241	Linear	TZIDC/EDP	Drwg in kit	7959145	
Schubert & Salzer						
Schubert & Salzer GS	8020 / 8021 / 8023		TZIDC/EDP	Drwg in kit	7959200	
SED						
SED		100mm	TZIDC/EDP	Drwg in kit	7959141	
Sharpe						
Sharpe SP	50 / 63 / 75 / 85 / 100	Rotary	TZIDC/EDP	NAMUR	319603 + 7959110	
Sharpe SP	115 / 125 / 160 / 200 / 270	Rotary	TZIDC/EDP	NAMUR	319605 + 7959110	
Sibe						
Sibe	See Notes		TZIDC/EDP	In Progress	614C190U81	Need actuator picture for suitability verification
Sirca International S.R.L.						
Sirca AP	1-4	Rotary	TZIDC/EDP	NAMUR	319603 + 7959110	
Sirca AP	5 / 6	Rotary	TZIDC/EDP	NAMUR	319605 + 7959110	
Sirca AP	8	Rotary	TZIDC/EDP	NAMUR	319606 + 7959110	
Sure-Seal						
Sure-Seal	52 / 103 / 148	Rotary	TZIDC/EDP	NAMUR	319603 + 7959110	

Actuator Make / Model	Model / Size	Stroke	Positioner	Drawing	Mounting Kit Part #	Comments
SVF						
SVF H35		Linear	TZIDC/EDP	PN25131	614C190U49	
Tech Torq						
Tech Torq TDA / TSR	2 / 4 / 8 / 12 / 20 / 35	Rotary	TZIDC/EDP	NAMUR	319603 + 7959110	
Tech Torq TDA / TSR	55 / 70 / 100 / 150	Rotary	TZIDC/EDP	NAMUR	319605 + 7959110	
TECOFI						
Tecofi DA	63 / 75 / 85 / 100	Rotary	TZIDC/EDP	NAMUR	319603 + 7959110	
Tecofi DA	115 / 125 / 180 / 200 / 270	Rotary	TZIDC/EDP	NAMUR	319605 + 7959110	
Tecofi SR	63 / 85 / 100	Rotary	TZIDC/EDP	NAMUR	319603 + 7959110	
Tecofi SR	115 / 160 / 200	Rotary	TZIDC/EDP	NAMUR	319605 + 7959110	
Triac						
Triac TR	20 - 300	Rotary	TZIDC/EDP	NAMUR	319603 + 7959110	
Triac TR	500 - 1750	Rotary	TZIDC/EDP	NAMUR	319605 + 7959110	
Trimteck						
Trimteck Optimux	Globe Valve 25	3/4"	TZIDC/EDP	Drwg in kit	B668A009U01	Same as Flowserve Mark 1 size 25/50
Trueline						
Trueline DA / SR	20 / 40 / 130 / 200 / 300	Rotary	TZIDC/EDP	NAMUR	319604 + 7959110	
Trueline DA / SR	500 / 850 / 1200 / 1750	Rotary	TZIDC/EDP	NAMUR	319604 + 7959110	
TruTorq						
Trutorq TDA	2 / 4 / 8 / 12 / 20	Rotary	TZIDC/EDP	NAMUR	319603 + 7959110	
Trutorq TDA	35	Rotary	TZIDC/EDP	NAMUR	319604 + 7959110	
Trutorq TDA	55 / 70 / 100 / 150	Rotary	TZIDC/EDP	NAMUR	319605 + 7959110	
Trutorq TFR	250	Rotary	TZIDC/EDP	NAMUR	319606 + 7959110	
Tyco (Morin)						
Tyco MRP	4	Rotary	TZIDC/EDP	NAMUR	319603 + 7959110 + T	T = Also needed is Tyco part # F43011
Tyco MRP	9-14	Rotary	TZIDC/EDP	NAMUR	319603 + 7959110 + T	T = Also needed is Tyco part # F43012
Tyco MRP	25-88	Rotary	TZIDC/EDP	NAMUR	319603 + 7959110 + T	T = Also needed is Tyco part # F43013
UltraTorq						
UltraTorq U	20 / 30 / 52 / 73 / 103	Rotary	TZIDC/EDP	NAMUR	319603 + 7959110	
UltraTorq U	103 / 148 / 222 / 295	Rotary	TZIDC/EDP	NAMUR	319603 + 7959110	
UltraTorq U	586 / 1213 / 2366 / 2958	Rotary	TZIDC/EDP	NAMUR	319605 + 7959110	
Unitorq						
Unitorq M / I	10 - 470	Rotary	TZIDC/EDP	NAMUR	319603 + 7959110	
Unitorq M / I	586 - 4200	Rotary	TZIDC/EDP	NAMUR	319605 + 7959110	
US Style Globe Valves						
Rising Stem type	0.5" - 1.5" stroke	Linear	TZIDC/EDP	Drwg in kit	B614B074U05	
Rising Stem type	1.5" - 3.0" stroke	Linear	TZIDC/EDP	Drwg in kit	B614B074U02	
Rising Stem type	3.0" - 6.0" stroke	Linear	TZIDC/EDP	Drwg in kit	B614B074U04	

Actuator Make / Model	Model / Size	Stroke	Positioner	Drawing	Mounting Kit Part #	Comments
Valbia						
Valbia DA / SR	52 / 63 / 75 / 85 / 100	Rotary	TZIDC/EDP	NAMUR	319603 + 7959110	
Valbia DA / SR	115/ 125 / 160 / 200 / 270	Rotary	TZIDC/EDP	NAMUR	319605 + 7959110	
Valtek / Flowserve						
Valtek	FlowAct FlowTop Valve	Linear	TZIDC/EDP	DIN/IEC 534	79590126	
Valtek	25 / 50	Rotary	TZIDC/EDP	Drwg in kit	B614B095U01 + 7959110	
Valtek Mark 1	25 / 50	Linear	TZIDC/EDP	Drwg in kit	B668A009U01	
Valtek Mark 1	100	0.5"-3.0"	TZIDC/EDP	Drwg in kit	B614B140U02	
Valtek Mark 1	100	3.0"-6.0"	TZIDC/EDP	Drwg in kit	B614B140U03	
VCI						
VCI AP	1 / 2 / 3 / 3.5 / 4	Rotary	TZIDC/EDP	NAMUR	319603 + 7959110	
VCI AP	4.5 / 5 / 5.5 / 6	Rotary	TZIDC/EDP	NAMUR	319605 + 7959110	
VCI AP	8	Rotary	TZIDC/EDP	NAMUR	319606 + 7959110	
Warren Controls						
Warren DL84		3/4"	TZIDC/EDP	DIN/IEC 534	7959125	
Watts						
Watts PAS-1000			TZIDC/EDP	Drwg in kit	B614B156U01 + 7959110	
Westinghouse						
Westinghouse Actuator	8x14 cylinder	Linear	TZIDC/EDP	In Progress	5328964A73	Mounting+Shaft arm for TZIDC on side of actuator (similar to UP large case style)
W.E. Anderson (Lin-E-Aire)						
Lin-E-Air Termination No's	230 / 231 / 233		TZIDC/EDP	Drwg in kit	B614B143U01	
Worcester						
Worcester Rev 6	1039 / 1539 / 2039	Rotary	TZIDC/EDP	NAMUR	319603 + 7959110	
Worcester Rev 6	2539 / 3039 / 3339 / 3539	Rotary	TZIDC/EDP	NAMUR	319604 + 7959110	
Worcester Rev 6	4039 / 4239	Rotary	TZIDC/EDP	NAMUR	319606 + 7959110	
Xomox						
XOMOX XS	6 / 12 / 25 / 50	Rotary	TZIDC/EDP	NAMUR	319603 + 7959110	
XOMOX XS	90 / 130 / 180 / 205 / 360 / 380	Rotary	TZIDC/EDP	NAMUR	319605 + 7959110	
XOMOX MATRYX	MX60	Rotary	TZIDC/EDP	Drwg in kit	B614B129U01 + 7959110	
XOMOX MATRYX	MX200	Rotary	TZIDC/EDP	Drwg in kit	B614B129U02 + 7959110	
XOMOX MATRYX	MX450	Rotary	TZIDC/EDP	Drwg in kit	B614B129U03 + 7959110	
XOMOX MATRYX	MX1250	Rotary	TZIDC/EDP	Drwg in kit	B614B129U04 + 7959110	
XOMOX MATRYX	MX200	Rotary	AV	Drwg in kit	VA20516	Outsource from VanAire
XOMOX MATRYX	MX750	Rotary	AV	Drwg in kit	VA20517	Outsource from VanAire
Yarway						
Yarway Turbo Cascade	3	Linear	TZIDC/EDP	In progress	614C190U60	For actuator that already has split block stud

Actuator Make / Model	Model / Size	Stroke	Positioner	Drawing	Mounting Kit Part #	Comments
Other Accessories						
Mounting Kit DIN / IEC 534	10-35mm		TZIDC/EDP	DIN/IEC 534	7959125	
Mounting Kit DIN / IEC 534	25-100mm		TZIDC/EDP	DIN/IEC 534	7959126	
DIN / IEC 534 Lever	10-35mm		TZIDC/EDP	DIN/IEC 534	7959151	
DIN / IEC 534 Lever	25-100mm		TZIDC/EDP	DIN/IEC 534	7959152	
USA Lever with small slot	25-100mm		TZIDC/EDP		625B382U04	
Connecting rod length 9.6" with 6"thread			TZIDC/EDP	SD-50-3017	5318629A4	

Contact us

ABB Inc.

125 East County Line Road
Warminster, PA 18974
Phone: 215-674-6001
Fax: 215-674-7183

www.abb.com/measurement

Note:

We reserve the right to make technical changes or modify the contents of this document without prior notice. With regard to purchase orders, the agreed particulars shall prevail. ABB does not accept any responsibility whatsoever for potential errors or possible lack of information in this document.

We reserve all rights to this document and in the subject matter and illustrations contained therein. Any reproduction, disclosure to third parties or utilization of its contents – in whole or in parts – is forbidden without prior written consent of ABB.

Copyright © 2015 ABB
All rights reserved

Created in Warminster, PA / Ken Frisbie

TI-A-EDP300-TZIDC-AV_Mounting_Kits_A 9.8.15