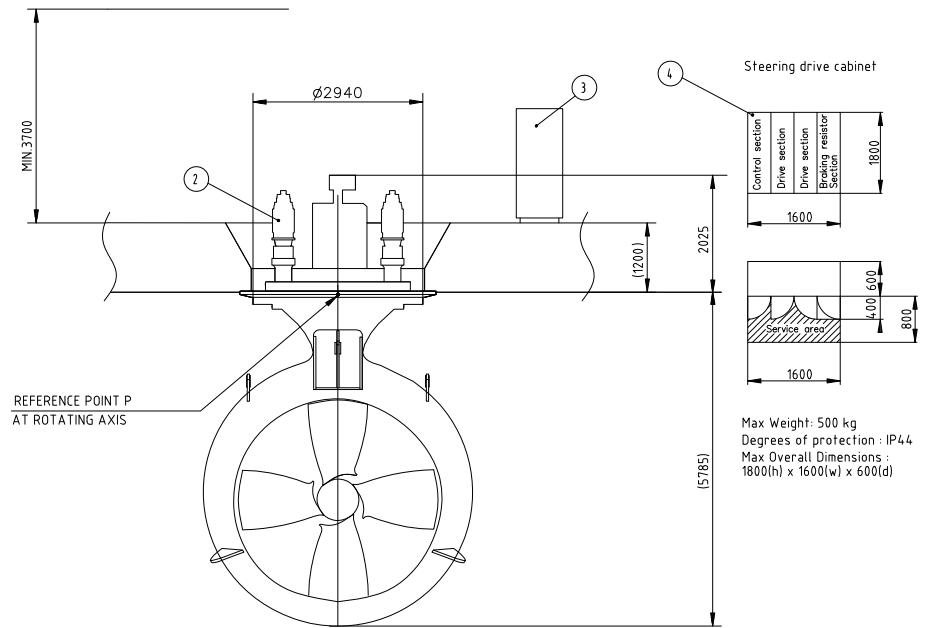
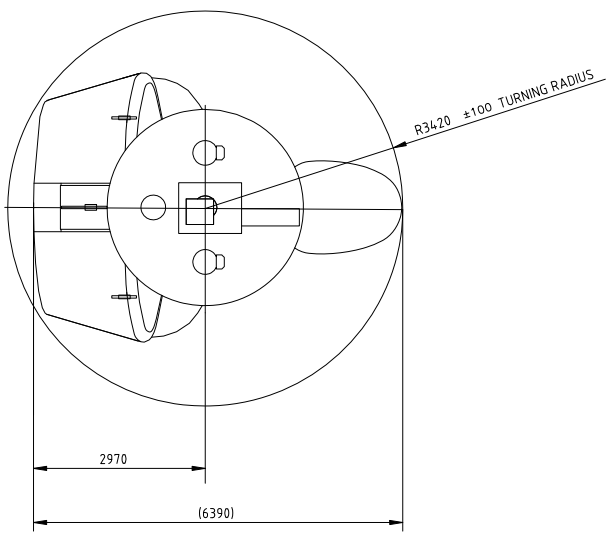
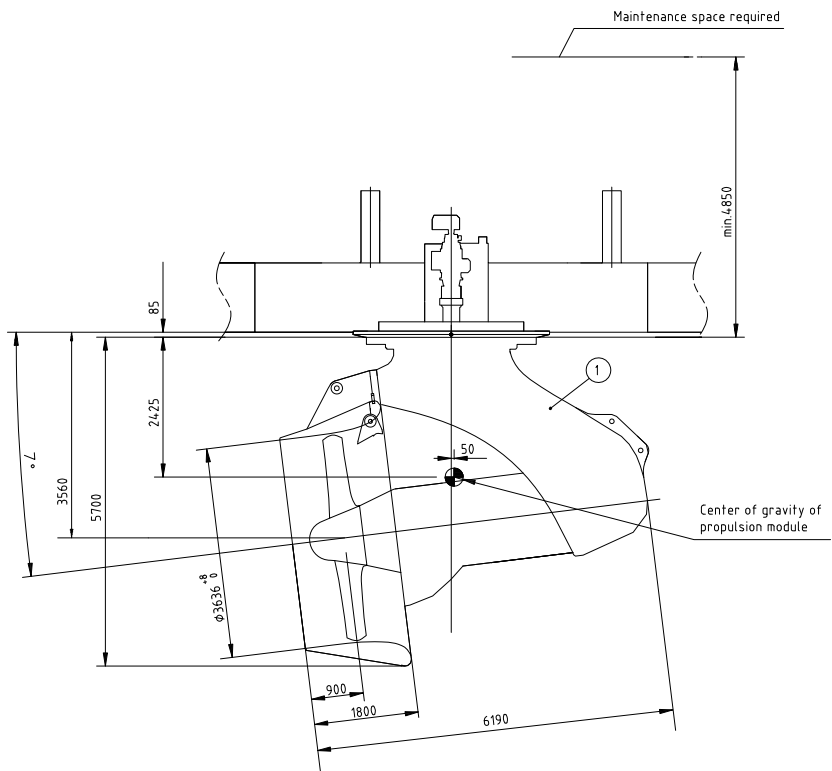


We reserve all rights in this document and in the information contained therein. Reproduction, use or disclosure to third parties without the written permission of ABB Oy, Marine & Turbocharging, Propulsion Units.
 Symbols for roughness according to ISO 1302 . 9ADA. 431
 General tolerances for linear and angular dimensions and geometrical tolerances: ISO 2768 -mK Referential standards BADA 422 . DIN 71681.1



Max Weight: 500 kg
 Degrees of protection: IP44
 Max Overall Dimensions:
 1800(h) x 1600(w) x 600(d)

Azipod Weight 79 850 kg
 Under water volume 18 m³

Number	Part	Weight [kg]
1	Propulsion Module (incl. propeller)	74 500/46 700*
2	Steering motor	330 / unit
3	Auxiliary Device Cabinet	800
4	Steering Drive Cabinet	500 / unit

x) Weight in water

Prepared 2012-12-11 K.Autio	Separate part list with separate No. <input type="checkbox"/>	Title MAIN DIMENSIONS	Scale 1:50
Reviewed	Responsible department VAR	Distribution Functional code AH	Language EN
Approved	Original dwg		
Distribution Functional code AH		Order No. 79 850 kg	Weight type AZIPOD CZ1400L-R2300
Marine & Turbocharging, Helsinki		Document No. 3AFV	Mounting Size A2
		Revision A	Sheet 1/1