

  
MEDIUM VOLTAGE PRODUCT

# TJP 6.0

## Indoor voltage transformers



Parameters	Values
Highest voltage for equipment	17.5 – 24 (25) kV
Power frequency test voltage, 1 min.	38 - 50 kV
Lightning impulse test voltage	95 - 125 kV
Fuses	0.3 - 6.3 A
Max. rated burden, classes	50/0.2 - 150/0.5 - 200/1 VA/cl
Residual winding	50 - 200/6P VA/cl

### Description

The TJP 6.0 epoxy insulated voltage transformers are cast in epoxy resin and designed mostly for insulation voltages of 17.5 to 24(25) kV.

If no a different value is required the transformers are manufactured with a overvoltage factor of  $1.9 \times U_n/8$  hrs. One outlet of the primary winding, including the respective terminal is insulated from the earth to a level which corresponds to the rated insulation value. The other outlet of primary winding with its terminal is earthed during the operation. Most of the transformers are equipped with two secondary windings, the first one for either measuring or protection purposes, the other for being connected into an open-delta connection in a three-phase system. One terminal of each secondary winding and one of the opendelta connected terminals have to be earthed during the transformer operation.

The secondary windings are lead out into a cast-type secondary terminal board. The secondary terminal board is covered with a sealed plastic cover.

The transformer can be mounted in any position. The transformer body is fixed by four screws.

The TJP 6.0 transformer is equipped with a fuse conformably to IEC standard. The design of TJP 6.0 is suitable for ABB AIS panels (see HV terminal and the position of the secondary terminals).

The TJP 6.0 in variant (K) is equipped with a fuse conformably to IEC standard and the design of the variant is suitable for the cable connection. (K) version can be supplied based on customer requirement.

### Rated primary voltages

$15/\sqrt{3}$  kV;  $20/\sqrt{3}$  kV;  $22/\sqrt{3}$  kV; Other primary voltages can also be supplied on request.

### Rated secondary voltages

$100/\sqrt{3}$  V;  $110/\sqrt{3}$  V – accuracy classes 0.2; 0.5; 1 (measuring winding) or 3P; 6P (protection winding). Other secondary voltages can also be supplied on request.

### Rated voltages for open-delta connection

$100/3$  V;  $110/3$  V - class 6P. Other voltages for open-delta connection can also be supplied based on customer requirement.

### Rated frequency

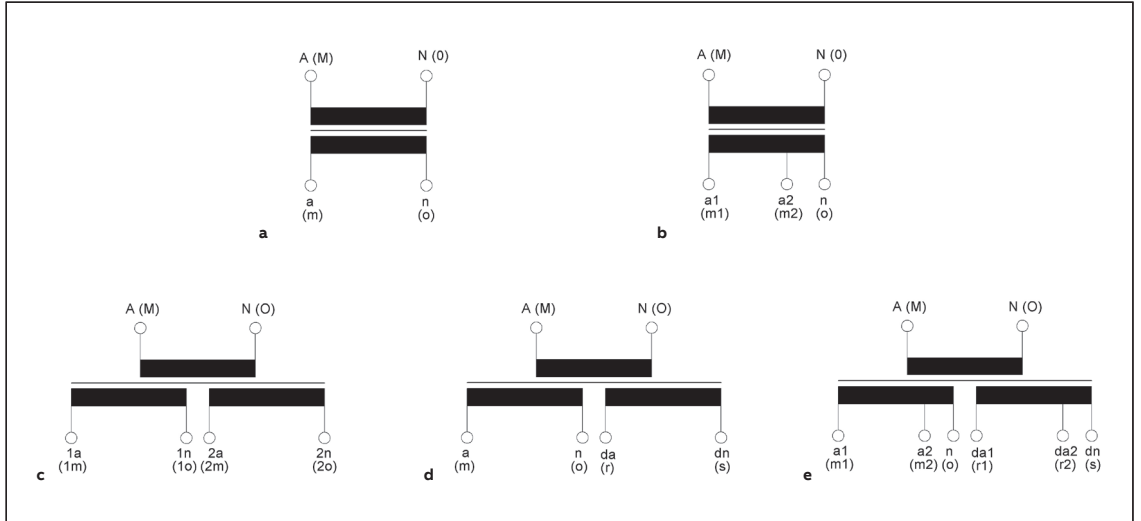
50 Hz; 60 Hz.

Based on a discussion with the manufacturer the transformer can also be designed for two primary voltage levels (with change over secondary side).

The transformers are manufactured conformably to the requirements and recommendations of the following standards and regulations: IEC, VDE, IEEE, BS, GOST and CSN.

For marking of the voltage transformer outlets see picture 01 a-e.

—  
 01 Marking of the voltage transformers outlets  
**a** Single-pole insulated transformer  
**b** Single-pole insulated transformer with a tap  
**c** Single-pole insulated transformer with two secondary windings  
**d** Single-pole insulated transformer with two secondary windings, with one of which being the auxiliary (residual) winding  
**e** Single-pole insulated transformer with two secondary windings, with one which being the auxiliary (residual) winding



—  
 01

**Standard execution of the transformers**

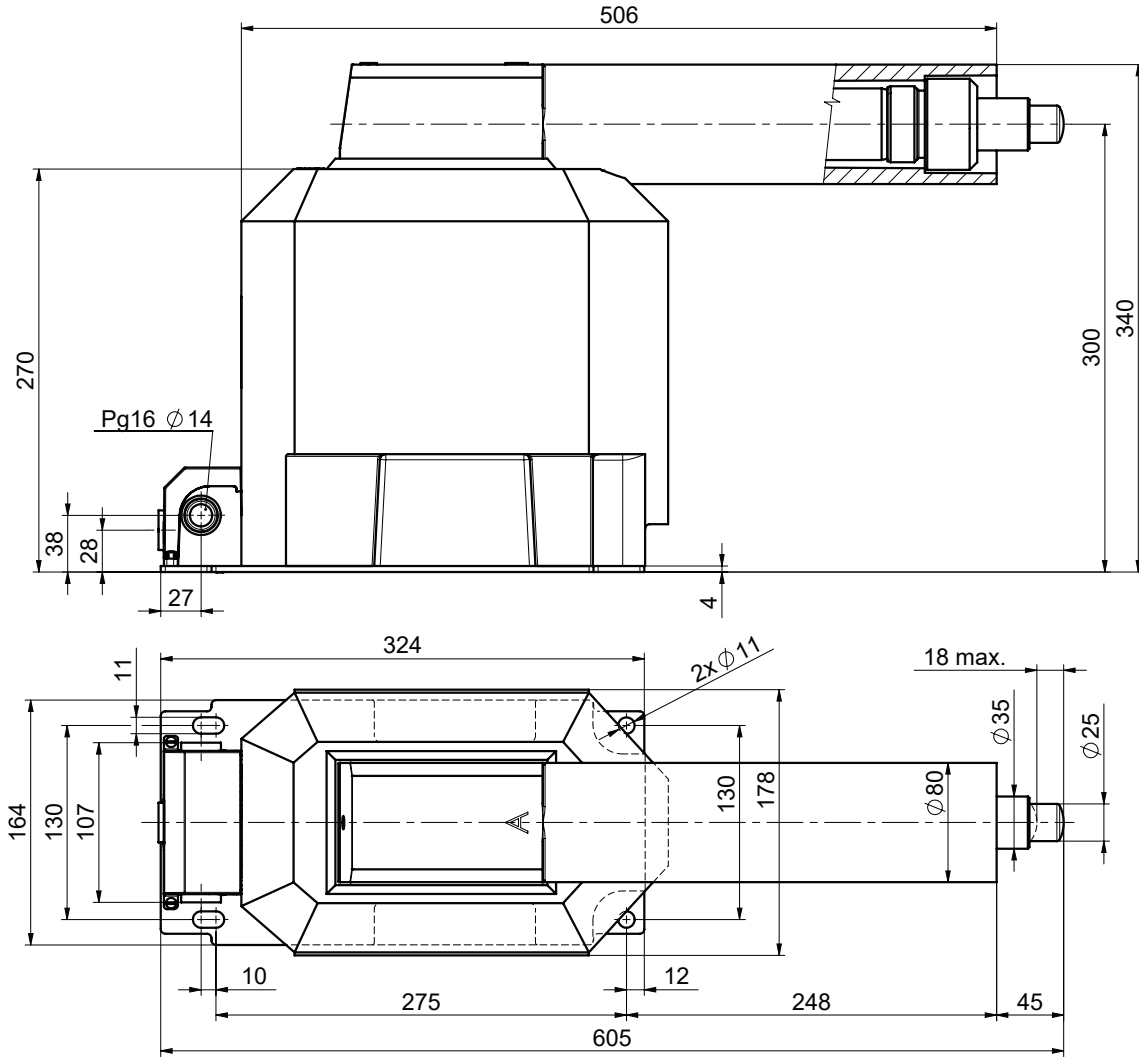
Primary voltage, [V]	Secondary voltage			Residual winding		
	voltage, [V]	accuracy	burden, [VA]	voltage, [V]	accuracy	burden, [VA]
15 000/√3	100/√3	0.2	10;15;25			
15 000/√3	100/√3	0.2	10;15;25	100/3	6P	50
15 000/√3	100/√3	0.2	10;15;25	100/3	6P	100
15 000/√3	110/√3	0.2	10;15;25			
15 000/√3	110/√3	0.2	10;15;25	110/3	6P	50
15 000/√3	110/√3	0.2	10;15;25	110/3	6P	100
15 000/√3	100/√3	0.5	15;25;50			
15 000/√3	100/√3	0.5	15;25;50	100/3	6P	50
15 000/√3	100/√3	0.5	15;25;50	100/3	6P	100
15 000/√3	110/√3	0.5	15;25;50			
15 000/√3	110/√3	0.5	15;25;50	110/3	6P	50
15 000/√3	110/√3	0.5	15;25;50	110/3	6P	100
15 000/√3	100/√3	1	50;75;100			
15 000/√3	100/√3	1	50;75;100	100/3	6P	50
15 000/√3	100/√3	1	50;75;100	100/3	6P	100
15 000/√3	110/√3	1	50;75;100			
15 000/√3	110/√3	1	50;75;100	110/3	6P	50
15 000/√3	110/√3	1	50;75;100	110/3	6P	100
20 000/√3	100/√3	0.2	10;15;25			
20 000/√3	100/√3	0.2	10;15;25	100/3	6P	50
20 000/√3	100/√3	0.2	10;15;25	100/3	6P	100
20 000/√3	110/√3	0.2	10;15;25			
20 000/√3	110/√3	0.2	10;15;25	110/3	6P	50
20 000/√3	110/√3	0.2	10;15;25	110/3	6P	100
20 000/√3	100/√3	0.5	15;25;50			
20 000/√3	100/√3	0.5	15;25;50	100/3	6P	50
20 000/√3	100/√3	0.5	15;25;50	100/3	6P	100
20 000/√3	110/√3	0.5	15;25;50			
20 000/√3	110/√3	0.5	15;25;50	110/3	6P	50
20 000/√3	110/√3	0.5	15;25;50	110/3	6P	100
20 000/√3	100/√3	1	50;75;100			
20 000/√3	100/√3	1	50;75;100	100/3	6P	50
20 000/√3	100/√3	1	50;75;100	100/3	6P	100

Primary voltage, [V]	Secondary voltage			Residual winding		
	voltage, [V]	accuracy	burden, [VA]	voltage, [V]	accuracy	burden, [VA]
20 000/ $\sqrt{3}$	110/ $\sqrt{3}$	1	50;75;100			
20 000/ $\sqrt{3}$	110/ $\sqrt{3}$	1	50;75;100	110/3	6P	50
20 000/ $\sqrt{3}$	110/ $\sqrt{3}$	1	50;75;100	110/3	6P	100
22 000/ $\sqrt{3}$	100/ $\sqrt{3}$	0.2	10;15;25			
22 000/ $\sqrt{3}$	100/ $\sqrt{3}$	0.2	10;15;25	100/3	6P	50
22 000/ $\sqrt{3}$	100/ $\sqrt{3}$	0.2	10;15;25	100/3	6P	100
22 000/ $\sqrt{3}$	110/ $\sqrt{3}$	0.2	10;15;25			
22 000/ $\sqrt{3}$	110/ $\sqrt{3}$	0.2	10;15;25	110/3	6P	50
22 000/ $\sqrt{3}$	110/ $\sqrt{3}$	0.2	10;15;25	110/3	6P	100
22 000/ $\sqrt{3}$	100/ $\sqrt{3}$	0.5	15;25;50			
22 000/ $\sqrt{3}$	100/ $\sqrt{3}$	0.5	15;25;50	100/3	6P	50
22 000/ $\sqrt{3}$	100/ $\sqrt{3}$	0.5	15;25;50	100/3	6P	100
22 000/ $\sqrt{3}$	110/ $\sqrt{3}$	0.5	15;25;50			
22 000/ $\sqrt{3}$	110/ $\sqrt{3}$	0.5	15;25;50	110/3	6P	50
22 000/ $\sqrt{3}$	110/ $\sqrt{3}$	0.5	15;25;50	110/3	6P	100
22 000/ $\sqrt{3}$	100/ $\sqrt{3}$	1	50;75;100			
22 000/ $\sqrt{3}$	100/ $\sqrt{3}$	1	50;75;100	100/3	6P	50
22 000/ $\sqrt{3}$	100/ $\sqrt{3}$	1	50;75;100	100/3	6P	100
22 000/ $\sqrt{3}$	110/ $\sqrt{3}$	1	50;75;100			
22 000/ $\sqrt{3}$	110/ $\sqrt{3}$	1	50;75;100	110/3	6P	50
22 000/ $\sqrt{3}$	110/ $\sqrt{3}$	1	50;75;100	110/3	6P	100

# Dimensional Drawings

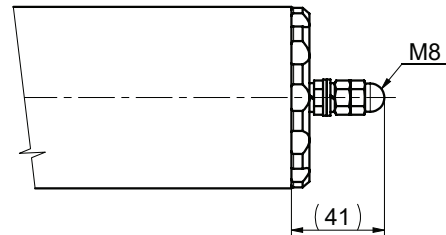
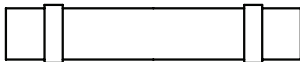
**TJP 6.0**

Weight: appr. 42 kg  
Creepage Distance: 548 mm



VARIANT (K) - FOR CABLE CONNECTION  
CREEPAGE DISTANCE: 566mm

fuse IEC 60282-1



Drawing n.
44204070

Drawing n.
1VL4200419R0101

---

**CONTACT US**

ABB s.r.o.  
ELDS Brno  
Videnska 117, 619 00 Brno,  
Czech Republic  
Tel.: +420 547 152 021  
+420 547 152 854  
Fax: +420 547 152 626  
E-mail: kontakt@cz.abb.com

[www.abb.com](http://www.abb.com)

---

**NOTE**

We reserve the right to make technical changes or modify the contents of this document without prior notice. With regard to purchase orders, the agreed particulars shall prevail. ABB does not accept any responsibility whatsoever for potential errors or possible lack of information in this document.

We reserve all rights in this document and in the subject matter and illustrations contained therein. Any reproduction, disclosure to third parties or utilization of its contents - in whole or in parts - is forbidden without prior written consent of ABB.

Copyright© 2019 ABB  
All rights reserved