

V_{RRM}	=	4500 V
$I_{F(AV)M}$	=	2620 A
I_{FSM}	=	$56 \cdot 10^3$ A
V_{F0}	=	1.10 V
r_F	=	0.47 m Ω
$V_{DC-Link}$	=	2800 V

Fast Recovery Diode

5SDF 28L4521

Doc. No. 5SYA1187-02 Nov. 17

- Industry standard housing
- Cosmic radiation withstand rating
- Optimized low on-state
- Optimized for IGBT operation
- High RBSOA up to high di/dt

Blocking

Maximum rated values ¹⁾

Parameter	Symbol	Conditions	5SDF 28L4521	Unit
Repetitive peak reverse voltage	V_{RRM}	$f = 50$ Hz, $t_p = 10$ ms, $T_{vj} = 140$ °C	4500	V
Permanent DC voltage for 100 FIT failure rate	$V_{DC-link}$	Ambient cosmic radiation at sea level in 100% Duty	2800	V
		open air. 5% Duty	3200	

Characteristic values

Parameter	Symbol	Conditions	min	typ	max	Unit
Reverse leakage current	I_{RRM}	V_{RRM} , $T_{vj} = 140$ °C			120	mA

Mechanical data

Maximum rated values ¹⁾

Parameter	Symbol	Conditions	min	typ	max	Unit
Mounting force	F_M		36	40	70	kN
Acceleration	a	Device unclamped			50	m/s ²
Acceleration	a	Device clamped			200	m/s ²

Characteristic values

Parameter	Symbol	Conditions	min	typ	max	Unit
Weight	m				1.45	kg
Housing thickness	H	$F_M = 40$ kN, $T_a = 25$ °C	25.4		25.8	mm
Surface creepage distance	D_s		33			mm
Air strike distance	D_a		14			mm

1) Maximum rated values indicate limits beyond which damage to the device may occur

ABB Switzerland Ltd, Semiconductors reserves the right to change specifications without notice.



On-state

Maximum rated values ¹⁾

Parameter	Symbol	Conditions	min	typ	max	Unit
Average on-state current	$I_{F(AV)M}$	Half sine wave, $T_c = 70\text{ °C}$			2620	A
RMS on-state current	$I_{F(RMS)}$				4120	A
Peak non-repetitive surge current	I_{FSM}	$t_p = 10\text{ ms}$, $T_{vj} = 140\text{ °C}$, sine half wave, $V_R = 0\text{ V}$, after surge			$56 \cdot 10^3$	A
Limiting load integral	I^2t				$15.7 \cdot 10^6$	A ² s

Characteristic values

Parameter	Symbol	Conditions	min	typ	max	Unit
On-state voltage	V_F	$I_F = 3300\text{ A}$, $T_{vj} = 140\text{ °C}$		2.35	2.6	V
Threshold voltage	V_{F0}	$I_F = 500 \dots 4000\text{ A}$, $T_{vj} = 140\text{ °C}$			1.10	V
Slope resistance	r_F				0.47	mΩ

Turn-on

Characteristic values

Parameter	Symbol	Conditions	min	typ	max	Unit
Peak forward recovery voltage	V_{FRM}	$di/dt = 3000\text{ A}/\mu\text{s}$, $I_{FM} = 5500\text{ A}$, $T_{vj} = 140\text{ °C}$		200		V

Turn-off

Maximum rated values ¹⁾

Parameter	Symbol	Conditions	min	typ	max	Unit
Max. decay rate of on-state current	di/dt_{crit}	$I_F = 3000\text{ A}$, $V_{DC-Link} = 3000\text{ V}$, $L_\sigma = 200\text{ nH}$			5300	A/ μs

Characteristic values

Parameter	Symbol	Conditions	min	typ	max	Unit
Reverse recovery charge	Q_{rr}	$I_F = 3300\text{ A}$, $V_{DC-Link} = 2800\text{ V}$, $di/dt = 5000\text{ A}/\mu\text{s}$, $L_\sigma = 200\text{ nH}$, IGBT = 5SNA 2000K450300, $T_{vj} = 140\text{ °C}$, $V_{GE} = \pm 15\text{ V}$		10100	12000	μAs
Reverse recovery current	I_{RM}			4100	5000	A
Turn-off energy	E_{rr}			21.5	24.90	J

Thermal

Maximum rated values ¹⁾

Parameter	Symbol	Conditions	min	typ	max	Unit
Operating junction temperature range	T_{vj}				140	°C
Storage temperature range	T_{stg}		-40		125	°C

Characteristic values

Parameter	Symbol	Conditions	min	typ	max	Unit
Thermal resistance junction to case	$R_{th(j-c)}$	Double-side cooled $F_m = 36... 70$ kN			6	K/kW
	$R_{th(j-c)A}$	Anode-side cooled $F_m = 36... 70$ kN			11.2	K/kW
	$R_{th(j-c)C}$	Cathode-side cooled $F_m = 36... 70$ kN			12.9	K/kW
Thermal resistance case to heatsink	$R_{th(c-h)}$	Double-side cooled $F_m = 36... 70$ kN			3	K/kW
	$R_{th(c-h)}$	Single-side cooled $F_m = 36... 70$ kN			6	K/kW

Analytical function for transient thermal impedance:

$$Z_{th(j-c)}(t) = \sum_{i=1}^n R_i (1 - e^{-t/\tau_i})$$

i	1	2	3	4
R_i (K/kW)	3.708	1.426	0.686	0.176
τ_i (s)	0.5336	0.0670	0.0074	0.0011

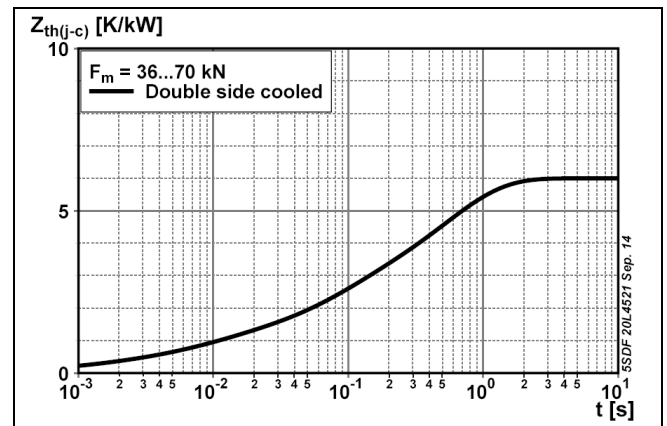


Fig. 1 Transient thermal impedance (junction-to-case) vs. time

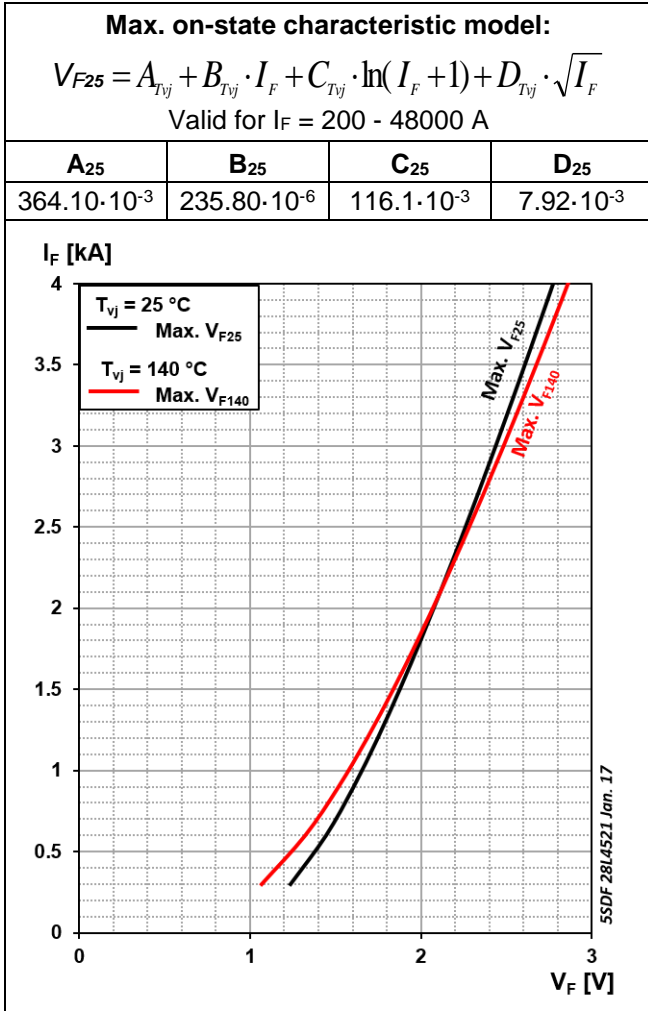


Fig. 2 On-state voltage characteristics

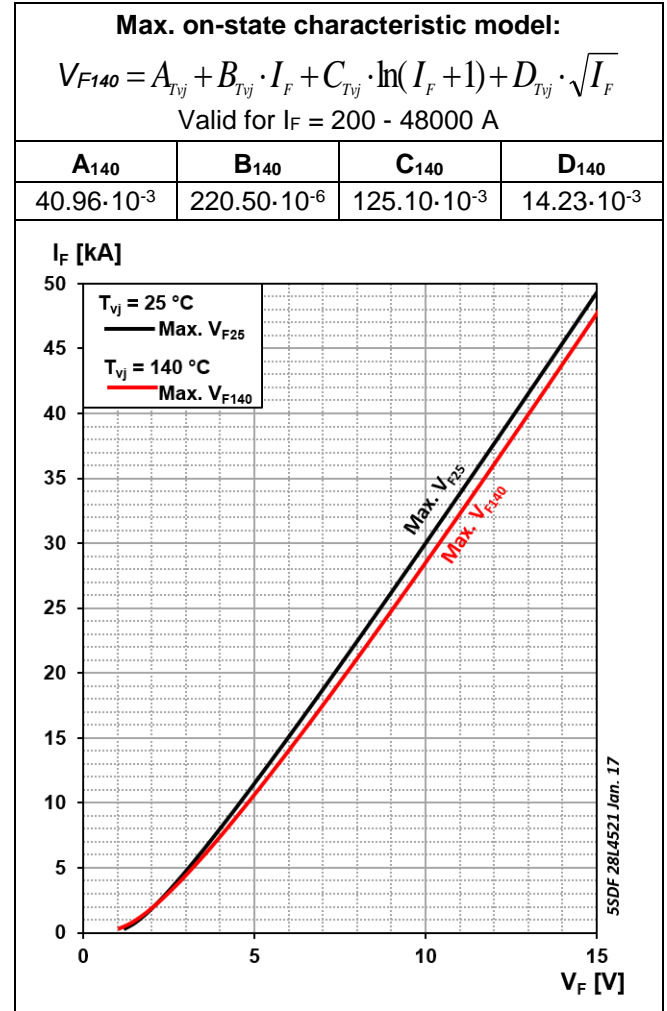


Fig. 3 On-state voltage characteristics

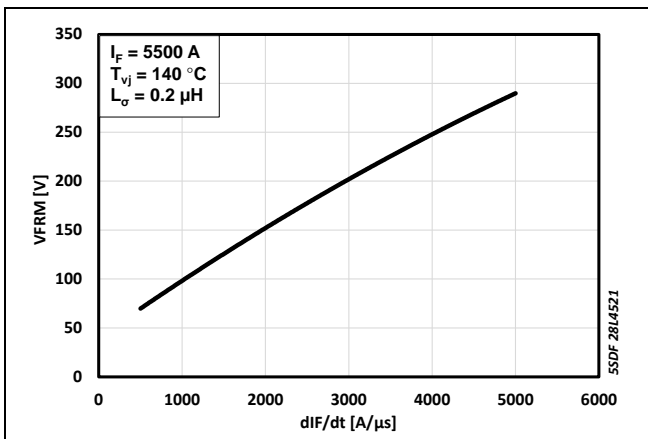


Fig. 4 Peak forward recovery voltage (typical values)

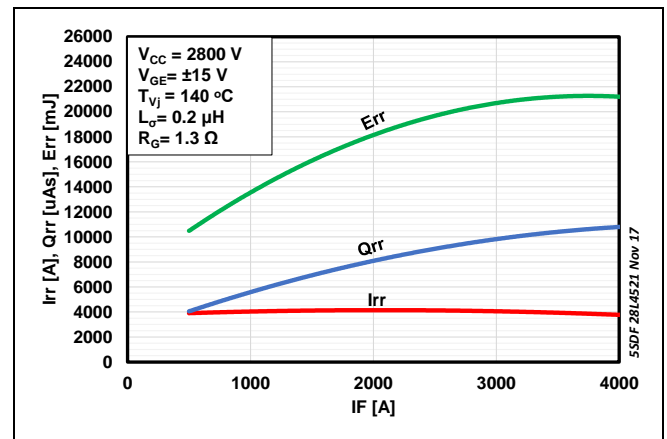


Fig. 5 Reverse recovery characteristics (typical values)

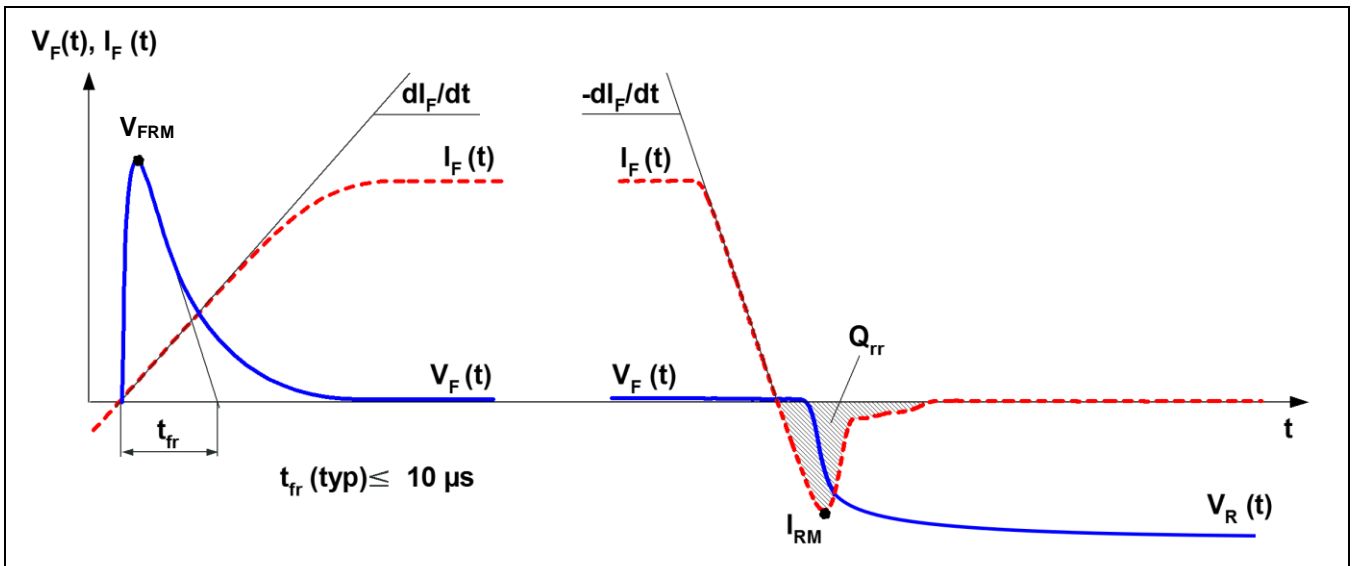


Fig. 6 General current and voltage waveforms

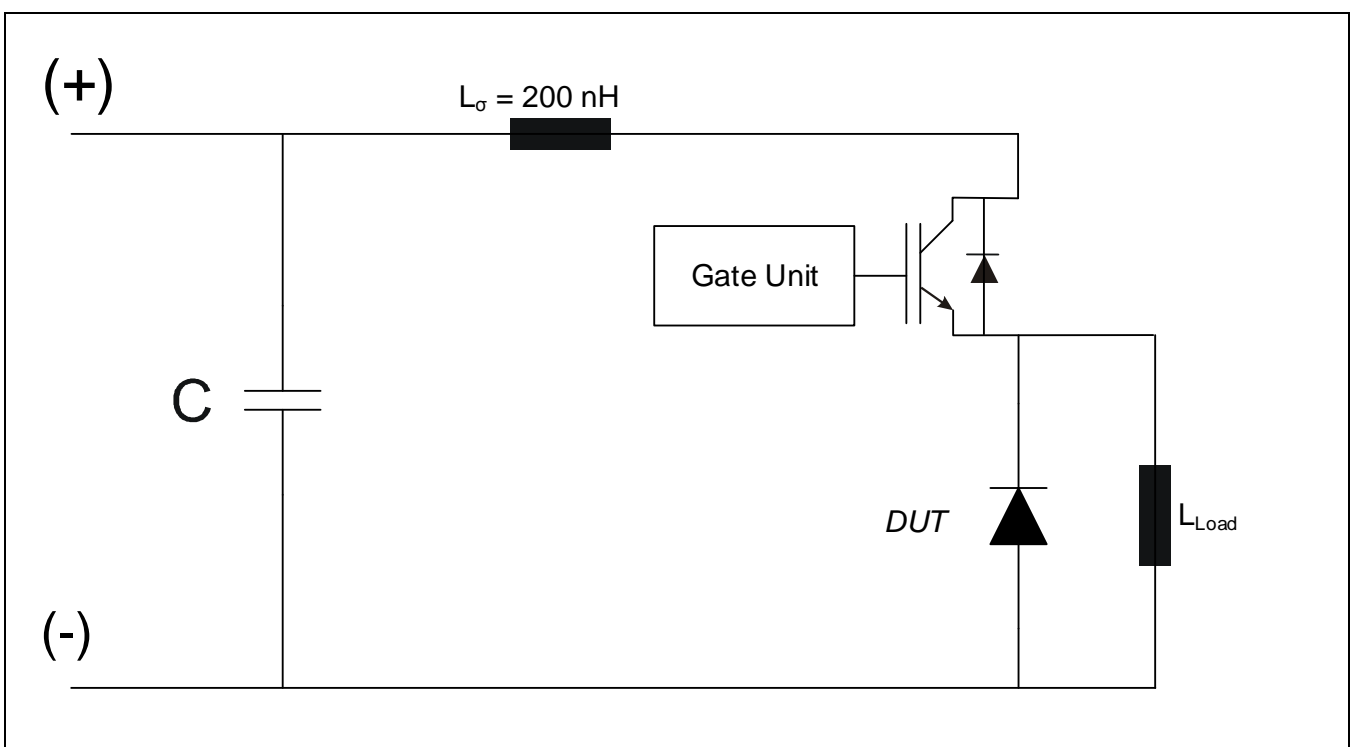


Fig. 7 Reverse recovery test circuit. Fast Recovery Diode (DUT) in IGBT Application.

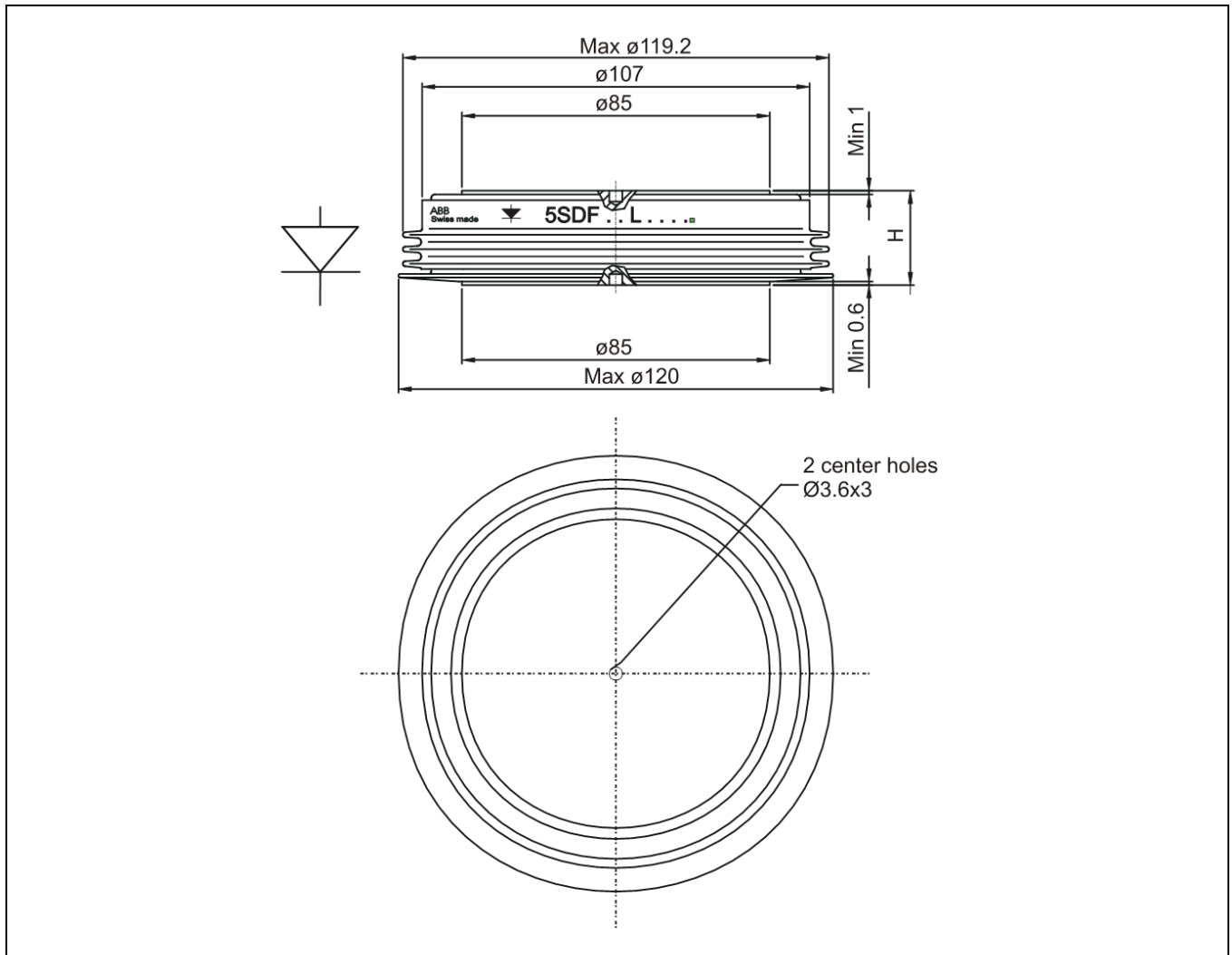


Fig. 8 Device Outline Drawing

Related documents:

Doc. Nr.	Title
5SYA 2036	Recommendations regarding mechanical clamping of Press Pack High Power Semiconductors
5SYA 2064	Applying Fast Recovery Diodes
5SZK 9104	Specification of environmental class for pressure contact diodes, PCTs and GTO, STORAGE
5SZK 9105	Specification of environmental class for pressure contact diodes, PCTs and GTO, TRANSPORTATION
5SZK 9115	Specification of environmental class for presspack Diodes, PCTs and GTOs, OPERATION (Industry)
5SZK 9116	Specification of environmental class for presspack Diodes, PCTs and GTOs, OPERATION (Traction)

Please refer to <http://www.abb.com/semiconductors> for current version of documents.

ABB Switzerland Ltd, Semiconductors reserves the right to change specifications without notice.



ABB Switzerland Ltd
Semiconductors
 Fabrikstrasse 3
 CH-5600 Lenzburg, Switzerland

Doc. No. 5SYA1187-02 Nov. 17

Telephone +41 (0)58 586 1419
 Fax +41 (0)58 586 1306
 Email abbsem@ch.abb.com
 Internet www.abb.com/semiconductors