
 TECHNICAL DATA SHEET

PMAFIX IP66 - BVYD - Y-Junction

PMA



One-piece, polyamide Y-junction for flexible non-metallic conduit



Applications:

- For cable protection systems in a wide range of applications

Features & Benefits:

- Very high impact resistance
- Vibration-proof connection to PMAFLEX Conduits
- Easy installation: simple push fit assembly
- High conduit pull-out strength
- Can be easily re-opened with a screwdriver
- Very good chemical properties
- Fits both conduit profiles - fine (T) and coarse (G)

Ingress protection:

- IP66 (EN/IEC 60529)

Materials:

- High-grade, specially formulated polyamide 6

Compatible with:

- PMAFLEX Pro Conduits
- PMAFLEX Multilayer Conduits
- PMAFLEX Conduits
- PMA Smart Line Conduits

Conforms to:

- EN 45545-2 HL3 (R22 & R23)
- NFPA 130
- UL 94 (V0)
- UL 1696 (UL file E80294)
- CSA C22.2 No. 227.3-05 (CSA file LL 88703)

Weathering resistance:

- Very good UV resistance and weathering characteristics, particularly in black

Colour:

- Black
- Grey

Chemical properties:

- Please refer to www.pma.ch (Technical Information / Chemical Resistance)

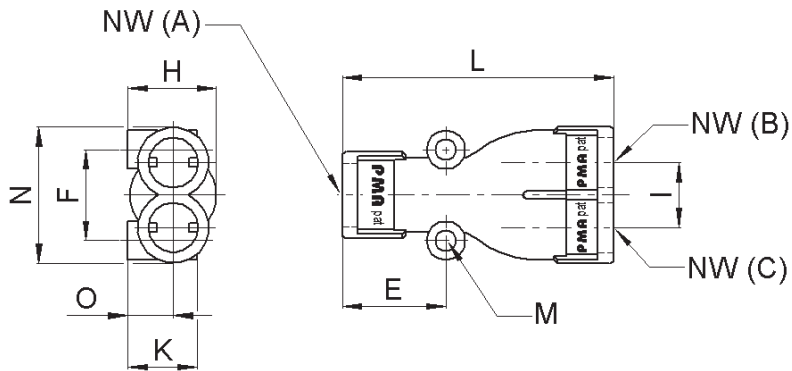
Environmental properties:

- Free from halogens and cadmium
- RoHS and REACH compliant

Product selection:

Part no.		Conduit size			Dimensions in mm (nom.)										Weight	Packing unit
black	grey	NW (A)	NW (B)	NW (C)	L	H	E	F	I	K	M	N	O	kg/100 pcs	pcs/PU	
BVYD-100707GT	SVYD-100707GT	10	07	07	63.0	21.0	24.0	21.0	15.0	16.0	2xM4	32.0	11.0	1.3	20	
BVYD-121010GT	SVYD-121010GT	12	10	10	69.0	24.0	27.0	24.0	19.0	18.0	2xM4	39.0	12.0	1.9	20	
BVYD-171212GT	SVYD-171212GT	17	12	12	80.0	30.0	34.0	32.0	22.0	22.0	2xM5	46.0	15.0	3.0	20	
BVYD-231717GT	SVYD-231717GT	23	17	17	98.0	38.0	38.0	42.0	30.0	29.0	2xM6	60.0	19.0	5.2	20	
BVYD-292323GT	SVYD-292323GT	29	23	23	109.0	45.0	37.0	48.0	37.0	33.0	2xM6	74.0	23.0	8.0	10	
BVYD-362929GT	SVYD-362929GT	36	29	29	130.0	54.0	50.0	58.0	43.0	36.0	2xM6	87.0	27.0	12.0	5	
BVYD-483636GT	SVYD-483636GT	48	36	36	144.0	68.0	50.0	70.0	50.0	48.0	2xM6	104.0	34.0	16.8	5	

Our customer service dept. or local distribution partner will be pleased to help you concerning product availability and lead time



Mechanical Properties:	Value:	Test parameters:	Test method:
Tensile modulus	1'200 ... 3'700 N/mm ²		ISO 527
Tensile strength	45 ... 65 N/mm ²		ISO 527
Notched bar impact test	4 ... 20 kJ/m ²		ISO 180/1C
Vibration and shock standard	Cat. 2		IEC 61373, IEC 60068-2-27 / -64

Thermal properties:	Value:	Test parameters:	Test method:
Continuous application temperature	-50 ... +105°C		PMA DO 9.21-4510
Upper application temperature	+120°C	(20'000 h)	PMA DO 9.21-4360
Short-term	+160°C	(168 h)	PMA DO 9.21-4360

Fire safety properties:	Value:	Test parameters:	Test method:
Fire performance	non flame-propagating		IEC EN 61386-1
Flame class	V0		UL 94

Fire hazard level	HL3		EN 45545-2 (R22)
Oxygen index	> 32 %		EN ISO 4589-2
Smoke density	< 150 Ds max.		EN ISO 5659-2 (25 kW/m ²)
Toxicity	< 0.75 CIT _{NLP}		NF X 70-100-1/-2: (600°C)

Fire hazard level	HL3		EN 45545-2 (R23)
Oxygen index	> 32 %		EN ISO 4589-2
Smoke density	< 300 Ds max.		EN ISO 5659-2 (25 kW/m ²)
Toxicity	< 1.5 CIT _{NLP}		NF X 70-100-1/-2: (600°C)

Fire performance NFPA 130:			NFPA 130
- Flammability	compliant		ASTM E 162
- Smoke density	compliant		ASTM E 662

Heat and visible smoke	26.00 MJ/kg		ASTM E 1354
Smoke emission toxicity	compliant		Bombardier SMP 800-C
Smoke emission toxicity	compliant		Boeing BSS 7241

Content of delivery:

- Y-junction with premounted conduit locking clip (AFN2)

Assembly instructions:

- Push-in conduit with a slight twist and pull back slightly to ensure the locking clip clicks into place

Please consider the appropriate assembly instructions on www.pma.ch

ABB Switzerland Ltd,
PMA Cable Protection
Aathalstrasse 90
8610 Uster, Switzerland
Phone: +41 58 585 00 11
pma-info@ch.abb.com
www.pma.ch

Let's write the future.
Together. **abb.com**

We reserve the right to make technical changes or modify the contents of this document without prior notice. With regard to purchase orders, the agreed particulars shall prevail. ABB Installation Products Inc. does not accept any responsibility whatsoever for potential errors or possible lack of information in this document.

We reserve all rights in this document and in the subject matter and illustrations contained therein. Any reproduction, disclosure to third parties or utilization of its contents – in whole or in parts – is forbidden without prior written consent of ABB Inc. Copyright© 2019 ABB Installation Products Inc. All rights reserved

