

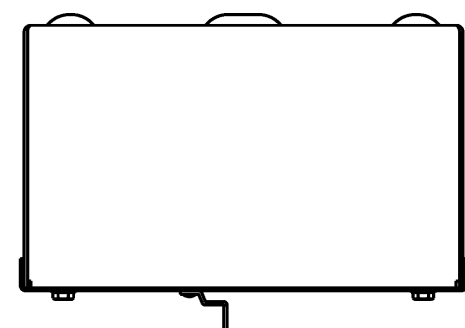
14

13

12

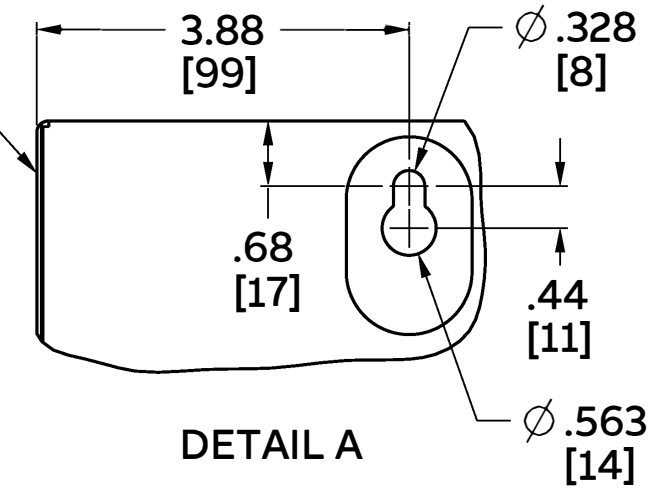
11

CIRCUIT BREAKER TERMINAL LUG DATA			
CIRCUIT BREAKER CAT NO. PREFIX	AMPERE RATING	LUG TYPE	WIRE SIZE (AWG\KCMIL)
SEDA,SEHA,SELA,SEPA	15-100	TCAL18	(1) #12-3/0 CU-AL

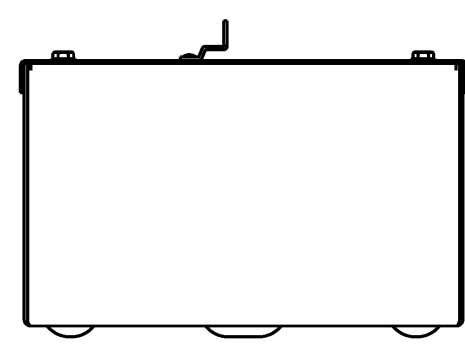
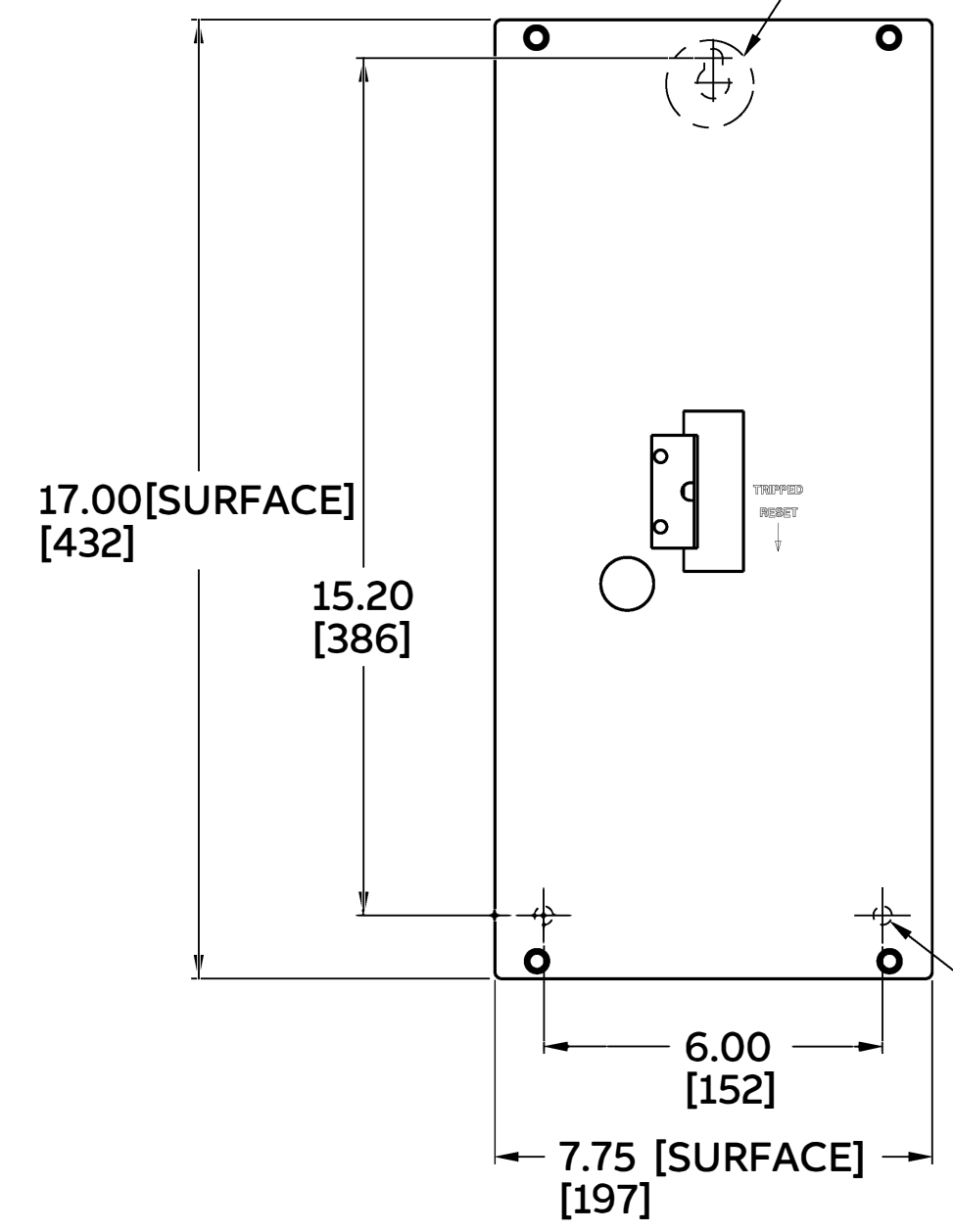
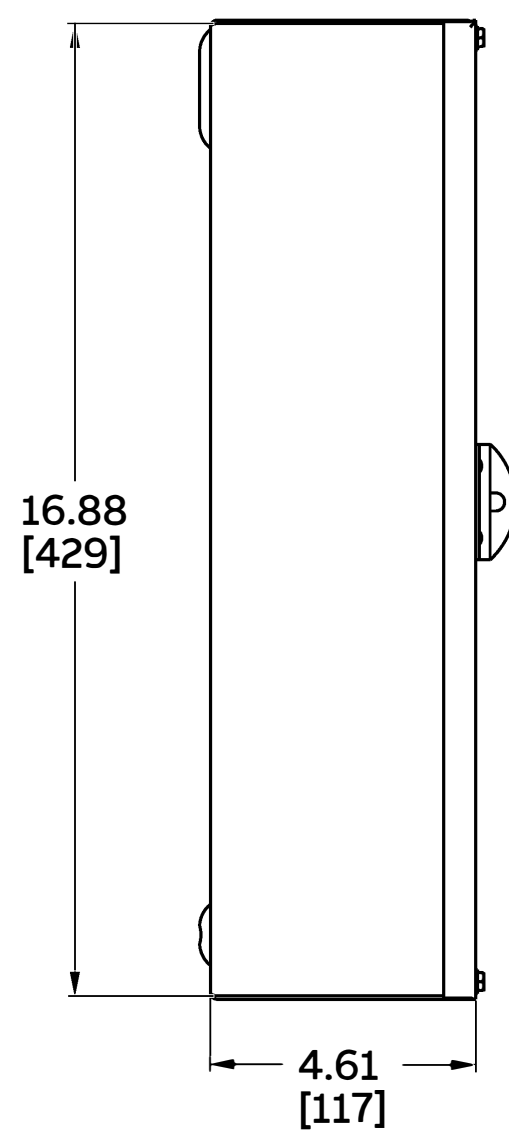


OUTSIDE EDGE OF THE BOX

SEE DETAIL A



FIELD INSTALLABLE NEUTRAL ASSEMBLY AND GROUND KIT			
CAT NO. PREFIX	TYPE	AMPERE RATING	WIRE SIZE (AWG\KCMIL)
TGL1	GND KIT	70-125	(4) #14-8 CU (4) #12-8 AL (3) #14-4 CU (3) #6-4 AL
INCLUDED	NEUTRAL ASM	100	(1) #14-1/0 CU (1) #12-1/0 AL



FOR USE WITH ABB TYPE BREAKER SEDA, SEHA, SELA & SEPA

- NOTES:
1. MATERIAL: LOW CARBON STEEL
 2. FINISH: ELECTROCOAT ENAMEL, GRAY
 3. AGENCY APPROVAL: cULus LISTED -FILE E11592
 4. SUITABLE FOR USE AS SERVICE EQUIPMENT WHEN NEUTRAL ASSEMBLY IS INSTALLED
 5. THE SHORT CIRCUIT RATING OF THIS ENCLOSED CIRCUIT BREAKER IS EQUAL TO THE INTERRUPTING RATING, AT THE SUPPLY VOLTAGE MARKED ON THE CIRCUIT BREAKER
 6. CONSULT BUYLOG FOR ALTERNATIVE LUGS

DUAL DIMENSIONS INCHES [MILLIMETERS]

ABB

OUTLINE DRAWING - NEMA TYPE 1 ENCLOSURE
TE100SB

THIRD ANGLE	SHEET#	DWG NO.	DATE	REV
	1 of 1	208C2891SH6	17-Apr-23	B

14

13

12

11