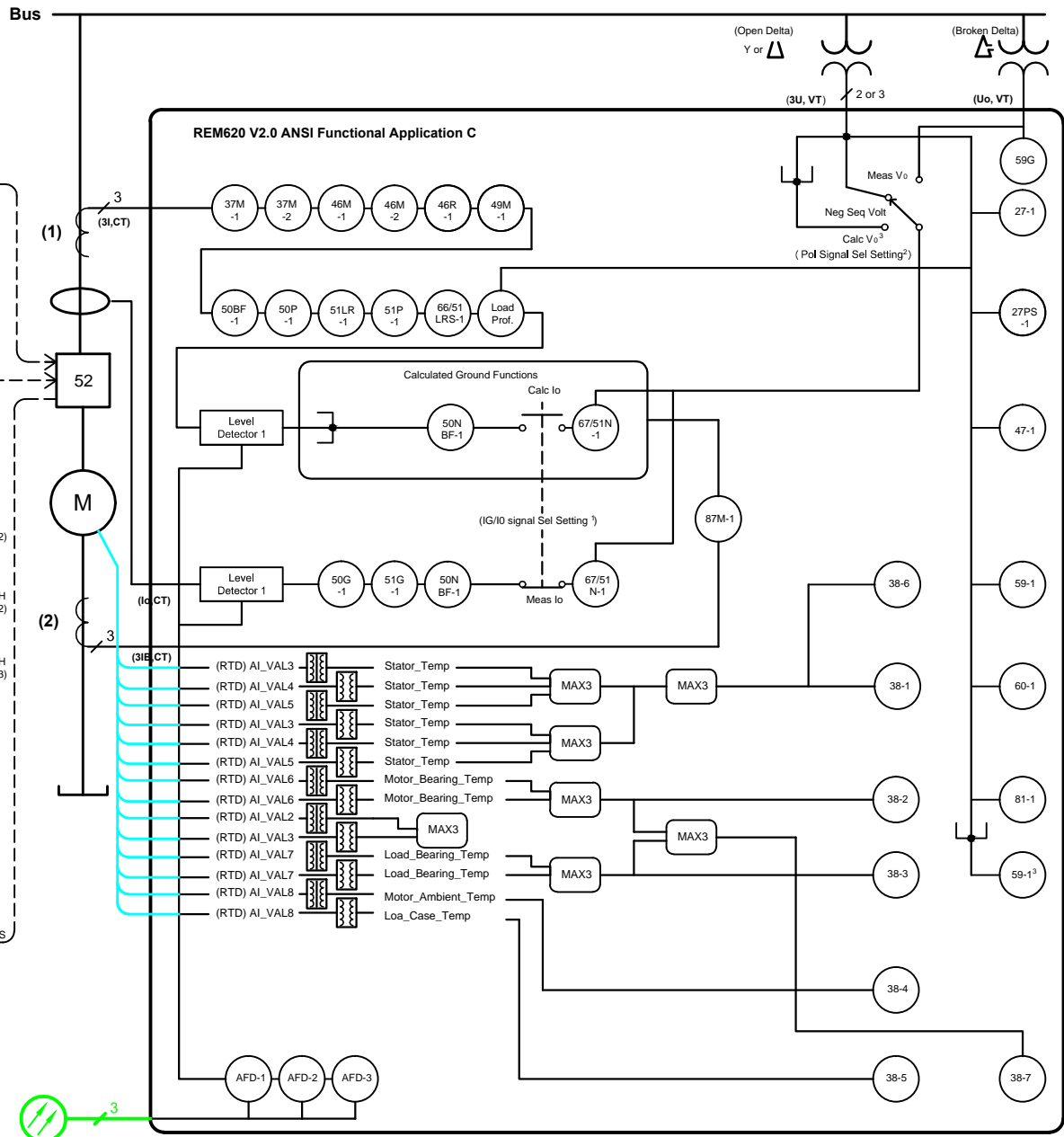
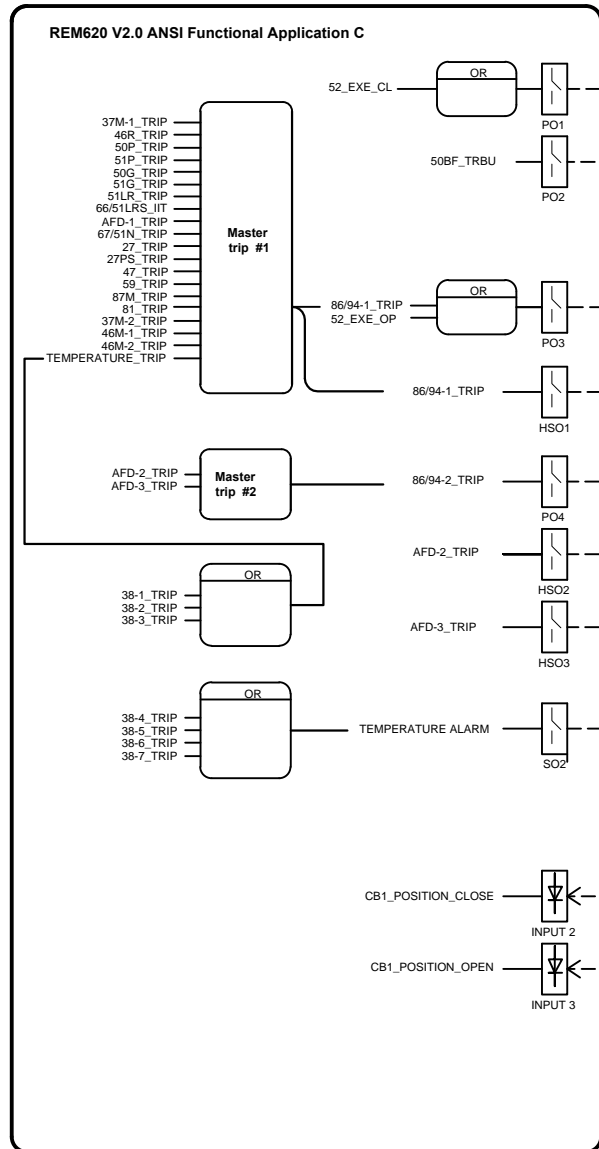
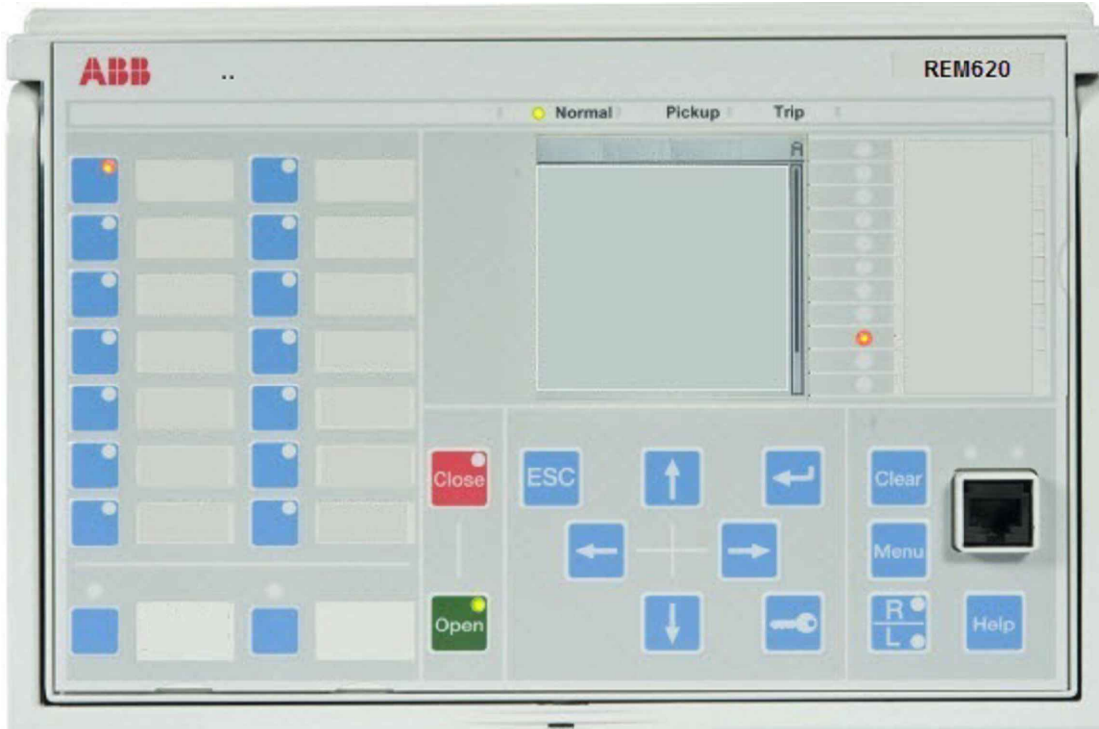


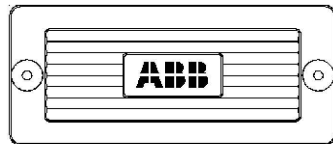
REM620\_NAMCCAC1FFxxxNx1xx



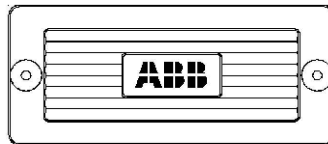
REM620\_NAMCCAC1FFxxxNxN1xx



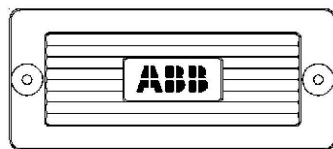
**FT-1/TS1**  
Style No: 837A407G01  
Code No: 083



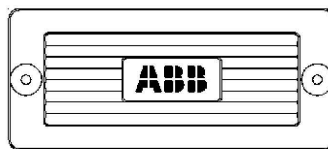
**FT-1/TS2**  
Style No: 129A501G01  
Code No: 001



**FT-1/TS3**  
Style No: 774B430G20  
Code No: 171



**FT-1/TS4**  
Style No: 129A501G01  
Code No: 001

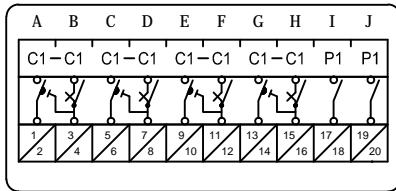


**General Notes:**

1. Style and code numbers for FT-1 switches provide black covers and handles, screw terminals and standard depth. Poles selection follows arrangement shown in this drawing set. For custom designs, different selection options can be made by using FT-1 configurator at [ft1switch.com](http://ft1switch.com)
2. Refer to 615 series ANSI Installation Manual for relay and cutout dimensions ( Document ID: 1MACCO51065-MB, Revision: D, Product version 4.0)

REM620\_NAMCCAC1FFxxxNx1xx

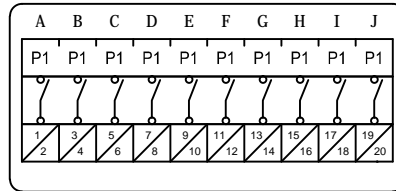
PHASE CURRENT ■ IA (1)  
 PHASE CURRENT ■ IB (1)  
 PHASE CURRENT ■ IC (1)  
 GROUND CURRENT ■ IG  
 RELAY POS. VDC  
 RELAY NEG. VDC



FT-1/TS1

(CT (1) CURRENTS AND POWER SUPPLY)

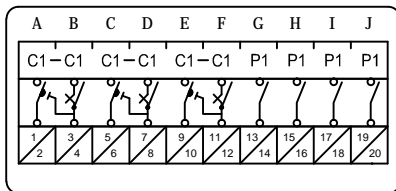
PHASE VOLTAGE ■ VA  
 PHASE VOLTAGE ■ VB  
 PHASE VOLTAGE ■ VC  
 GROUND VOLTAGE ■ VG



FT-1/TS2

( POTENTIALS)

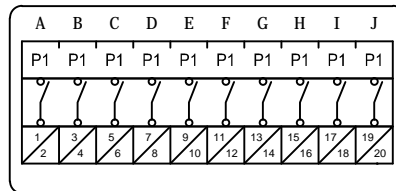
PHASE CURRENT ■ IA (2)  
 PHASE CURRENT ■ IB (2)  
 PHASE CURRENT ■ IC (2)



FT-1/TS3

(CT (2) CURRENTS)

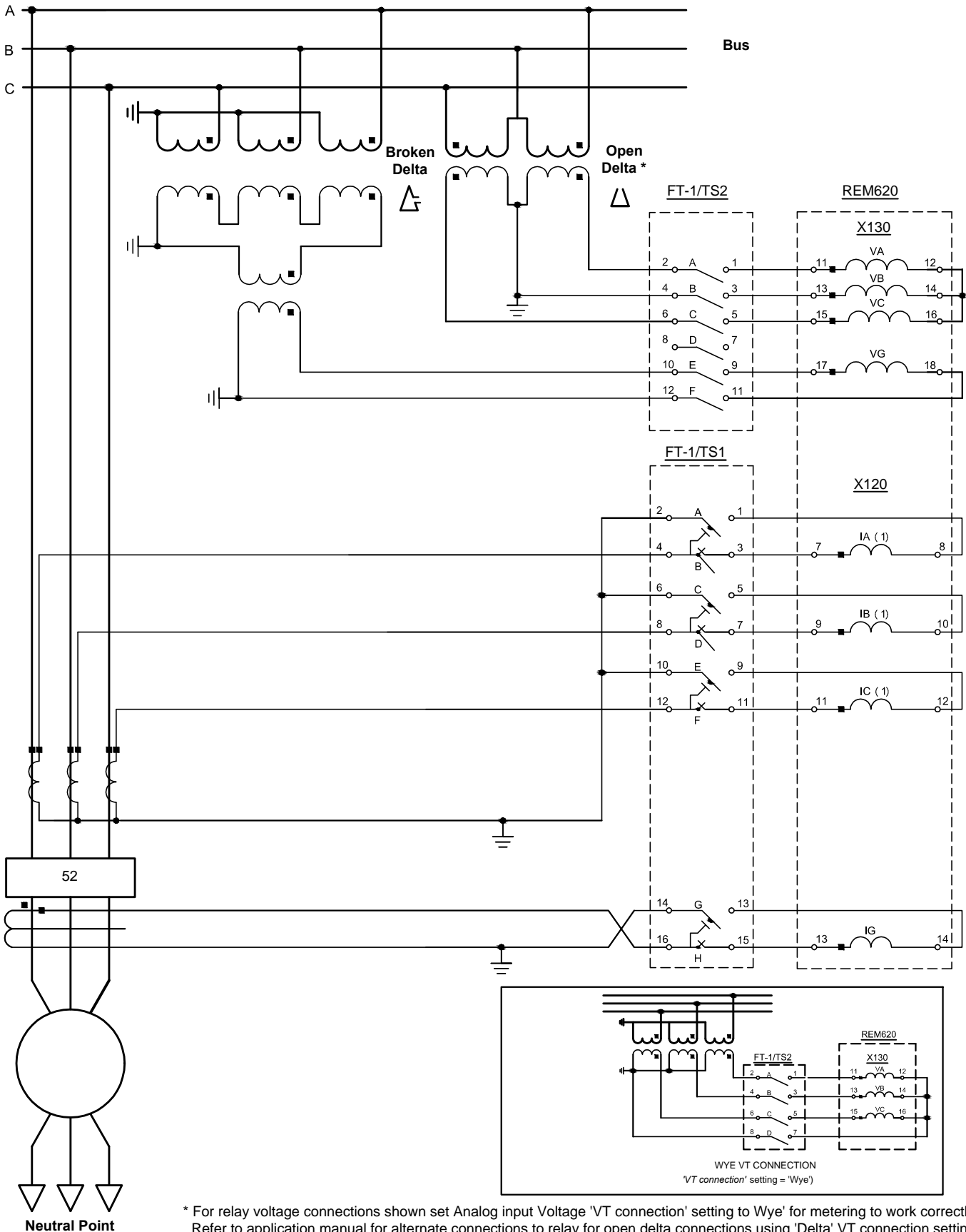
52\_EXE\_CL\_ ( PO1)  
 50BF\_TRBU ( PO2)  
 86/94-1\_TRIP/52\_EXE\_OP ( PO3)  
 86/94-2\_TRIP ( PO4)  
 TEMPERATURE\_ALARM ( SO2)  
 86/94-1\_TRIP ( HSO1)  
 AFD-2\_TRIP ( HSO2)  
 AFD-3\_TRIP ( HSO3)  
 CB\_POSITION\_CLOSE ( IN2)  
 CB\_POSITION\_OPEN ( IN3)



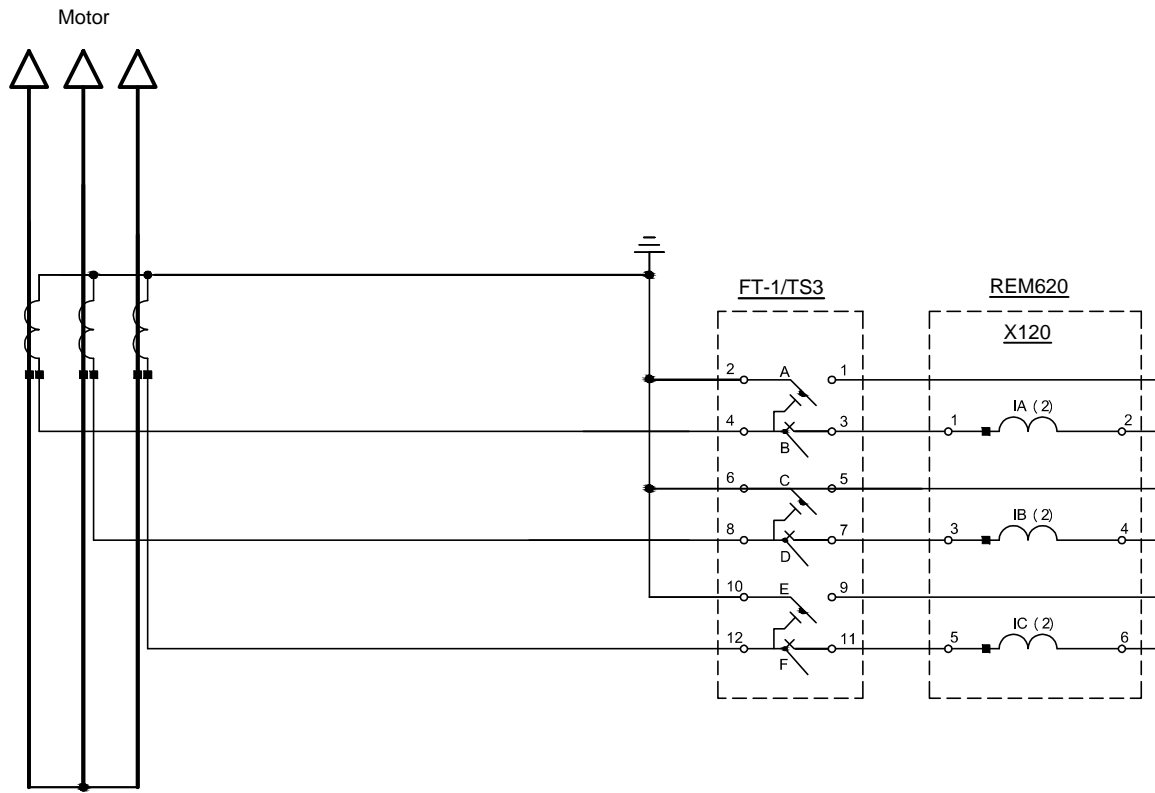
FT-1/TS4

( BINARY I/O AND HIGH SPEED OUTPUTS)

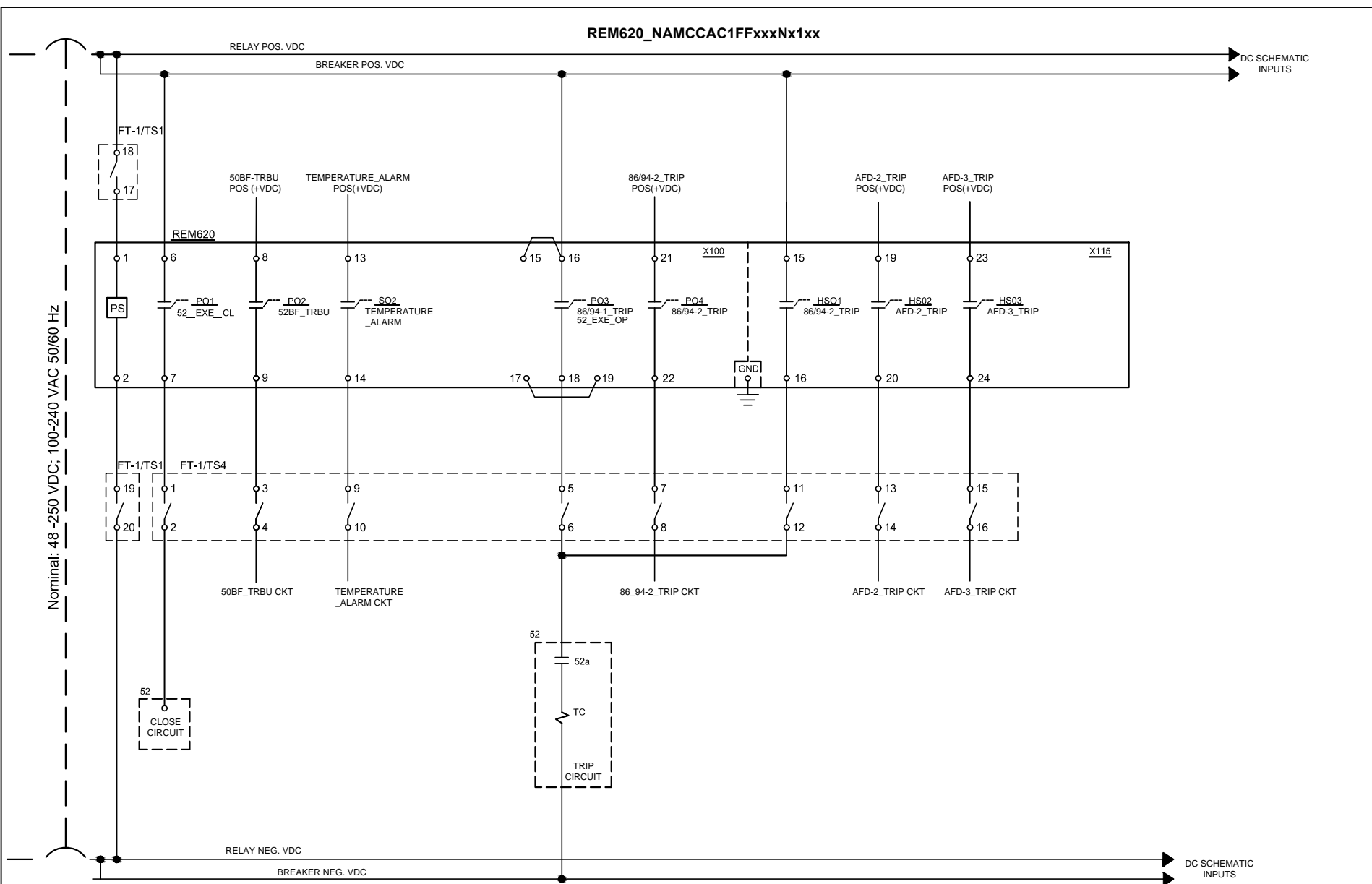
REM620\_NAMCCAC1FFxxxNx1xx



\* For relay voltage connections shown set Analog input Voltage 'VT connection' setting to 'Wye' for metering to work correctly. Refer to application manual for alternate connections to relay for open delta connections using 'Delta' VT connection setting.



REM620\_NAMCCAC1FFxxxNx1xx

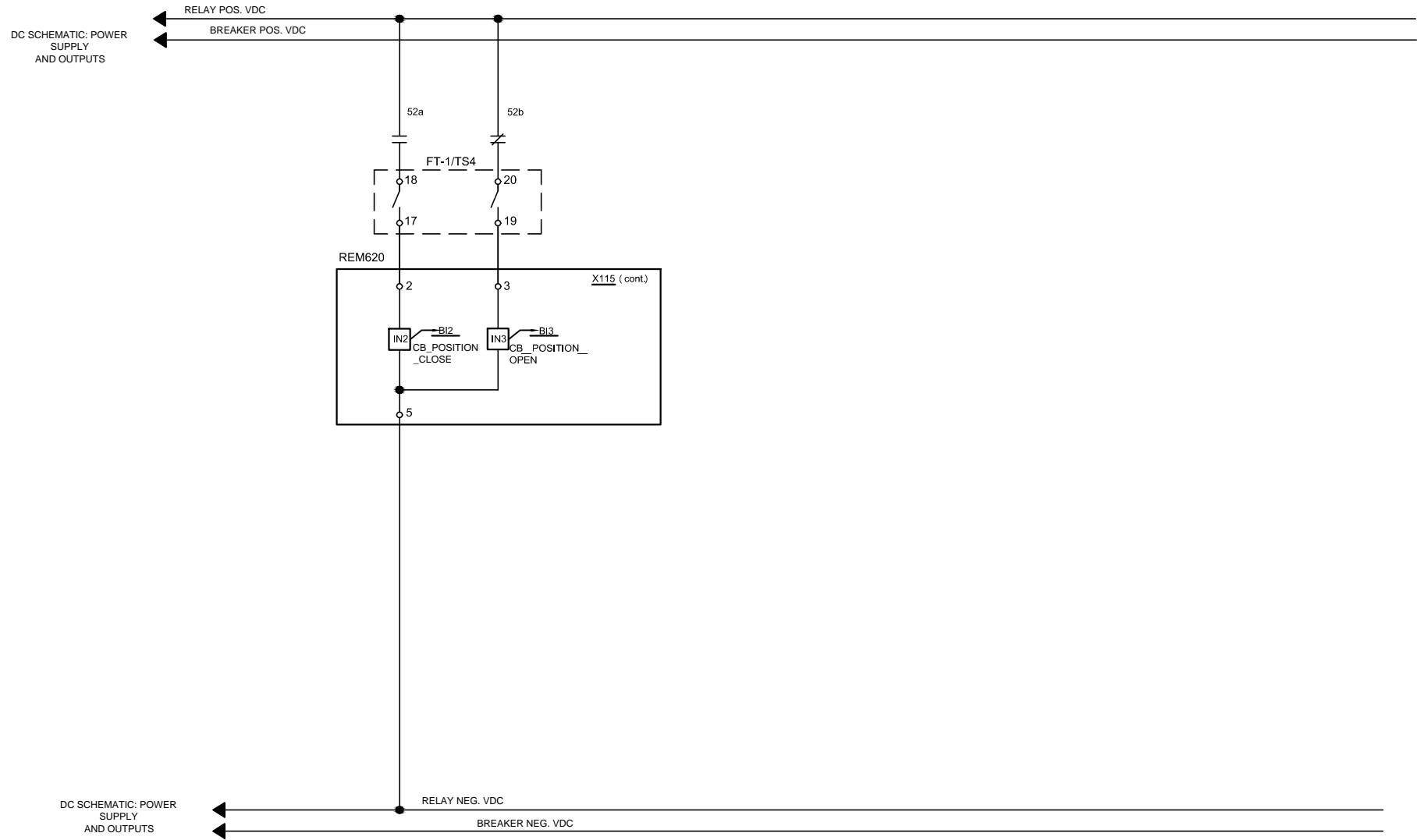


**General Notes:**

1. Binary I/O shown is from default PCM600 Application Configuration Tool (ACT) .  
Connections shown are typical though more connections may be needed for specific application.

2. Connections are for Trip Circuit Supervision without an external resistor. For this application the Trip Circuit Monitoring function is blocked when the circuit breaker is open.  
Refer to technical manual for connections with an external resistor to monitor trip coil when breaker is open or closed.

REM620\_NAMCCAC1FFxxxNx1xx



TITLE: DC SCHEMATIC - INPUTS (TYPICAL)

RELAY ORDER CODE: NAMCCAC1FFxxxNx1xx

SOFTWARE TYPE:  
AUTOCAD 2014

© Copyright 2015 ABB  
All rights reserved

SIZE DWG. NO.  
A

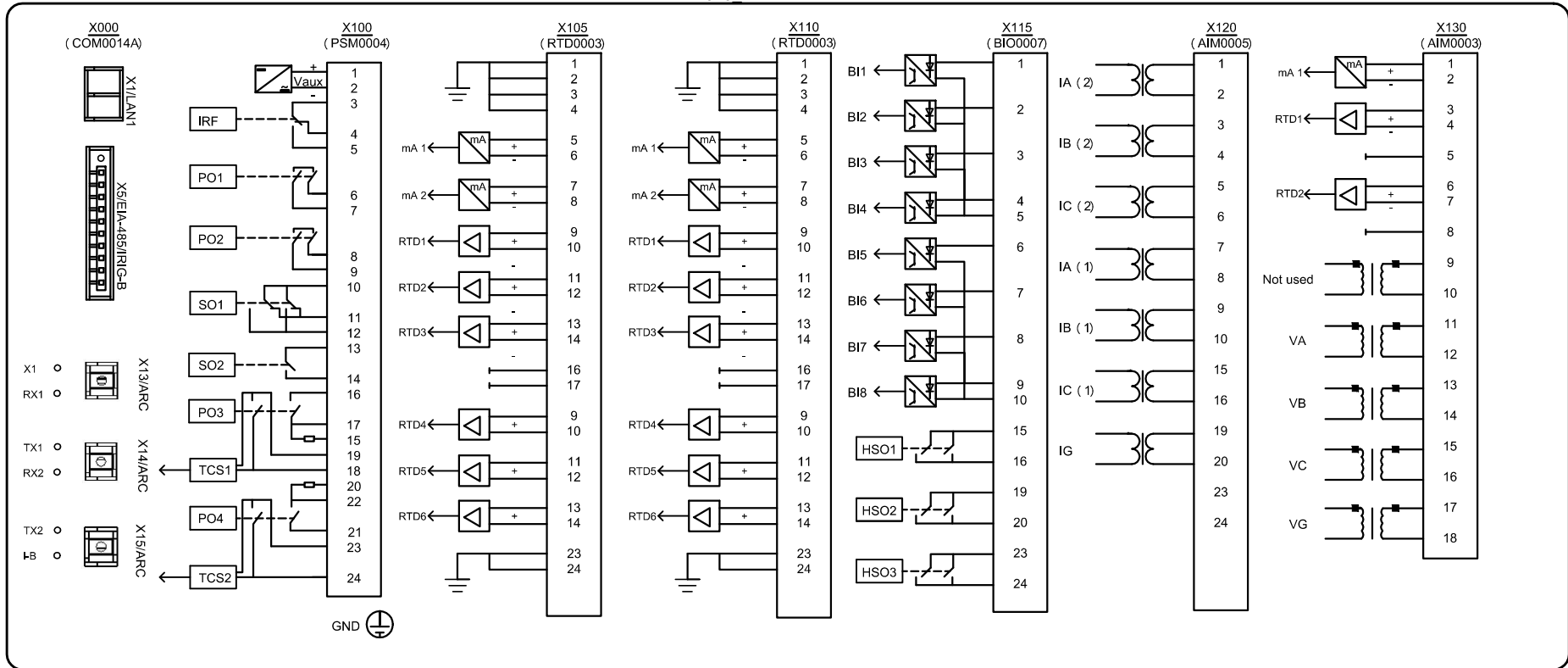
1MAC605824-DR

REV.  
B



SHEET 7 OF 9

REM620 NAMCCAC1FFxxNx1xx



RR  
REM620

X000-X1:  
X000-X5:  
X000-X13:  
X000-X14:  
X000-X15:

X100-1: TT17  
X100-2: TT19  
X100-3:  
X100-4:  
X100-5:  
X100-6:  
X100-7: UU1  
X100-8:  
X100-9: UU3  
X100-10:  
X100-11:  
X100-12:  
X100-13:  
X100-14: UU9  
X100-15: X100-16  
X100-16: X100-15  
X100-17: X100-19  
X100-18: UU5  
X100-19: X100-17  
X100-20:  
X100-21:  
X100-22: UU7  
X100-23:  
X100-24:

X105-1:  
X105-2:  
X105-3:  
X105-4:  
X105-5:  
X105-6:  
X105-7:  
X105-8:  
X105-9:  
X105-10:  
X105-11:  
X105-12:  
X105-13:  
X105-14:  
X105-15:  
X105-16:  
X105-17:  
X105-18:  
X105-19:  
X105-20:  
X105-21:  
X105-22:  
X105-23:  
X105-24:

X110-1:  
X110-2:  
X110-3:  
X110-4:  
X110-5:  
X110-6:  
X110-7:  
X110-8:  
X110-9:  
X110-10:  
X110-11:  
X110-12:  
X110-13:  
X110-14:  
X110-15:  
X110-16:  
X110-17:  
X110-18:  
X110-19:  
X110-20:  
X110-21:  
X110-22:  
X110-23:  
X110-24:

X115-1:  
X115-2: UU17  
X115-3: UU19  
X115-4:  
X115-5:  
X115-6:  
X115-7:  
X115-8:  
X115-9:  
X115-10:  
X115-11:  
X115-12:  
X115-13:  
X115-14:  
X115-15:  
X115-16: UU11  
X115-17:  
X115-18:  
X115-19:  
X115-20: UU13  
X115-21:  
X115-22:  
X115-23:  
X115-24: UU15

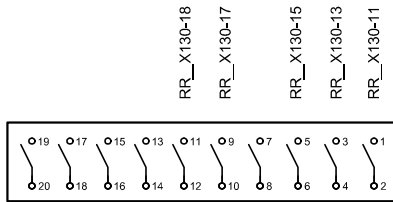
X120-1: VV3  
X120-2: VV1  
X120-3: VV7  
X120-4: VV5  
X120-5: VV11  
X120-6: VV9  
X120-7: TT3  
X120-8: TT1  
X120-9: TT7  
X120-10: TT5  
X120-11: TT11  
X120-12: TT9  
X120-13: TT15  
X120-14: TT13

X130-1:  
X130-2:  
X130-3:  
X130-4:  
X130-5:  
X130-6:  
X130-7:  
X130-8:  
X130-9:  
X130-10:  
X130-11: SS1  
X130-12: X130-14  
X130-13: SS3  
X130-14: X130-12, X130-16  
X130-15: SS5  
X130-16: X130-14  
X130-17: SS9  
X130-18: SS11

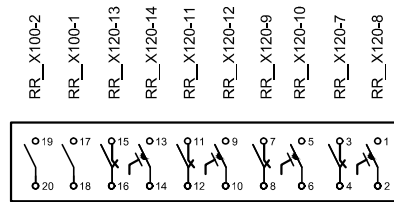
GND:



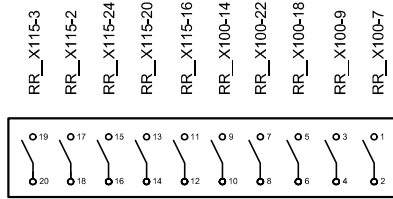
REM620\_NAMCCAC1FFxxxNx1xx



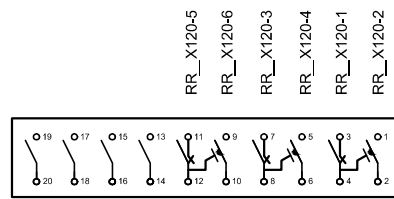
SS  
FT-1/TS2



TT  
FT-1/TS1



UU  
FT-1/TS4



WV  
FT-1/TS3