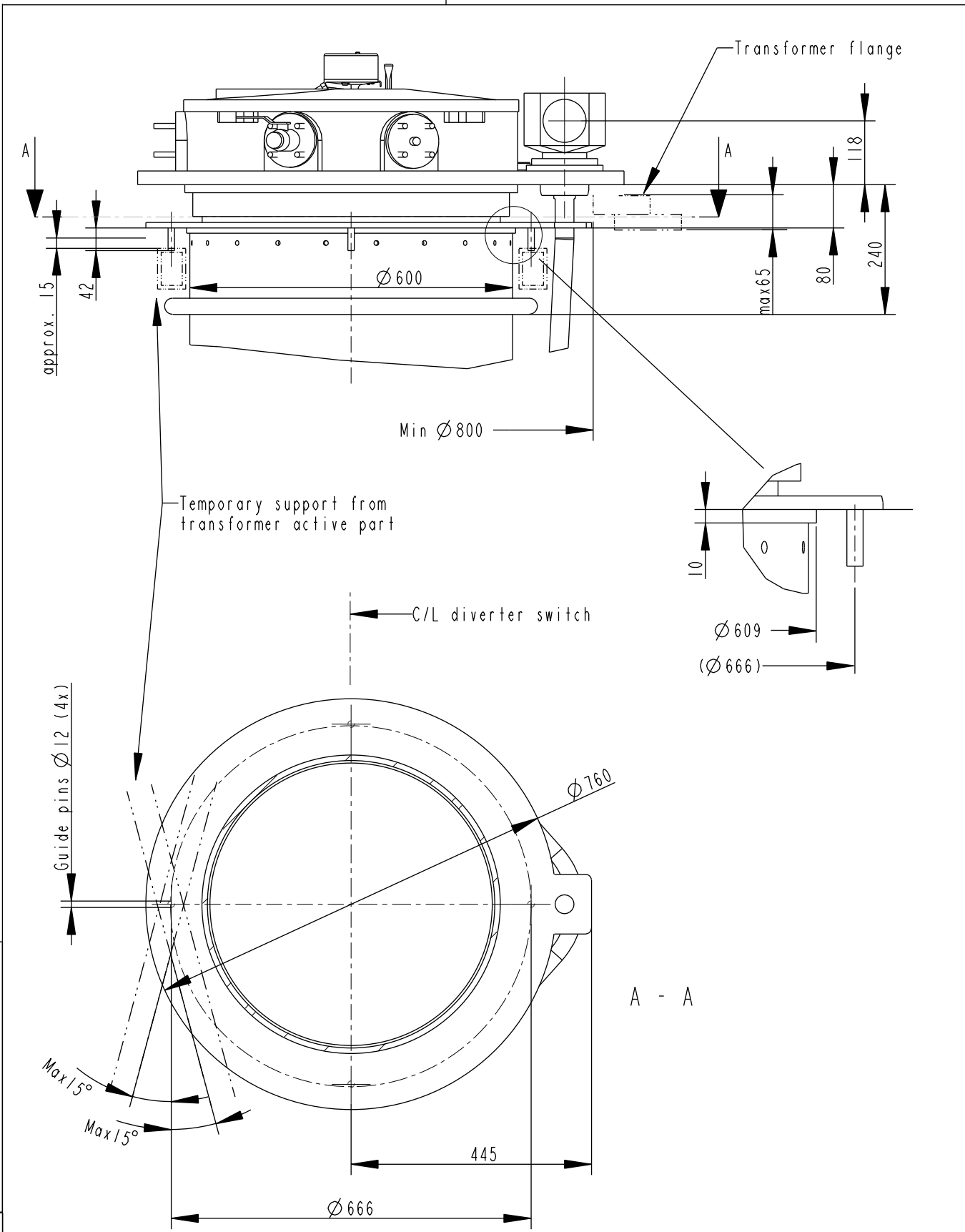


We reserve all rights in this document and in the information contained therein. Reproduction, use or disclosure to third parties without express authority is strictly forbidden.  
©ABB

Production engineering review

Design engineering review



Based on	Reg. No.	Title	
Prepared B Hultgren 96-05-04	Responsible department COM/TK	MOUNTING ON ACTIVE PART TAP-CHANGER UCL	Language en
Approved M Eriksson	Take over department		
Revision Rev I 2007-05-24	Database DIMENSION_DWGS		Page 1(1)
<b>ABB Components</b>		Document No.	54920086-1

Inspection engineering review