

DATA SHEET

Control Panel CP600-eCo

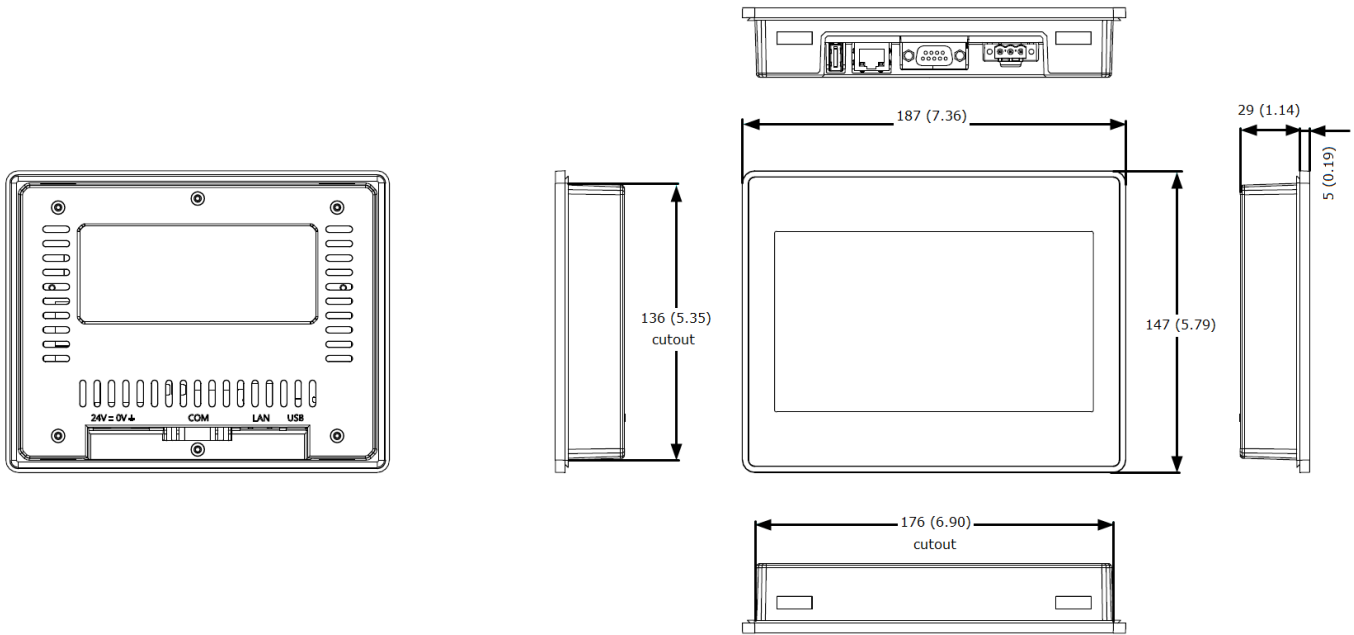
CP607, CP607-B




1 Ordering Data

Part No.	Description	Product Life Cycle Phase
1SAP507100R0001	CP607, control panel, TFT graphical display, single-touch screen, 7", 800 x 480 pixel, for PB610 applications and visualization of AC500 V3 web server	Active
1SAP507100R2001	CP607-B, control panel, TFT graphical display, single-touch screen, 7", 800 x 480 pixel, for PB610 applications and visualization of AC500 V3 web server, black	Active

2 Dimensions



 The dimensions are given in mm and in brackets in inch.

3 Technical Data

3.1 Product Data

Parameter		Value
Display		
	Size diameter	7"
	Resolution	800 x 480 pixels
	Dimensions (L x H)	155,50 mm x 88 mm
	Type	TFT-LCD
	Number of colors	65536
	Brightness	200 cd/m ²
Backlight		
	Type	LED
	Lifetime, typical	20 000 h at 25 °C
Touch screen		
	Type	Single-touch, resistive touch screen, 4 wires
	Material	glass, covered by plastic film
	Design	
	CP607	ABB design passepartout
	CP607-B	Black passepartout
System resources		

	Processor type	ARM Cortex-A8, 300 MHz
	Operating system	Linux RT
	Application memory	For HMI projects of up to 60 MB
	RAM	256 MB
	Flash	2 GB
	Card slot	none
	Data backup	Supercapacitor
	Battery type	none
	Data buffering time at 25 °C	Ca. 72 h at 25 °C
	Real-time clock:	
	Accuracy	< 100 ppm at 25 °C
	With battery back-up	Yes (supercapacitor)

3.2 Interfaces

Parameter	Value
Network interfaces	
Ethernet port 0	10/100 Mbit
Serial interfaces	
COM1	RS-232/-485/-422 software configurable
COM1 connection	D-sub
USB interfaces	
USB port 1	Host interface V2.0, max. 500 mA

3.3 Power Supply

Parameter	Value
Supply voltage 24 V DC	
Voltage	24 V DC (18...32 V DC)
Protection against reverse polarity	yes
Connection at the control panel	Removable 3-pin terminal block with screw connection
Current consumption from 24 V DC	0.3 A

4 System Data CP600-eCo

4.1 Environmental Conditions

Parameter		Value	
Allowed interruptions of power supply			
Voltage dips, short interruptions and voltage variations immunity test			
	Port: AC mains; Phase: 0°...180°; Test executed on the 230 VAC side of the power supply, Level:		EN 61000-4-11
	40 % duration:	10 cycles (50 Hz);	
	70 % duration:	25 cycles (50 Hz);	
	100 % duration:	1 cycle and 250 cycles (50 Hz)	
Temperature			
	Operating	0...50 °C	
	Storage	-20...+70 °C	
	Transport	-20...+70 °C	
Humidity		5...85 % relative humidity, without condensation	
Air pressure		> 800 hPa / < 2000 m	
Ingress protection			
	Front	IP66	
	Rear	IP20	
Mechanical resistance			
	Vibration	5 ... 9 Hz, 7 mm; 9 ... 150 Hz, 1 g ^{p-p}	EN 60068-2-6
	Shock	± 50 g, 11 ms, 3 pulses per axis	EN 60068-2-27

4.2 Electromagnetic Compatibility

Parameter		Value	
	Radiated disturbance test	Class A	EN 55011
	Electrostatic discharge immunity test	8 kV (air electrostatic discharge) 4 kV (contact electrostatic discharge)	EN 61000-4-2
	Radiated, radio-frequency, electromagnetic field immunity test	80 MHz ... 1 GHz, 10 V/m 1.4 GHz ... 2 GHz, 3 V/m 2 GHz ... 2.7 GHz, 1 V/m	EN 61000-4-3
	Burst immunity test	±2 kV DC power port ±1 kV signal line	EN 61000-4-4
	Surge immunity test	±0,5 kV DC power port (line to earth) ±0,5 kV DC power port (line to line) ±1 kV signal line (line to earth)	EN 61000-4-5
	Immunity to conducted disturbances inducted by radiofrequency field	0.15...80 MHz, 10 V	EN 61000-4-6

5 Mechanical Data

Parameter		Value
Housing		
	Front frame material	Plastic
	Front frame color	
	CP607	grey
	CP607-B	black
	Reverse side material	Plastic
	Reverse side color	
	CP607	grey
	CP607-B	black
	Faceplate dimensions (L x H)	187 mm x 147 mm
	Faceplate depth	5 mm
	Housing depth	29 mm
	Weight	0.6 kg
Mounting		
	Cutout dimensions (L x H)	176 mm x 136 mm
	Mounting type	Panel mounting in cutout
	Mounting variants	Landscape and portrait mode
Minimum Compass Safe Distances		
	of standard compass	500 mm (19.68")
	of steering compass	400 mm (15.74")

5.1 Approvals and Certifications

Information on approvals and certificates can be found in the corresponding chapter of the Main catalog, PLC Automation

ABB Automation Products GmbH
Eppelheimer Str. 82
69123 Heidelberg, Germany
Telephone: +49 (0)6221 701 1444
Fax: +49 (0)6221 701 1382
E-mail: plc.support@de.abb.com
abb.com/plc

© Copyright 2018 ABB.

We reserve all rights in this document and in the information contained therein. Reproduction, use or disclosure to third parties without express authority is strictly forbidden.