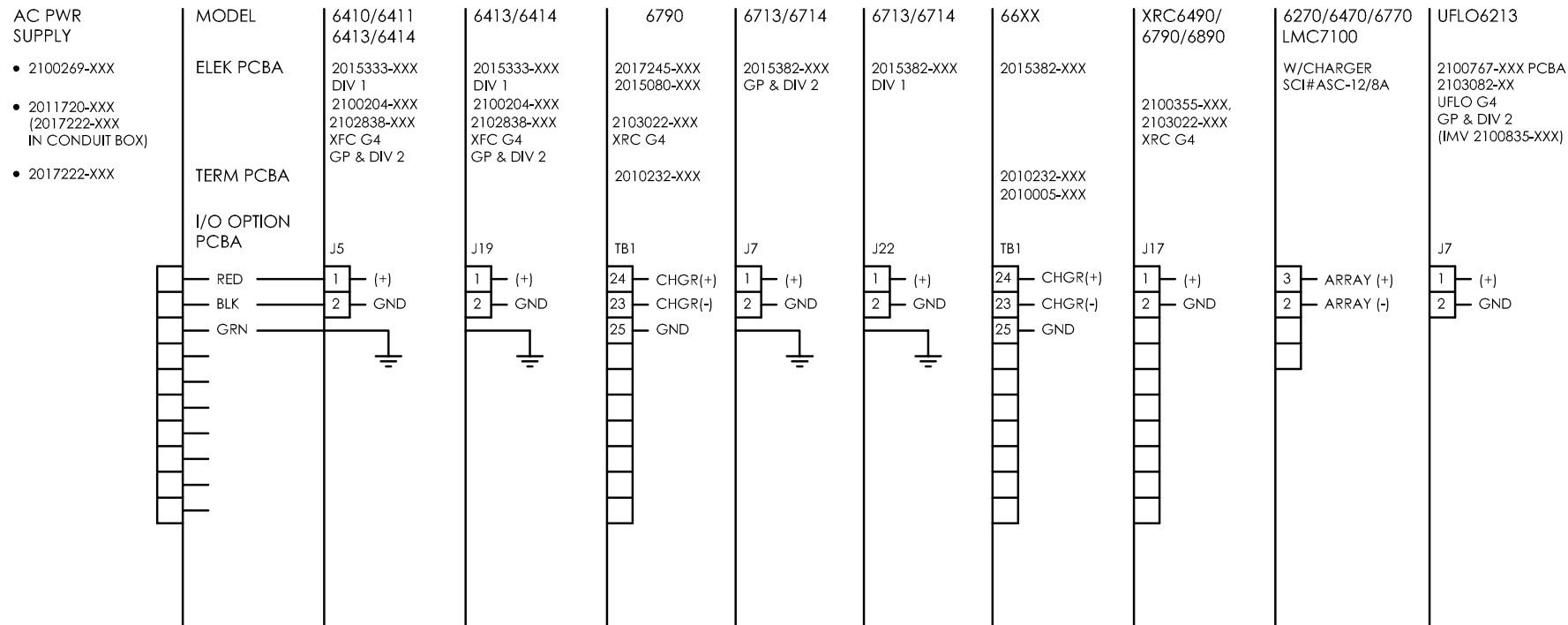


REVISIONS					
REV	ACTION	DRAWN	CHECKED	APPROVED	DATE
AJ	D20722	KASTNER	KASTNER	BUSHNELL	07/09/04
AH	D16185	KASTNER	KASTNER	BUSHNELL	04/08/23
AI	D19246	ROBERTSON	ROBERTSON	BUSHNELL	06/07/28



ASSEMBLY/QUANTITY	ITEM NO.	PART NUMBER	DESCRIPTION	REF/ZONE DESIG MATERIAL	UNIT MEAS
	001				
DO NOT SCALE DRAWING		UNLESS OTHERWISE SPECIFIED DIMENSIONS ARE IN INCHES		TOTALFLOW	
THIRD ANGLE PROJECTION		TOLERANCES ARE: DECIMAL .XX ± - ANGULAR ± -		LEVEL 3	
BREAK ALL SHARP CORNERS AND EDGES DIMENSIONS APPLY BEFORE FINISH		DESIGNER G. HOLLAND DATE 01/11		TITLE WIRING & INTERCONNECT	
		DRAWN A. KASTNER DATE 01/11/15		POWER SUPPLY, AC, 120V / 230V IN / 12V OUT	
		CHECKED A. KASTNER DATE 01/11/15		WI	
		APPROVED G. HOLLAND DATE 01/11/15		SCALE NONE SIZE B	
				DRAWING NO. 2100555	
				REV AJ SHEET 1 OF 2	

- AC PWR
SUPPLY
- 2100269-XXX
 - 2011720-XXX
(2017222-XXX
IN CONDUIT BOX)
 - 2017222-XXX

