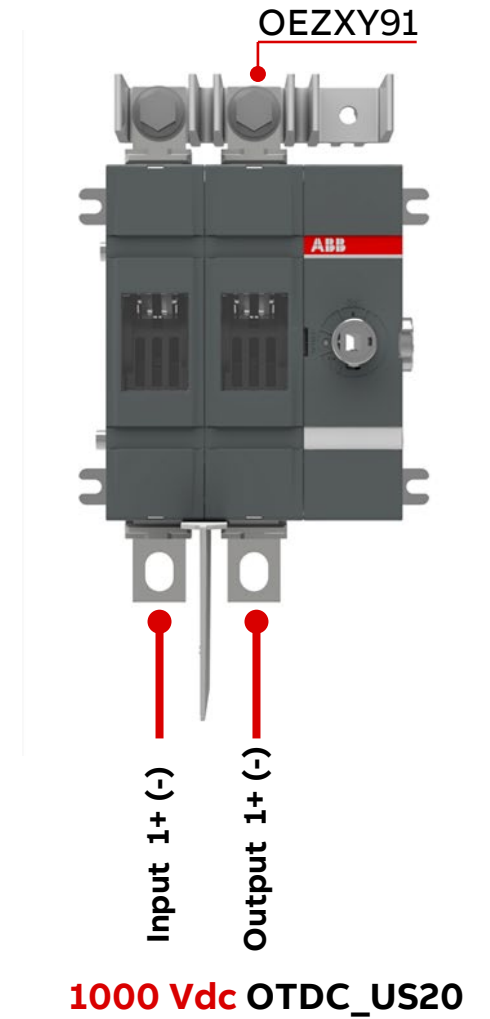
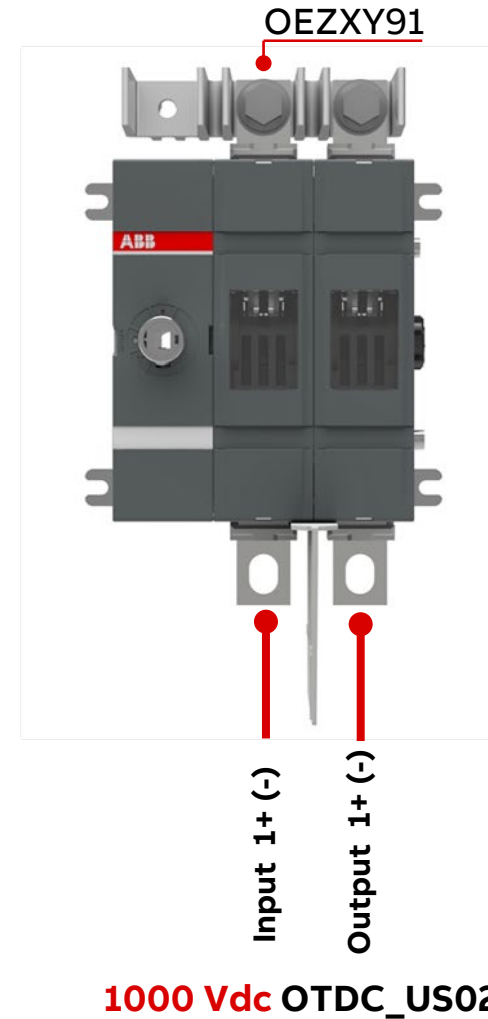
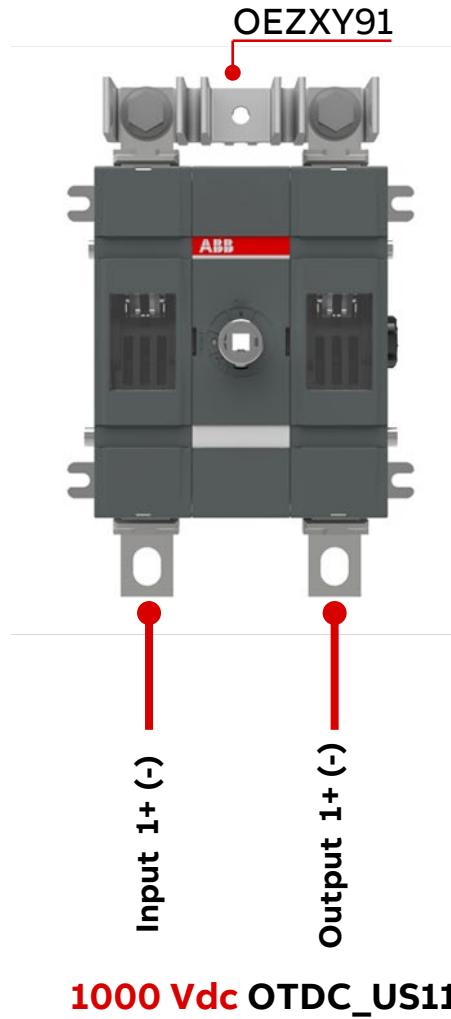
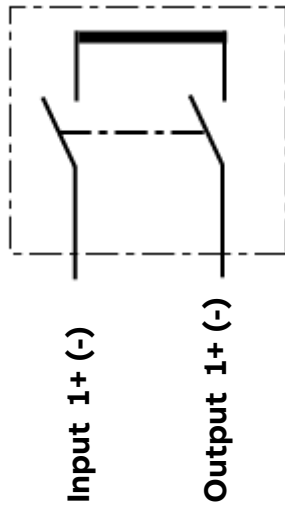


OTDC Switch-disconnector

OTDC100...245US_

Circuit 1a – Single Circuit



NOTE! Phase barriers are included in types OTDC_02/20 - installation mandatory.

