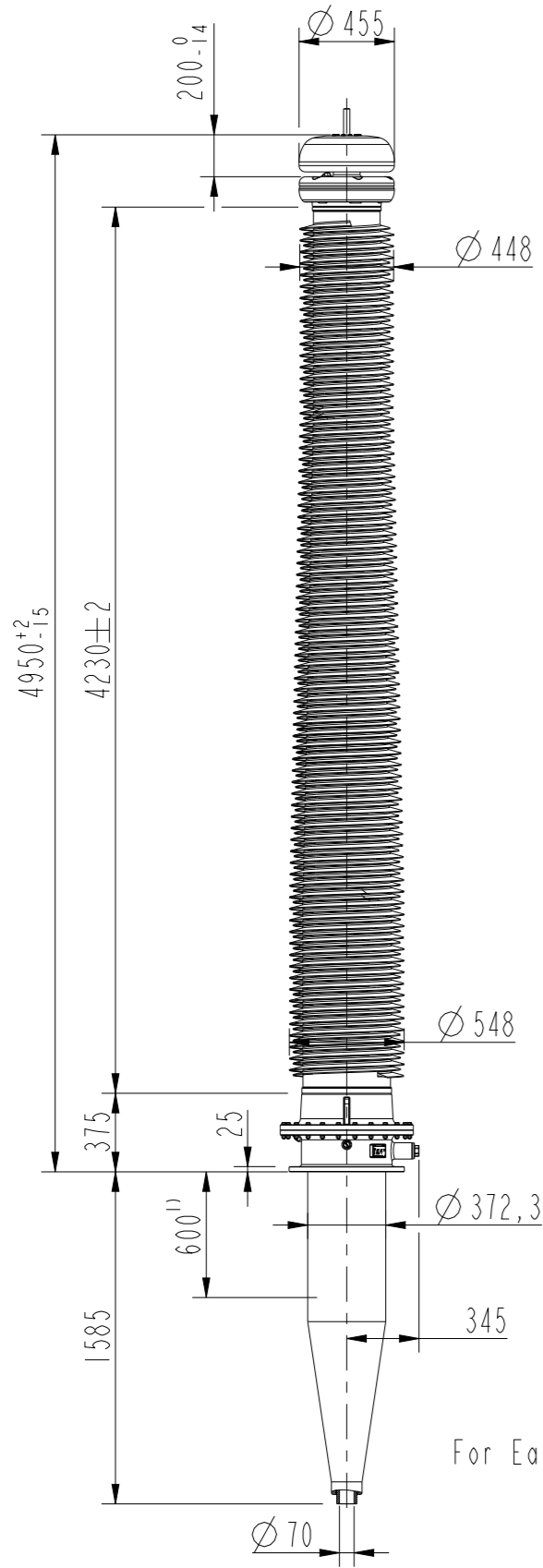


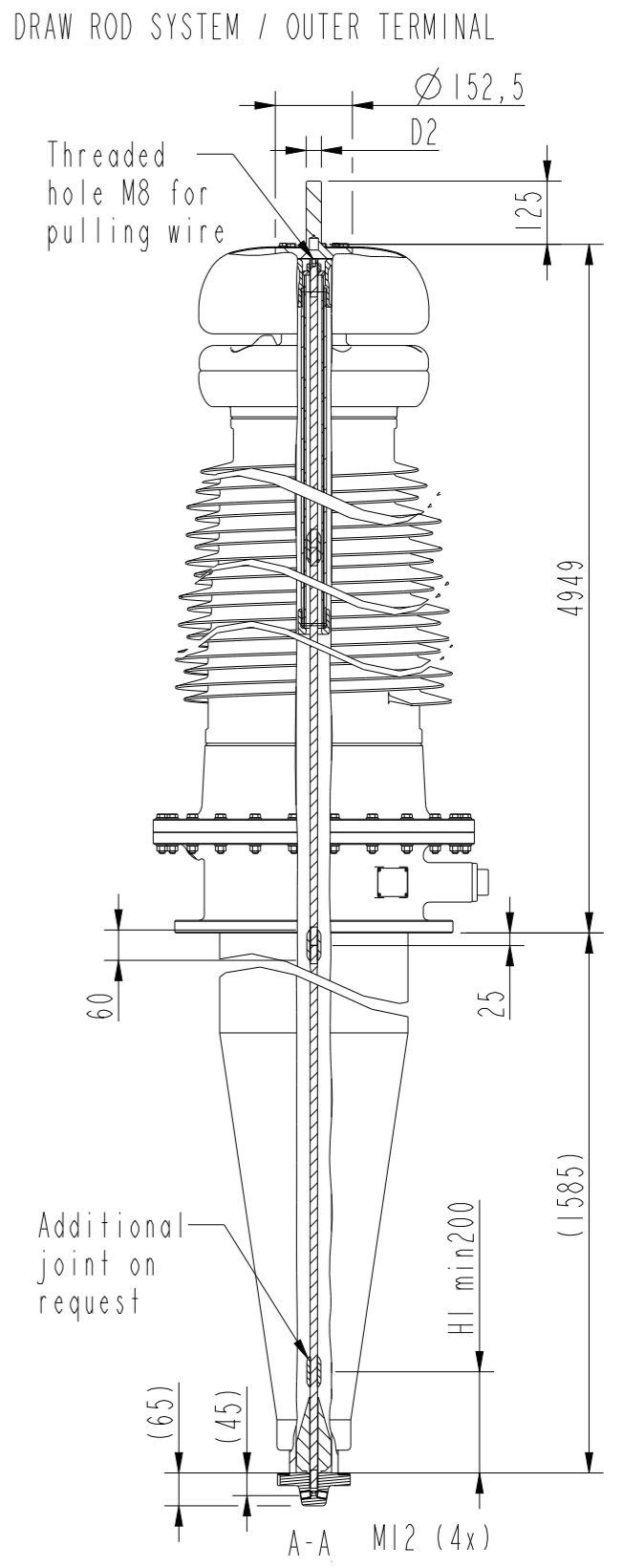
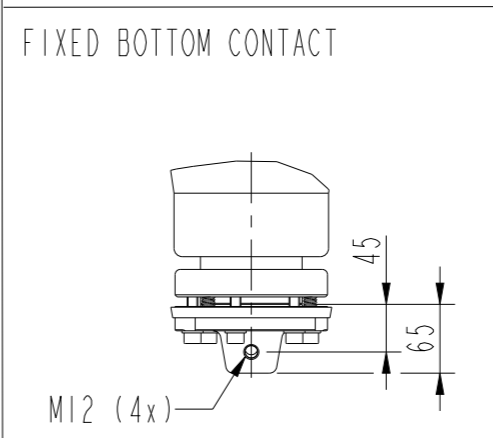
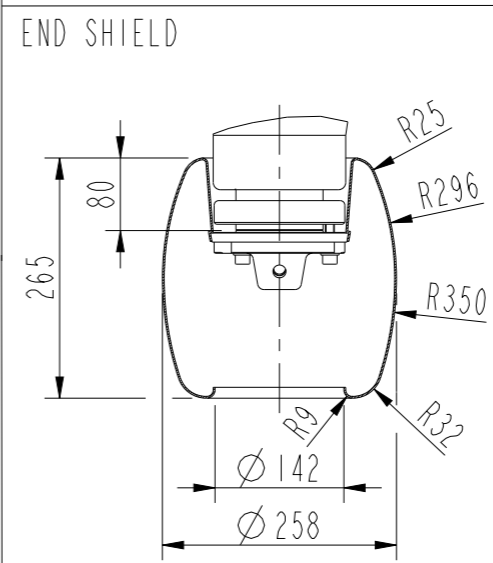
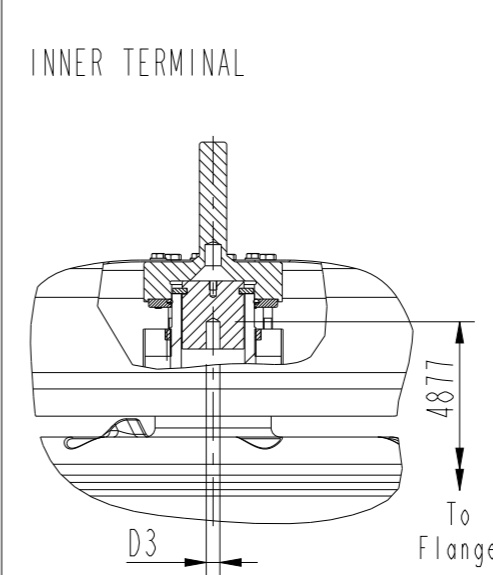
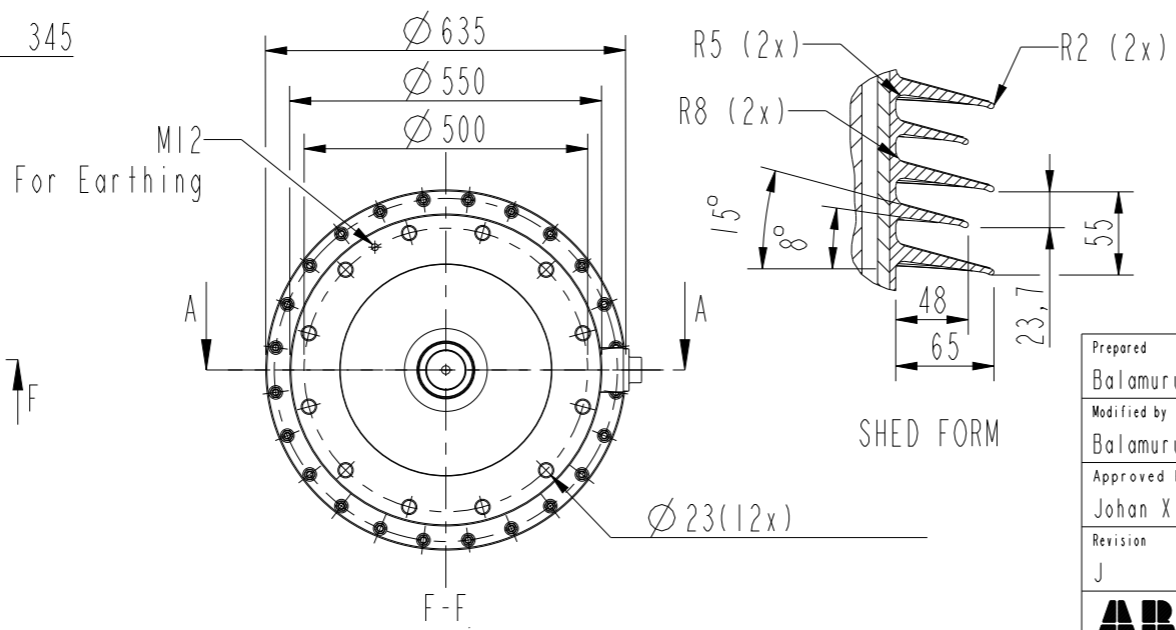
This document is issued by means of a computerized system. The digitally stored original is electronically approved. The approved document has a date entered in the "Approved"-field. A manual signature is not required.

The information contained in this document has to be kept strictly confidential. Any unauthorized use, reproduction, distribution or disclosure to third parties are strictly forbidden. ABB reserves all rights regarding Intellectual Property Rights. © Copyright 2013 ABB. All rights reserved.



Bushings Data:		
Rated Voltage	550	kV
Phase-to-earth Voltage	318	kV
Dry Lightning Impulse 1,2/50µs	1675/1800	kV
Wet Switching Impulse	1300	kV
Wet Power Frequency AC	750	kV
Routine test Imin dry 50Hz	750	kV
Rated Current	1600	A
Creepage Distance, nominal	19242	mm
Creepage Distance, minimum	18755	mm
Mass, Bushing	1010	kg

Ordering Data:			
BUSHING	BIL:1675kV	BIL:1800kV	AIR INSULATOR COLOUR/TYPE
IZSC901550	-CAB	-FAB	Test tap Composite
IZSC901550	-CBB	-FBB	Voltage tap 6kV Composite
OUTER TERMINAL		MATERIAL	D2 (mm)
IZSC999001-AAA		Al	30
IZSC999001-AAB		Al	60
IZSC999001-AAC		Cu	30
IZSC999001-AAD		Cu	40
DRAW ROD SYSTEM			
IZSC999006		Lower draw rod	
IZSC999007		Upper draw rod	
INNER TERMINAL			D3 (mm)
IZSC999005-AAA			15
IZSC999005-AAB			30
IZSC999005-AAC			40
IZSC999005-AAD			42
FIXED BOTTOM CONTACT			
IZSC999002-AAE			
END SHIELD			
IZSC999003-AEA		Epoxy insulated	
IZSC999003-AEB		Pressboard insulated	



Prepared Balamurugan N	2016-11-30	Responsible department PGCO/BK	Title GSB 550/1600/0.6	Language 82
Modified by Balamurugan N	2016-12-01	Take over department	Order	
Approved by Johan X Eriksson	2016-12-01	Used in product		Document no. 2751377-16
Revision J	Mass updated.		No. Shits. (1)	



1) Maximum length of CT