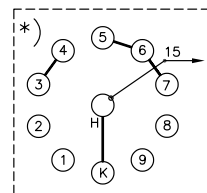
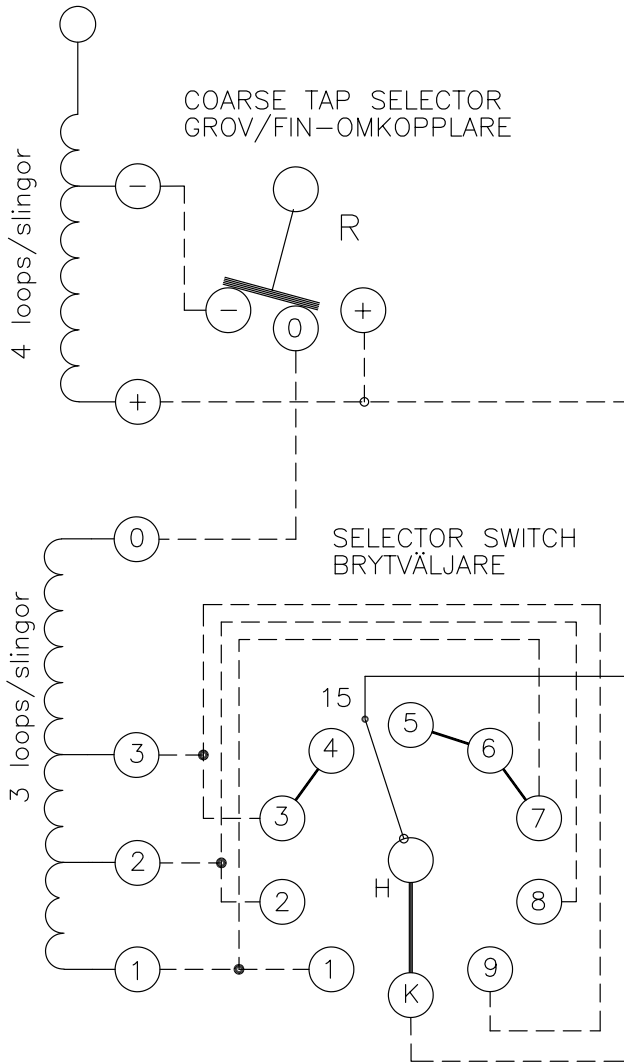


On-load tap-changer type VUBBD, UBBD, 7 tap positions, coarse/fine-switching.  
 Min effective No. of turns in pos 1.  
 The tap-changer is delivered set in pos 4, the preceding pos. was 3.

Lindningskopplare typ VUBBD, UBBD, 7 lägen, grov/fin-koppling.  
 Min antal effektiva varv i läge 1.  
 Lindningskopplaren levereras inställd i läge 4, föregående läge var 3.

Pos Läge	R connects förbinder	H connects förbinder
1	↑	3 - 15
2	0 - 0 -	2 - 15
3	↓	1 - 15
4	↓ ↑	K - 15
5	↑	9 - 15
6	0 + 0 +	8 - 15
7	↓	7 - 15



1) OUTPUT TERMINAL  
STRÖMAVTAGNING

\*) FOR VUBB TYPE OF OLTC  
I VUBB UTFÖRANDE

1) Internal connections between the terminals 15 of the three phases are included in the star-point type. Connections between 3, 4 and 5, 6, 7 are included. Dashed lines show in delivery not included leads belonging to cleats and leads.

H Main contact  
Huvudkontakt

Inre förbindningar mellan uttag 15 i de tre faserna ingår i nollpunktsutförande. Förbindningar mellan 3, 4 och 5, 6, 7 ingår.  
 Streckade linjer visar i leveransen ej ingående ledare tillhörande anslutningsdonet.

We reserve all rights in this document and in the information contained therein. Reproduction, use or disclosure to third parties without express authority is strictly forbidden.  
© ABB '19

2	Output for VUBB type added.	DAAN	20	15
1	VUBBD added.	TL	10	27
Rev Ind	Revision	Appd	Year	Week

Accepted by qual control R.Yngvesson	Accepted for prod by	Description (English) CONNECTION DIAGRAM	DATAORIGINAL
Design checked by B-O.Stenestam	Drawn by L.Bergman	Description (own language) KOPPLINGSSHEMA	File name 0392-1
Drawing checked by M.Hedlund	Issued by Dept Year Week COM/TKO 97 32	Lang 1	Sheet 1
Asea Brown Boveri		Rev Ind 2	Cont -

5492 0392-1

Sheet	Cont
Year	Week
Dept	
Rev Ind	
Design checked by	
Form No.	