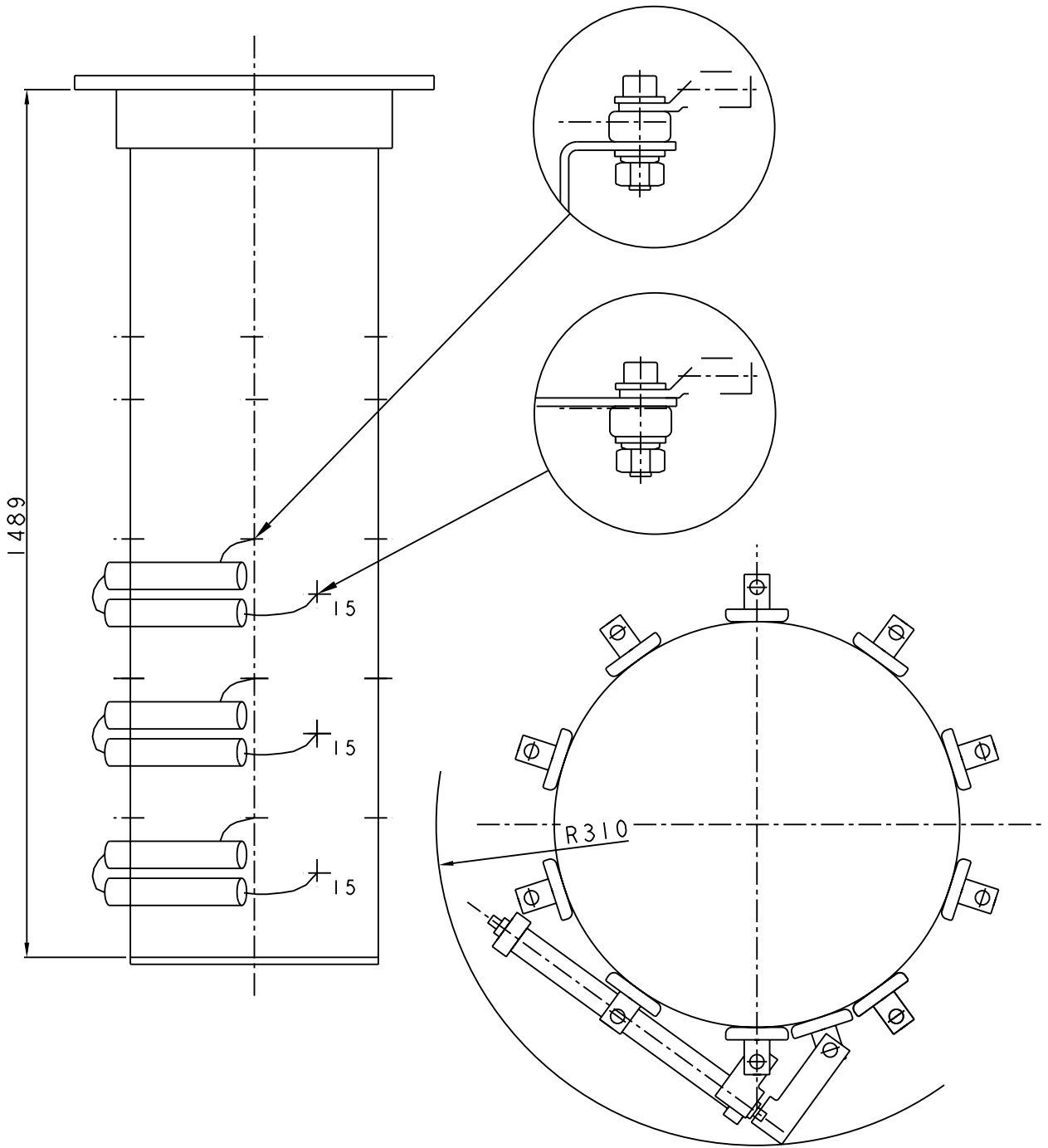


We reserve all rights in this document and in the information contained therein. Reproduction, use or disclosure to third parties without express authority is strictly forbidden. © ABB 19



Drawn by	Form No.		Sheet	Cont
	Year	Week		
Design checked by	Rev	Ind	Dept	
	Accepted by qual control R. Yngvesson		Accepted for prod by L. Larsson	
	Description (English) TIE-IN RESISTOR FOR UBB.T		DATA ORIGINAL	
Design checked by	Design checked by B-O. Stenestam		Description (own language) DÄMPMOTSTÅND FÖR UBB.T	
	Drawn by B. Ekman		File name 0050-19	
Design checked by	Drawing checked by B. Hultgren		Lang 82	
	Issued by Dept Year Week COM/TKU 95 19		Sheet 1	
Asea Brown Boveri			5492 0050-19	
			Rev	Ind
			Cont	-