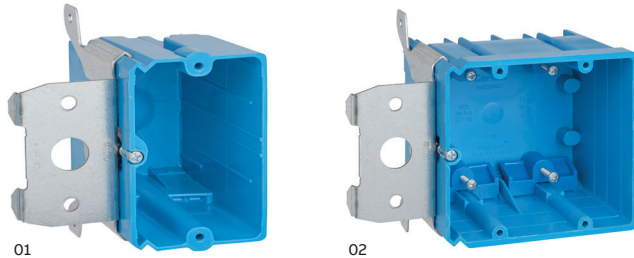

 TECHNICAL DATA SHEET

Outlet box, adjustable

High-Heat Adjust-A-Box®

Carlon®



01

02

 01 Outlet Box 1-gang
 02 Outlet Box 2-gang

Features:

- Side-to-side approved for 3" spacing within same stud cavity on 2x4 studs.
- HH239ADJ approved for back-to-back installation with no minimum spacing on 2x6 studs.
- Ability to adjust box once installed behind drywall to accommodate varying depths — adjustable up to 1¾"
- Adjustability makes this new product perfect for fire walls with double drywall installed, back splashes, bathroom or kitchen installs.
- Removing the box from bracket on the single gang allows to upgrade to a double gang box, ideal for old work applications
- The steel bracket is designed to be used with steel or wood studs.

Applications:

- Commercial and institutional construction
 - A complete box line with unique labor and energy saving propositions.
- Residential construction
 - Innovative new products that comply with the latest energy and building codes.
- Carlon® High-Heat BLUE boxes can be installed in the same stud cavity of a shared two-hour wall. The double gang box may also be installed back-to-back on 6" studs in the same cavity.

High-Heat BLUE boxes are specifically designed for use in fire-rated walls in residential and light commercial construction.

Certifications / Standards:


Conforms to:

- UL File R9140, E11461 for 2-hour fire resistive walls.

Technical:
Wire Size

- 1 Gang 14-10 AWG
- 2 Gang 14 - 8 AWG

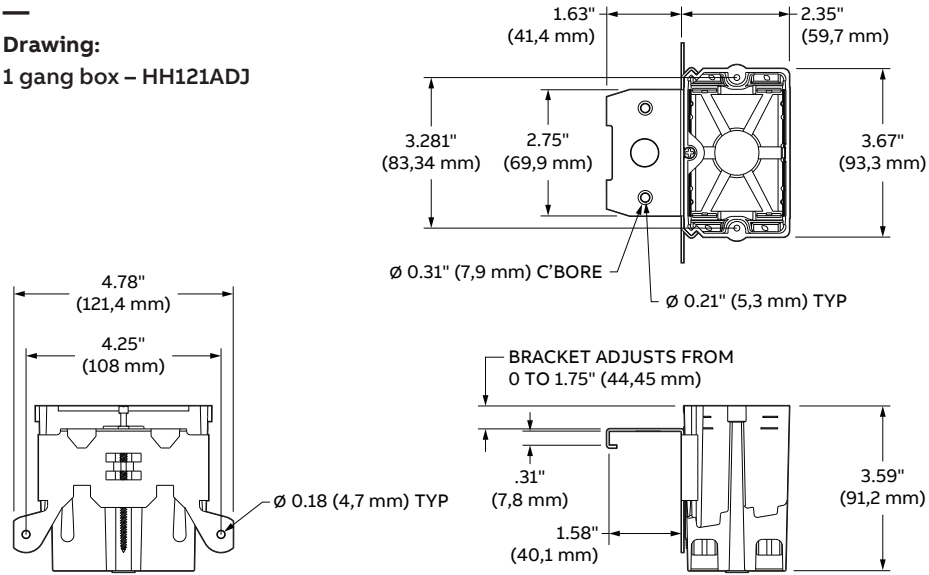
Wire Entrances

- 1 Gang: 4
- 2 Gang: 8

Materials:

- Box Material: Polyester Resin
- Bracket Material: Galvanized Steel

Drawing:
1 gang box – HH121ADJ



Drawing:
2 gang box – HH239ADJ

