

We reserve all rights in this document and in the information contained therein. Reproduction, use or disclosure to third parties without express authority is strictly forbidden. © ABB 19

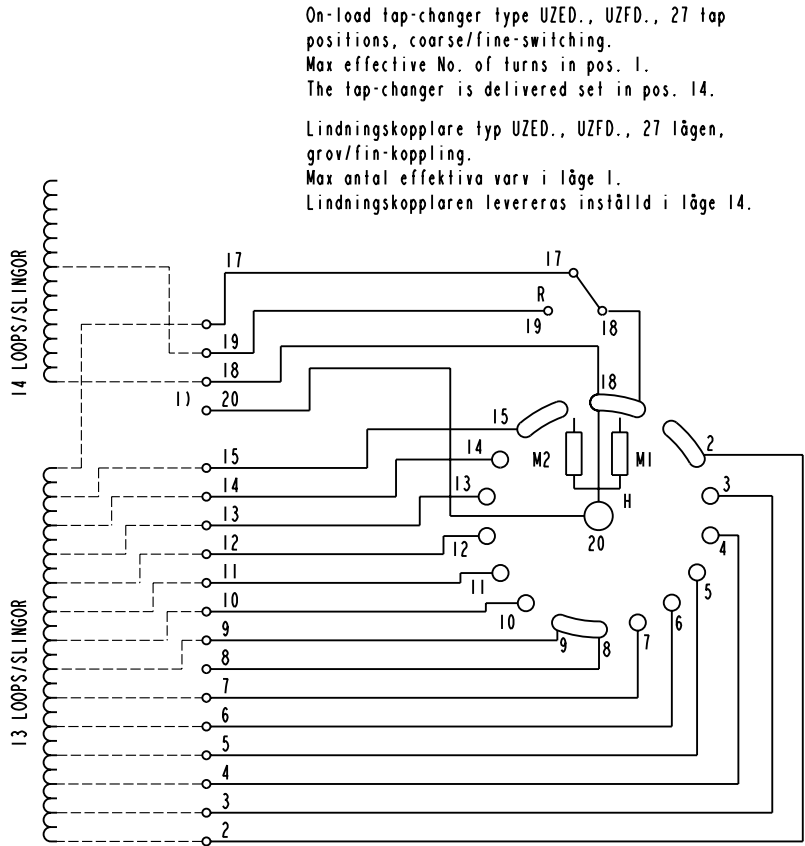
Pos. Läge	R connects förbinder	H connects förbinder
1	17-18	2-20
2		3-20
3		4-20
4		5-20
5		6-20
6		7-20
7A		8-20
7		9-20
8		10-20
9		11-20
10		12-20
11		13-20
12		14-20
13A		17-19
13	18-20	
14	2-20	
14A	3-20	
15	4-20	
15A	5-20	
16	6-20	
17	7-20	
18	8-20	
19	9-20	
20	10-20	
21	11-20	
21A	12-20	
22	13-20	
23	14-20	
24	15-20	
25		
26		
27		

A position with letter is a through position and gives the same voltage as the normal position.

Läge med bokstav är ett genomloppsläge och ger samma spänning som normalläget.

1) Connections between the terminals 20 of the three phases are included in the star-point type.

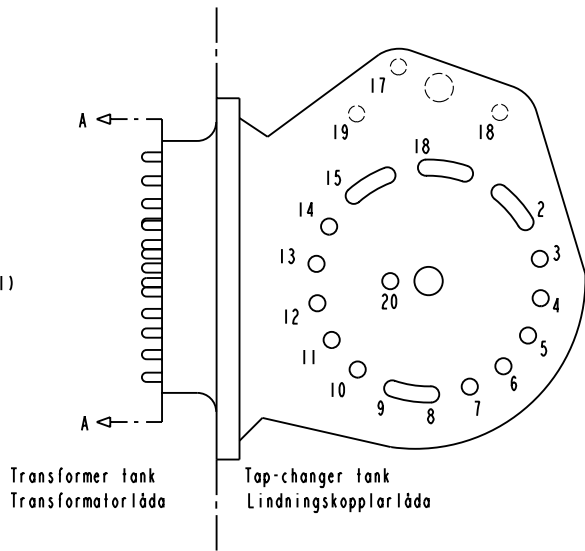
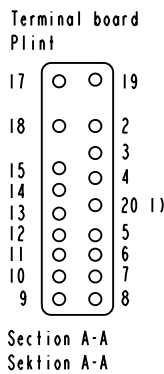
Förbindningar mellan uttag 20 i de tre faserna ingår i nollpunktsutförandet.



On-load tap-changer type UZED., UZFD., 27 tap positions, coarse/line-switching.  
Max effective No. of turns in pos. 1.  
The tap-changer is delivered set in pos. 14.  
Lindningskopplare typ UZED., UZFD., 27 lägen, grov/fin-koppling.  
Max antal effektiva varv i läge 1.  
Lindningskopplaren levereras inställd i läge 14.

The tap-changer is shown in pos. 14  
Lindningskopplaren visad i läge 14

R Change-over selector  
Grov/fin-omkopplare  
H Main contact  
Huvudkontakt  
M1, M2 Transition contacts  
Motståndskontakter



Sheet	Cont	Year	Week
Rev In	Revision	Appd	Year Week
Accepted by	Accepted for prod by	Description (English) CONNECTION DIAGRAM	
Design checked by	Drawn by	Description (own language) KOPPLINGSSHEMA	
Drawing checked by	Issued by	Year Week	File name
	COM/TKO 97 33		0395-8
Lang		Sheet	
		1	
Rev In		Cont	



Asea Brown Boveri

5492 0395-8