

18

17

16

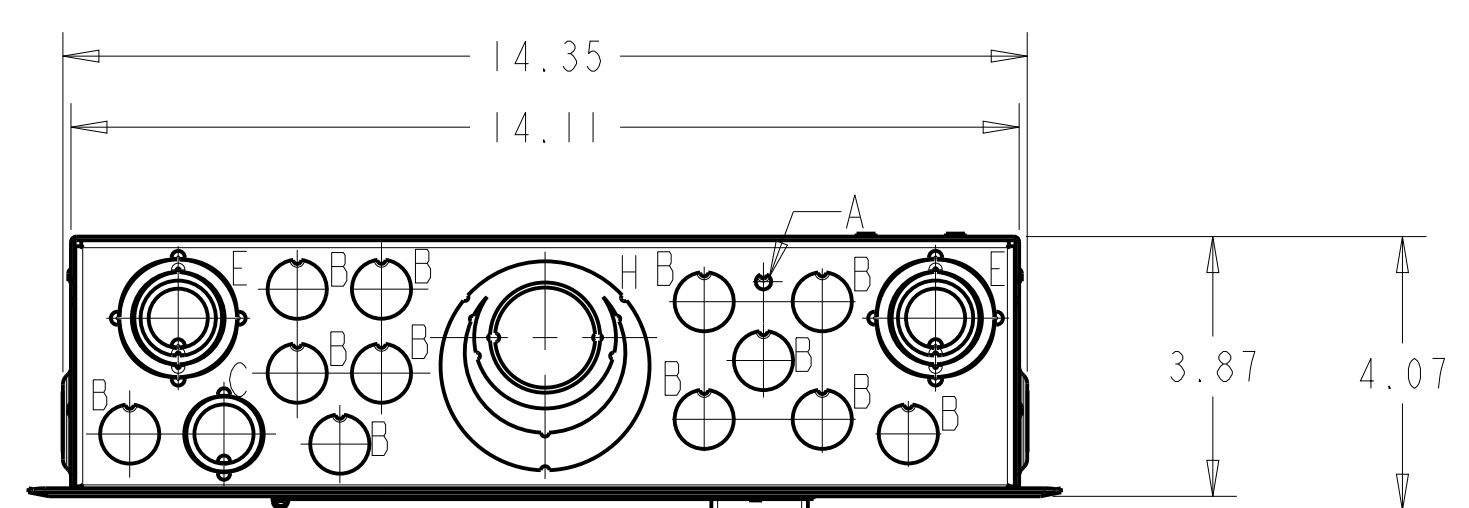
15

14

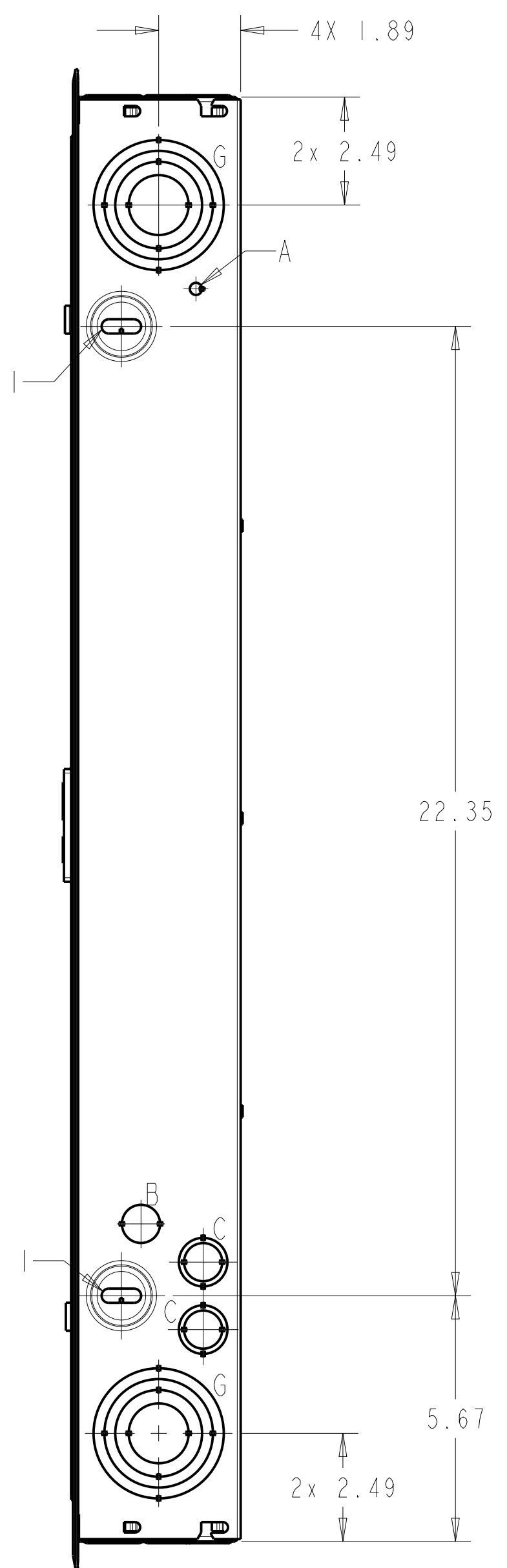
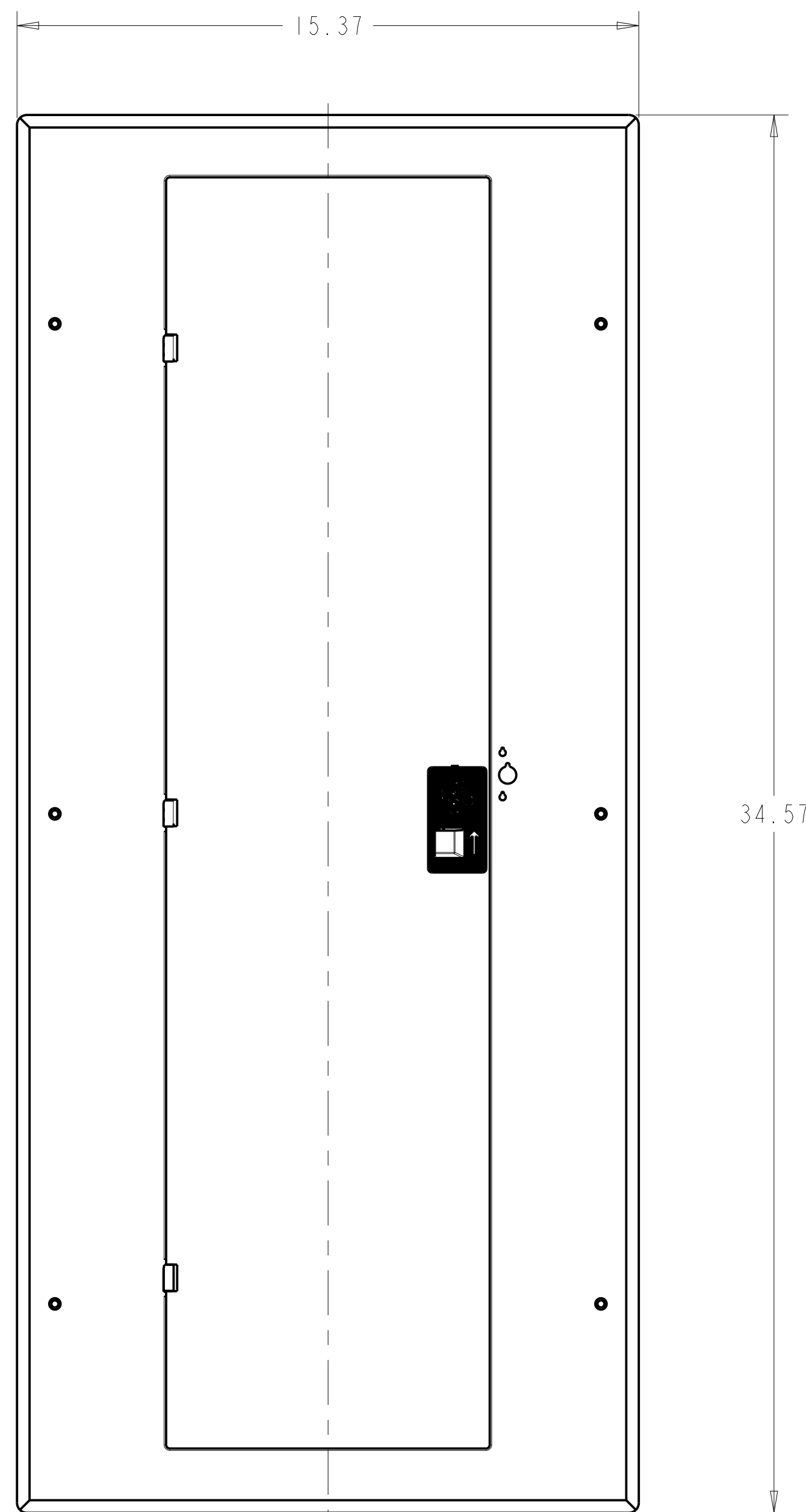
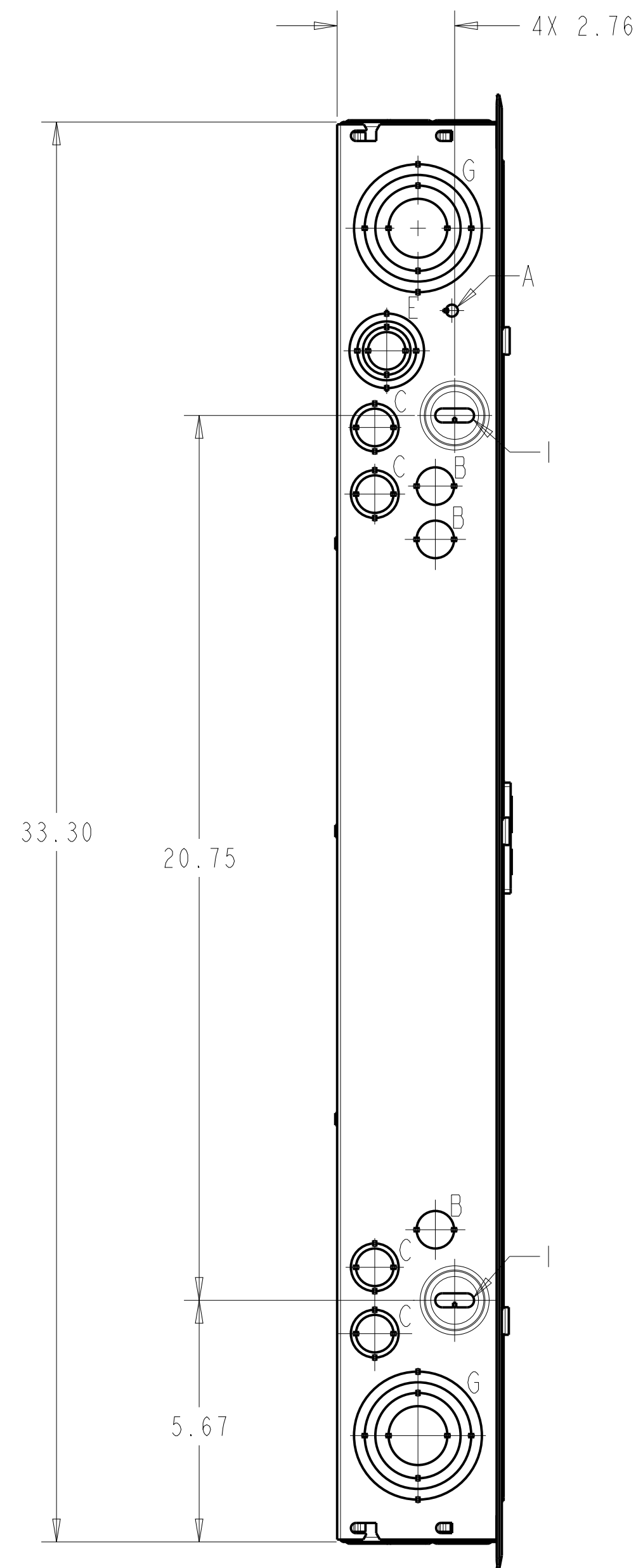
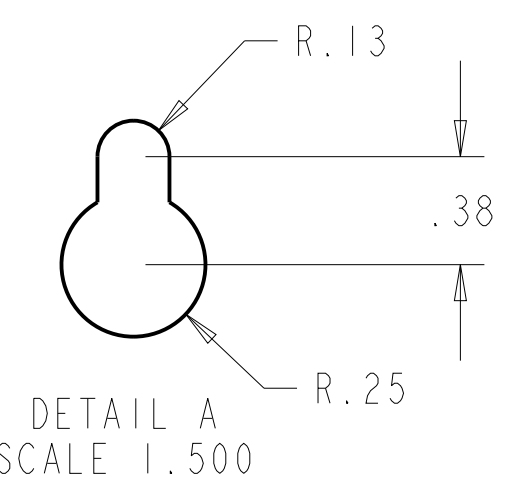
13

12

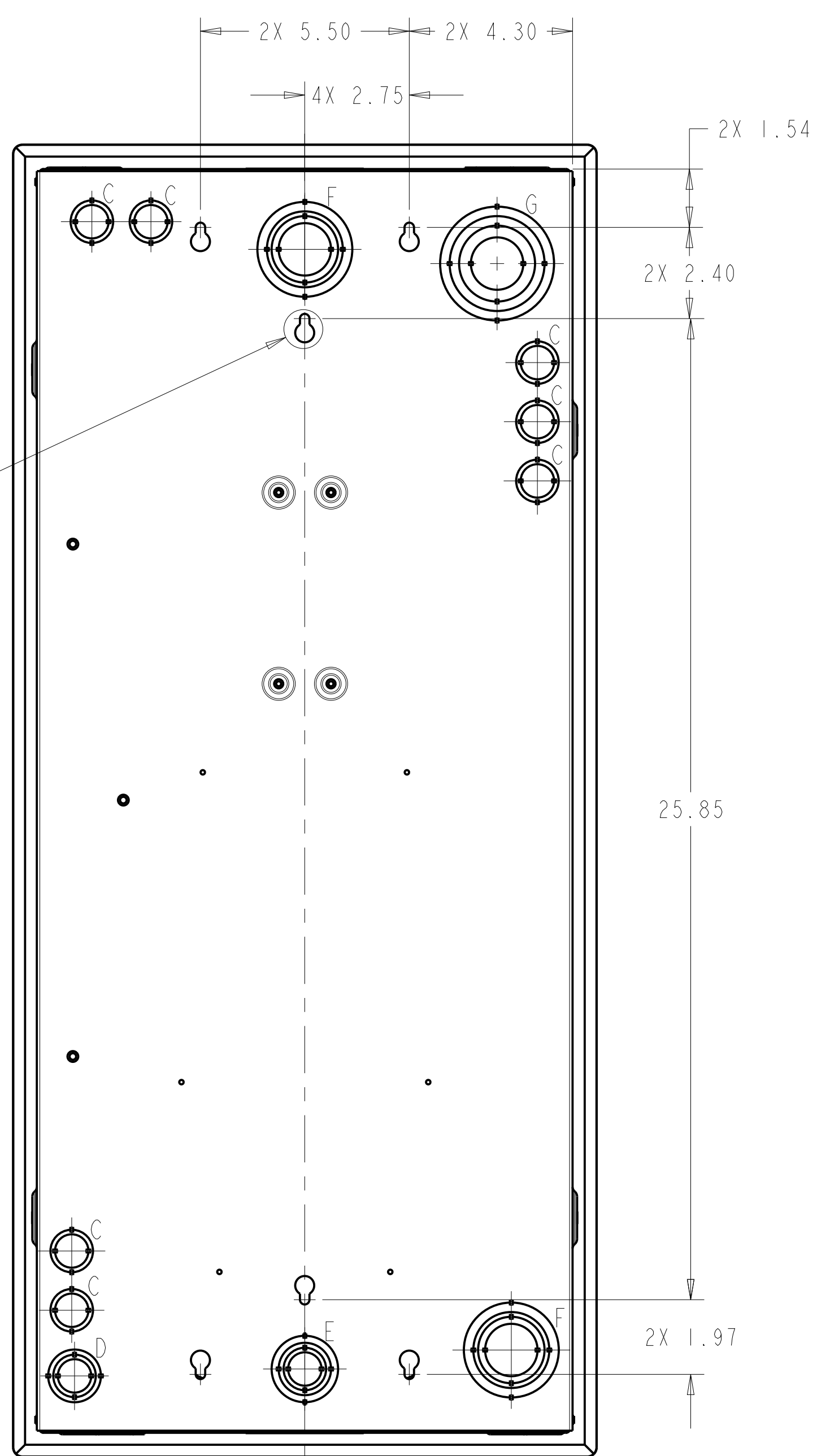
11



MOUNTING HOLES (X6)
ON THE BACK SURFACE OF THE ENCLOSURE

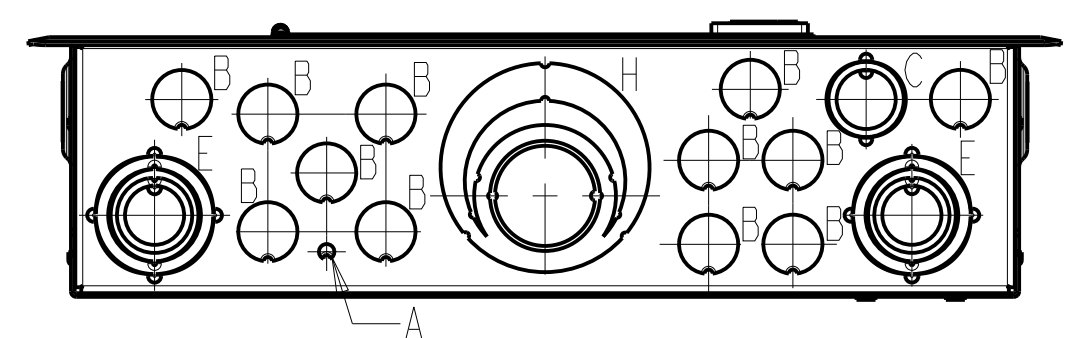


SEE
DETAIL A



⌀ OF BOX

⌀ OF BOX



SYMBOL	SIZE	QTY.
A	9/32 KO	4
B	1/2 KO	28
C	1/2 X 3/4 KO	15
D	1/2 X 3/4 X 1 KO	1
E	1/2 X 3/4 X 1 X 1 1/4 KO	5
F	1 X 1 1/4 X 1 1/2 X 2 KO	1
G	1 X 1 1/2 X 2 X 2 1/2 KO	5
H	1 X 1 1/4 X 1 1/2 X 2 X 2 1/2 KO	2
I	.219 X .08 OBLONG KO	4

CAT. NO.	MODEL
TM24415C	4
TM24415CB	4

ALL DIMENSIONS HAVE +/- .125 TOLERANCE

ABB

MAIN C/B PANEL 3P 4W 150A
14" INDOOR ASM ENCLOSURE (33.19)

THIRD ANGLE	SHEET#	DWG NO.	DATE	REV
	1 of 1	10103091SH288	Apr-29-22	1

18

17

16

15

14

13

12

11