

ReliaGear™ neXT Panelboard

Door Handle Replacements


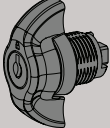
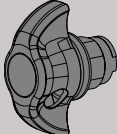
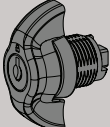
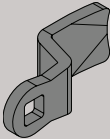

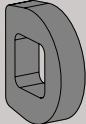
WARNING

Danger of electrical shock or injury. Turn OFF power ahead of the panelboard before working inside the equipment or removing any components. Do not remove circuit protection devices or any other component until the power is turned OFF.

**Note:**

These instructions show the installation of the SouthCo door lock (for standard locking door and door-in-door configurations) into the ReliaGear neXT panelboard, using the kit provided. Follow the same instructions for the installation of padlockable and Corbin door locks.

Component List

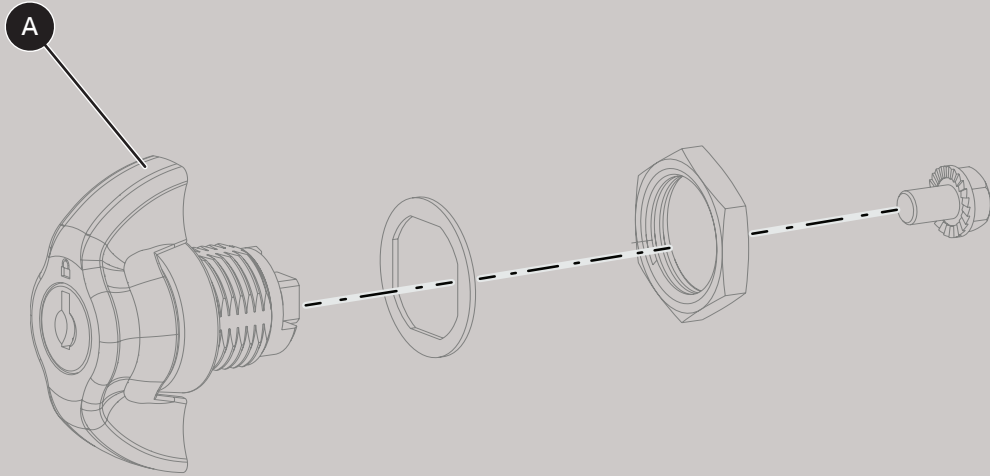
		Description	SouthCo Door Lock	Padlockable Door Lock	Corbin Door Lock
A		Quarter Turn Cam Latch key lockable	1X		
A		Quarter Turn Cam Latch padlockable		1X	
A		Quarter Turn Cam Latch corbin lockable			1X
B		Door-in-Door Cam E5-6103	1X	1X	1X
C		Actuator Plate Assembly and C-Clips	1X	1X	1X
D		Standard Locking Cam	1X	1X	1X

Assembly Instructions

Standard Locking Door & Door-in-Door Catalog Series DDXXXXAHXX

1

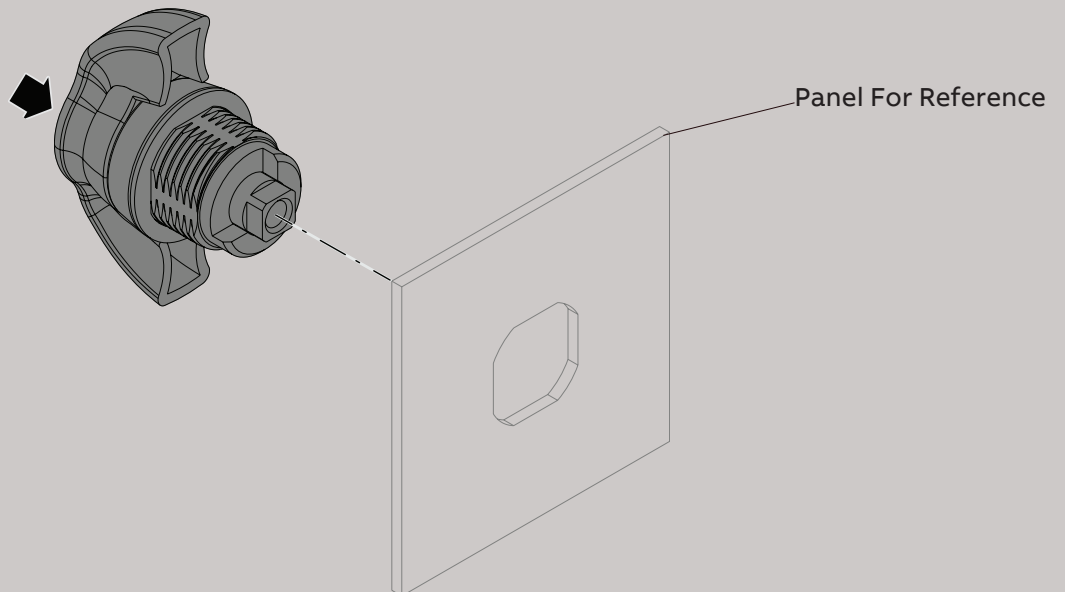
Dismantle the Quarter Turn Cam Latch (SouthCo Door Lock)



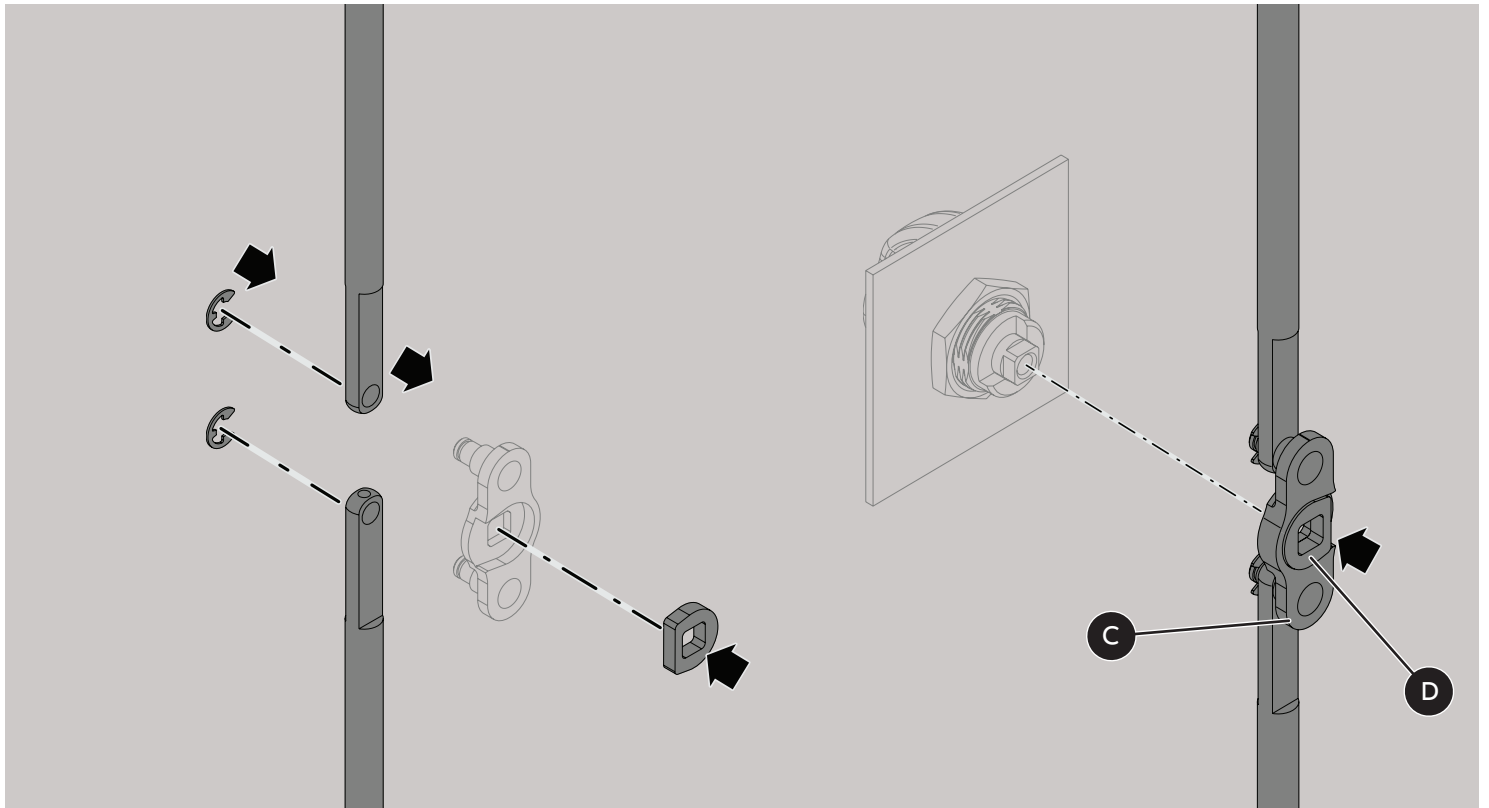
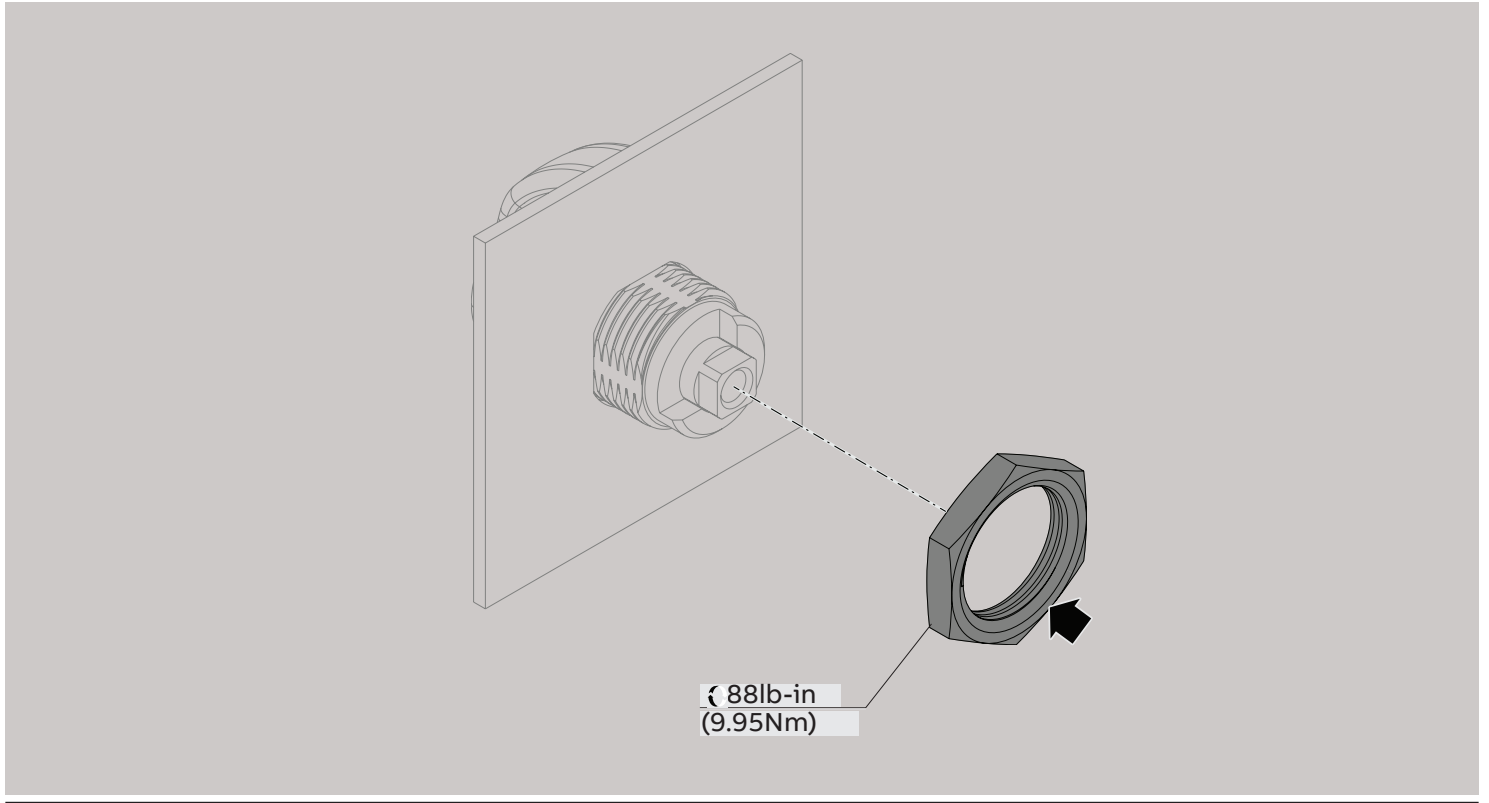
Note:
Do not use the sealing washer for Standard locking and NEMA 1 applications.

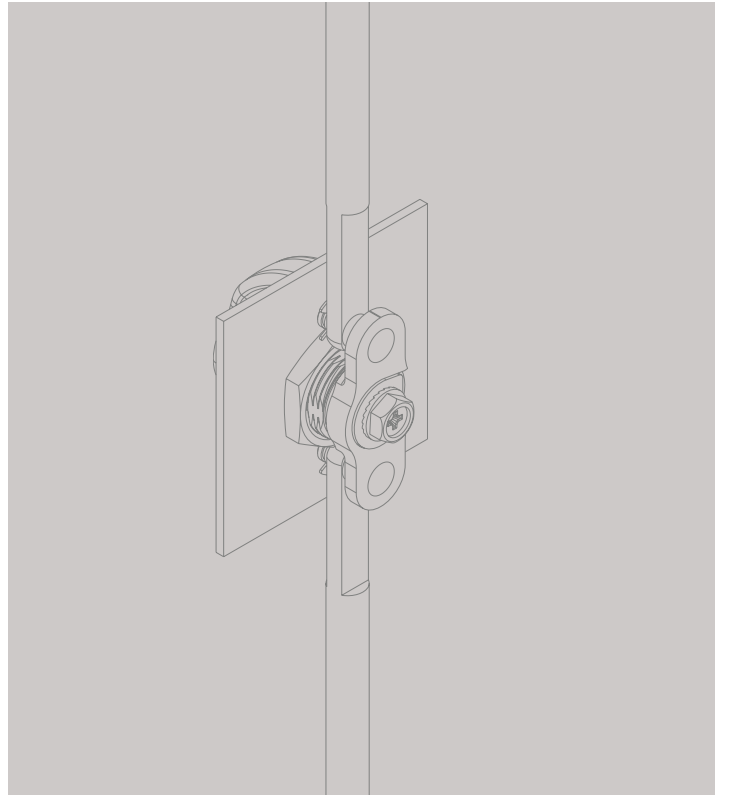
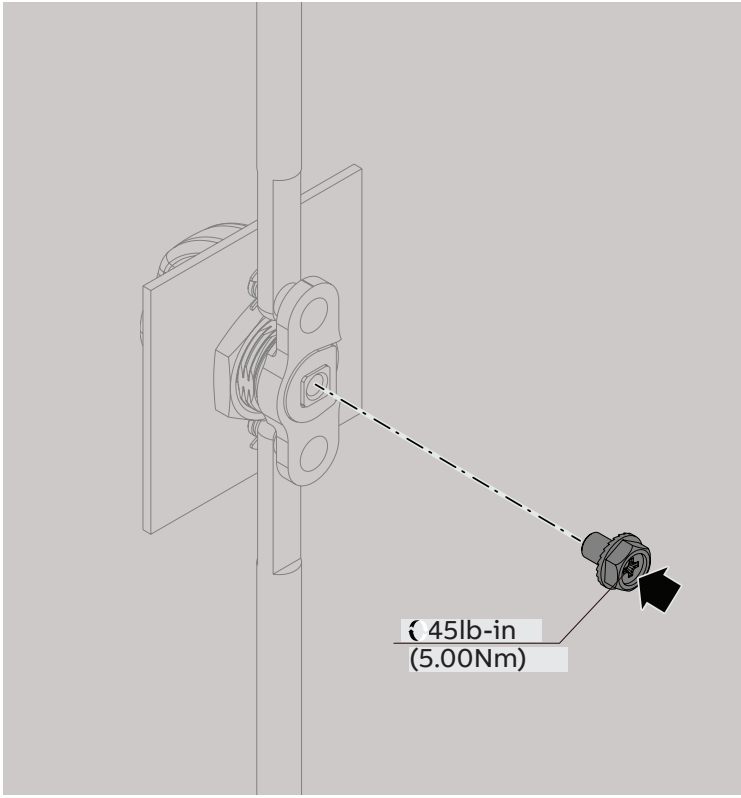
2

Install Quarter Turn Cam latch Onto Panel



Note:
For the padlockable type, the latch orientation should be with the padlock holes shown towards the bottom of the front panel.

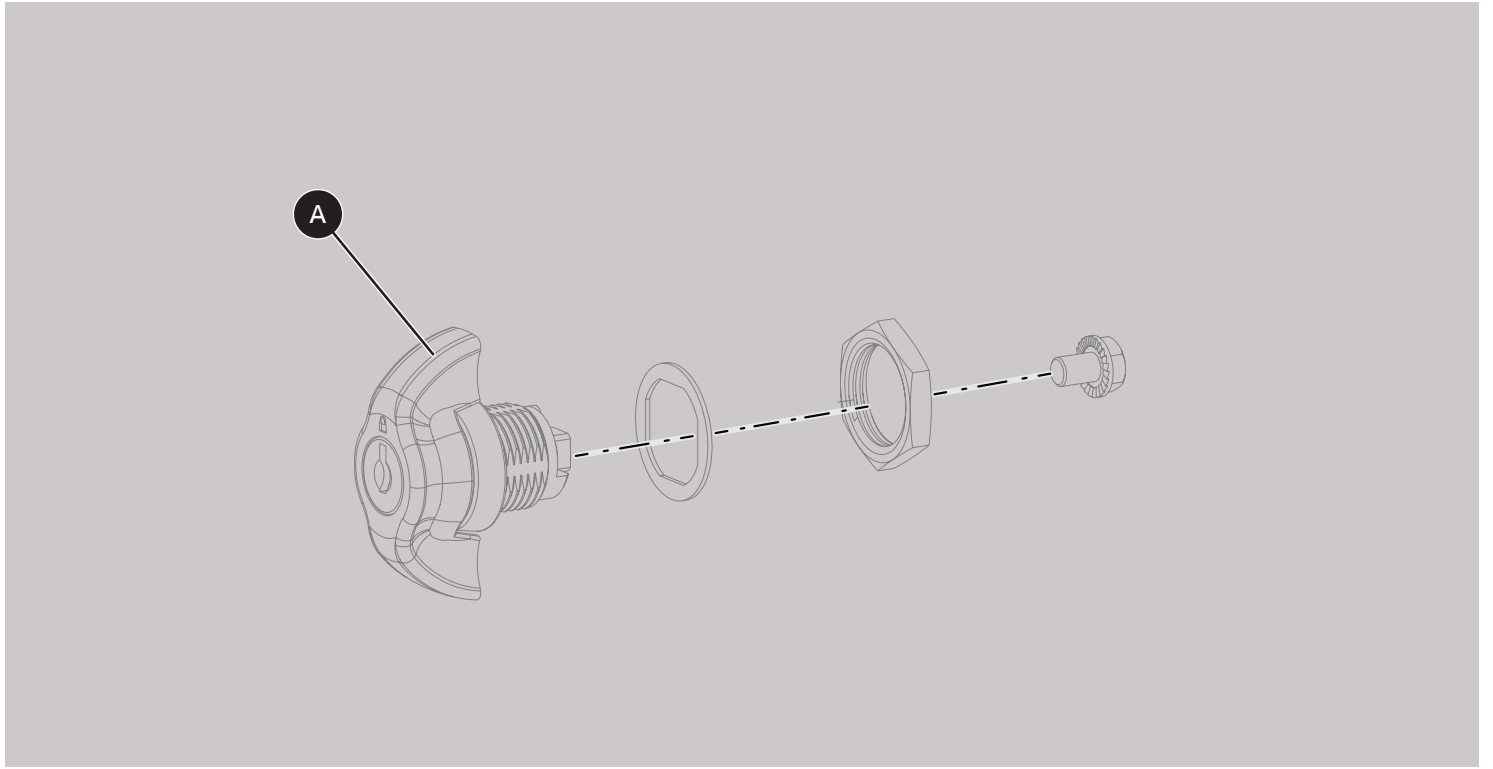




Assembly Instructions
Door-in-Door Catalog Series DDXXXXADXX

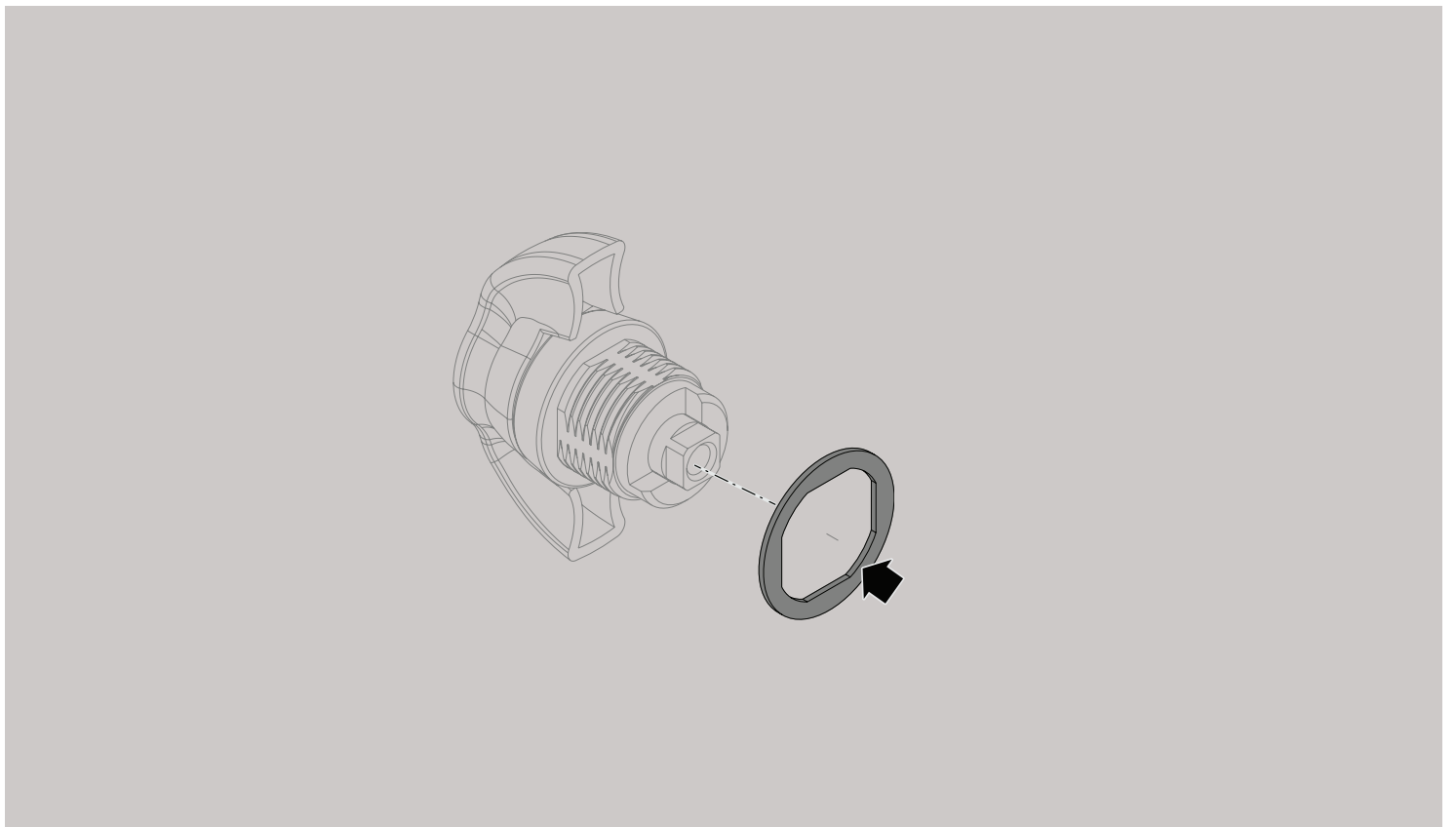
1

Dismantle the Quarter Turn Cam Latch (SouthCo Door Lock)

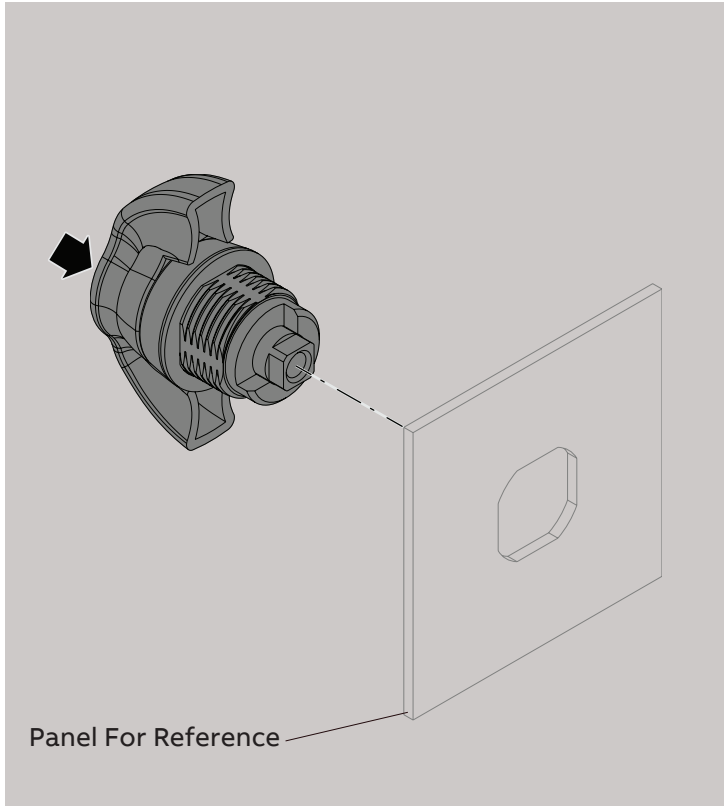


2

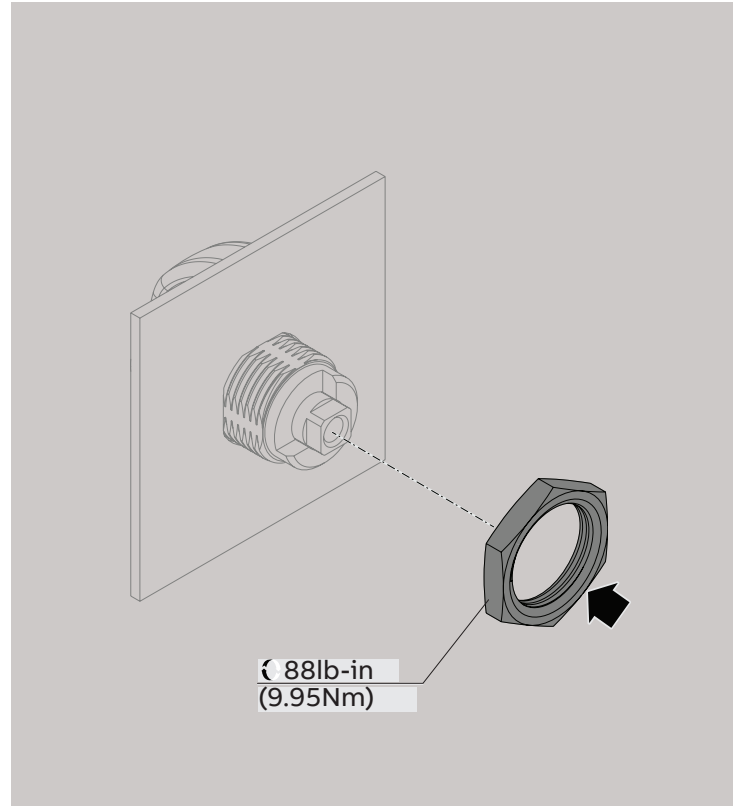
Place Sealing Washer Onto Latch Housing



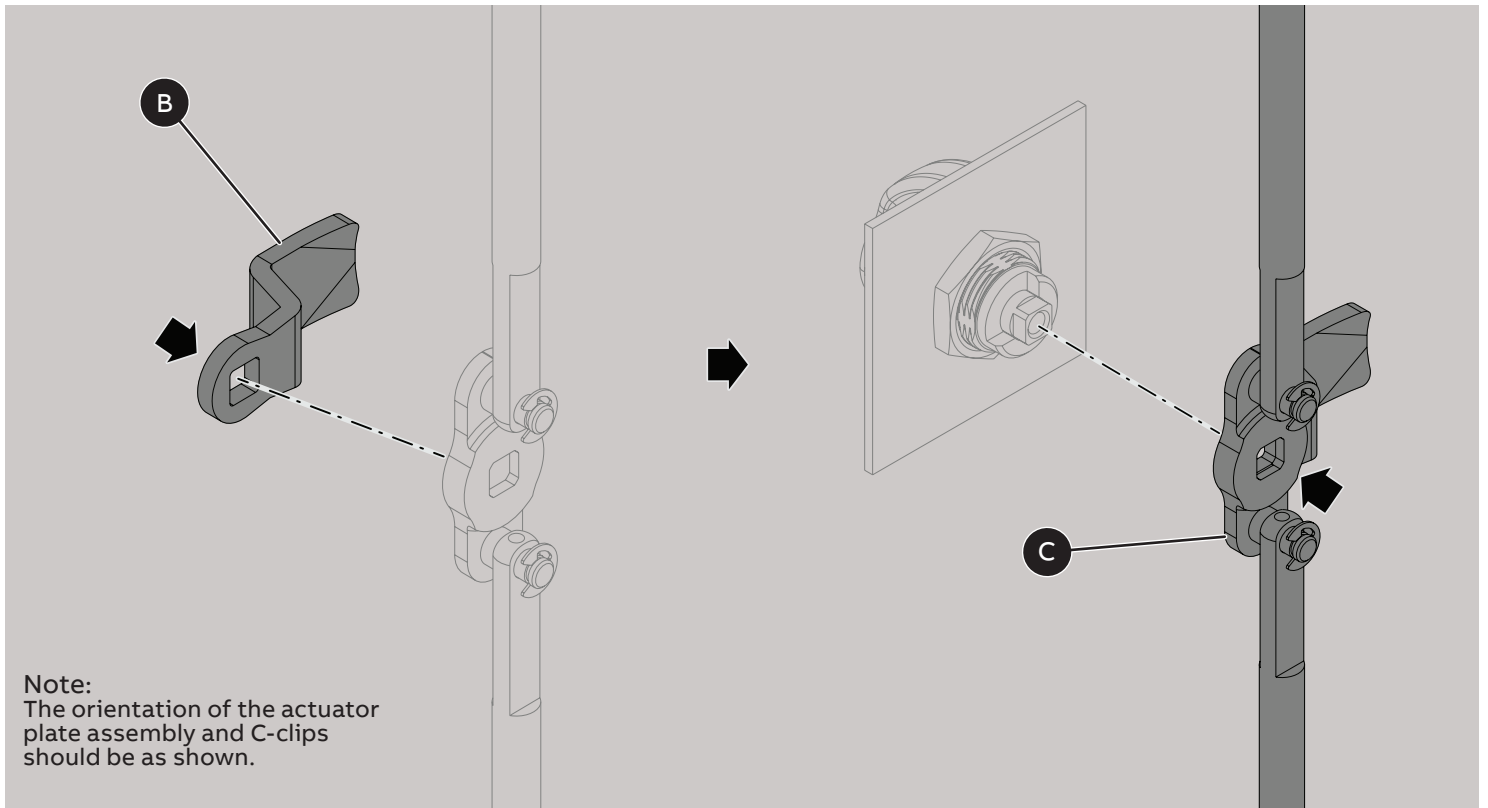
3 Install Quarter Turn Cam latch Onto Panel



4 Install Mounting Nut

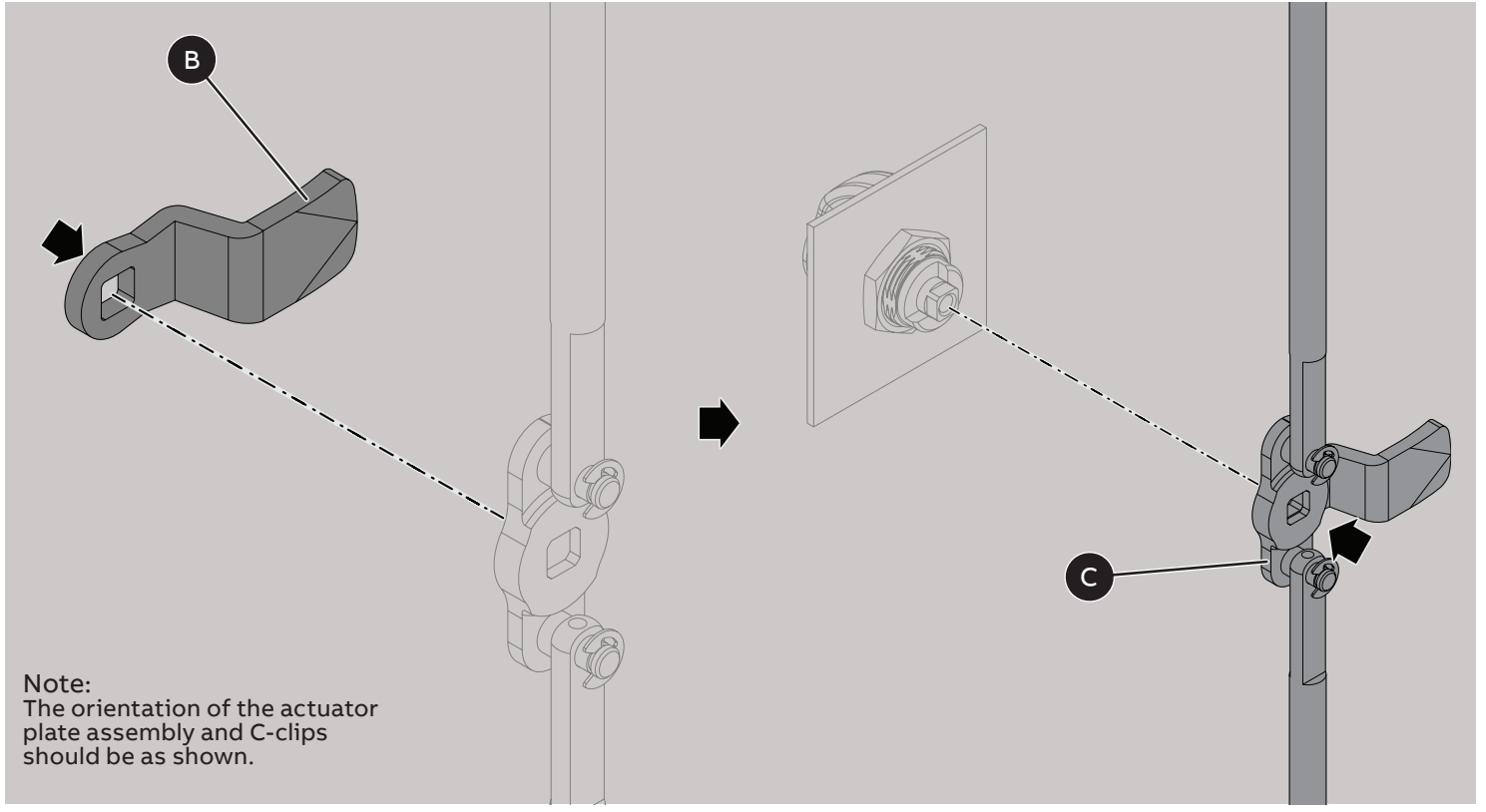


5 Place Actuator Plate Assembly And C-Clips Onto The Latch Assembly (Outer Door)



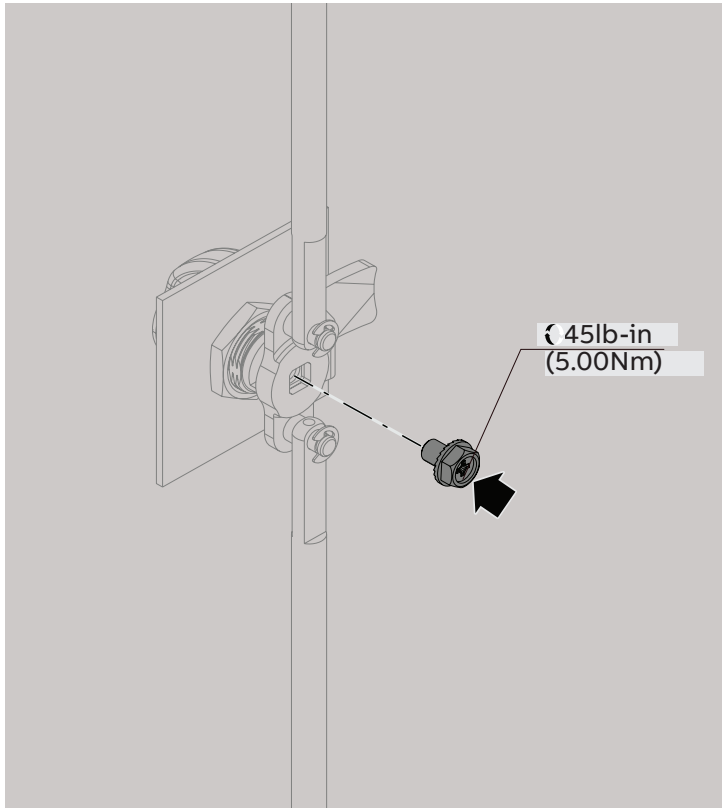
6

Place Actuator Plate Assembly And C-Clips Onto The Latch Assembly (Inner Door)

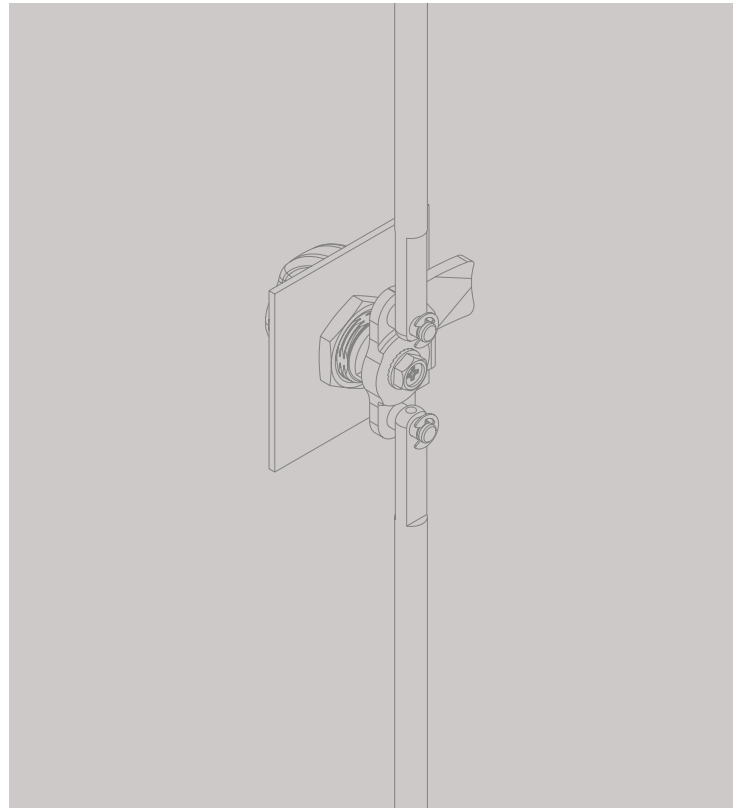


7

Install M6 Screw 8



Lock By Turning Key



Disclaimer : These instructions do not cover all details or variations in equipment nor do they provide for every possible contingency that may be met in connection with installation, operation or maintenance. Should further information be desired or should particular problems arise that are not covered sufficiently for the purchaser's purposes, the matter should be referred to the ABB Company.

—
ABB Inc.
305 Gregson Drive
Cary, NC 27511

—
We reserve the right to make technical changes or modify the contents of this document without prior notice. With regard to purchase orders, the agreed particulars shall prevail. ABB AG does not accept any responsibility whatsoever for potential errors or possible lack of information in this document.

We reserve all rights in this document and in the subject matter and illustrations contained therein. Any reproduction, disclosure to third parties or utilization of its contents – in whole or in parts – is forbidden without prior written consent of ABB AG. Copyright © 2023 ABB
All rights reserved

abb.com