

We reserve all rights in this document and in the information contained therein. Reproduction, use or disclosure to third parties without express authority is strictly forbidden. © ABB 19

Pos. Lage	H connects H förbinder
1	1 - 15
2	2 - 15
3	3 - 15
4	4 - 15
5	5 - 15
6	6 - 15
7	7 - 15
8	8 - 15

On-load tap-changer type UZEL., UZFL., 8 tap positions, linear switching.

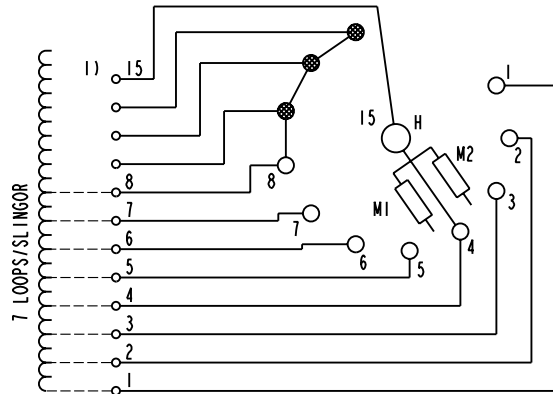
Max. effective No. of turns in pos. 1.

The tap-changer is delivered set in pos. 4.

Lindningskopplare typ UZEL., UZFL., 8 lägen, linjär koppling.

Max. antal effektiva varv i läge 1.

Lindningskopplaren levereras inställd i läge 4.

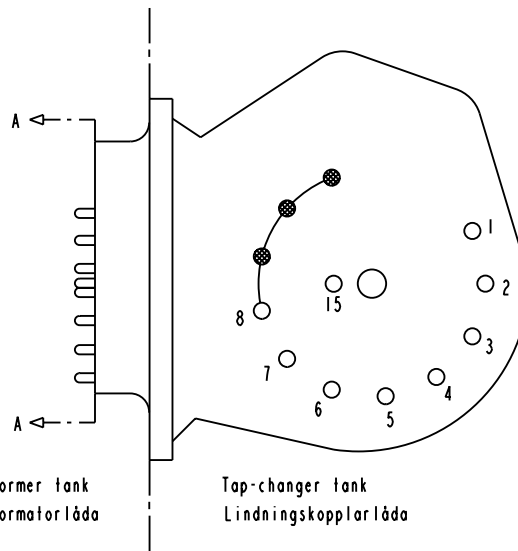
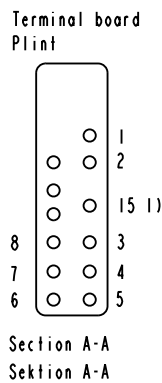


The tap-changer is shown in pos. 4
Lindningskopplaren visad i läge 4

H Main contact M1, M2 Transition contacts
Huvudkontakt Motståndskontakter

1) Connections between the terminals 15 of the three phases are included in the star-point type.

Förbindningar mellan uttag 15 i de tre faserna ingår i nollpunktsutförandet.



Sheet	Cont
	Year Week
Form No.	Dept
	Year Week
Design checked by	Rev
	Ind
Design checked by	Year Week
	Year Week

Accepted by qual control	Accepted for prod by	Description (English)	DATA ORIGINAL
R. Yngvesson		CONNECTION DIAGRAM	
Design checked by	Drawn by	Description (own language)	File name
B-O. Stenestam	L. Bergman	KOPPLINGSSHEMA	0393-4
Drawing checked by	Issued by Dept	Year Week	Lang
M. Hedlund	COM/TKO	97 33	Sheet
			Cont
Asea Brown Boveri		5492 0393-4	