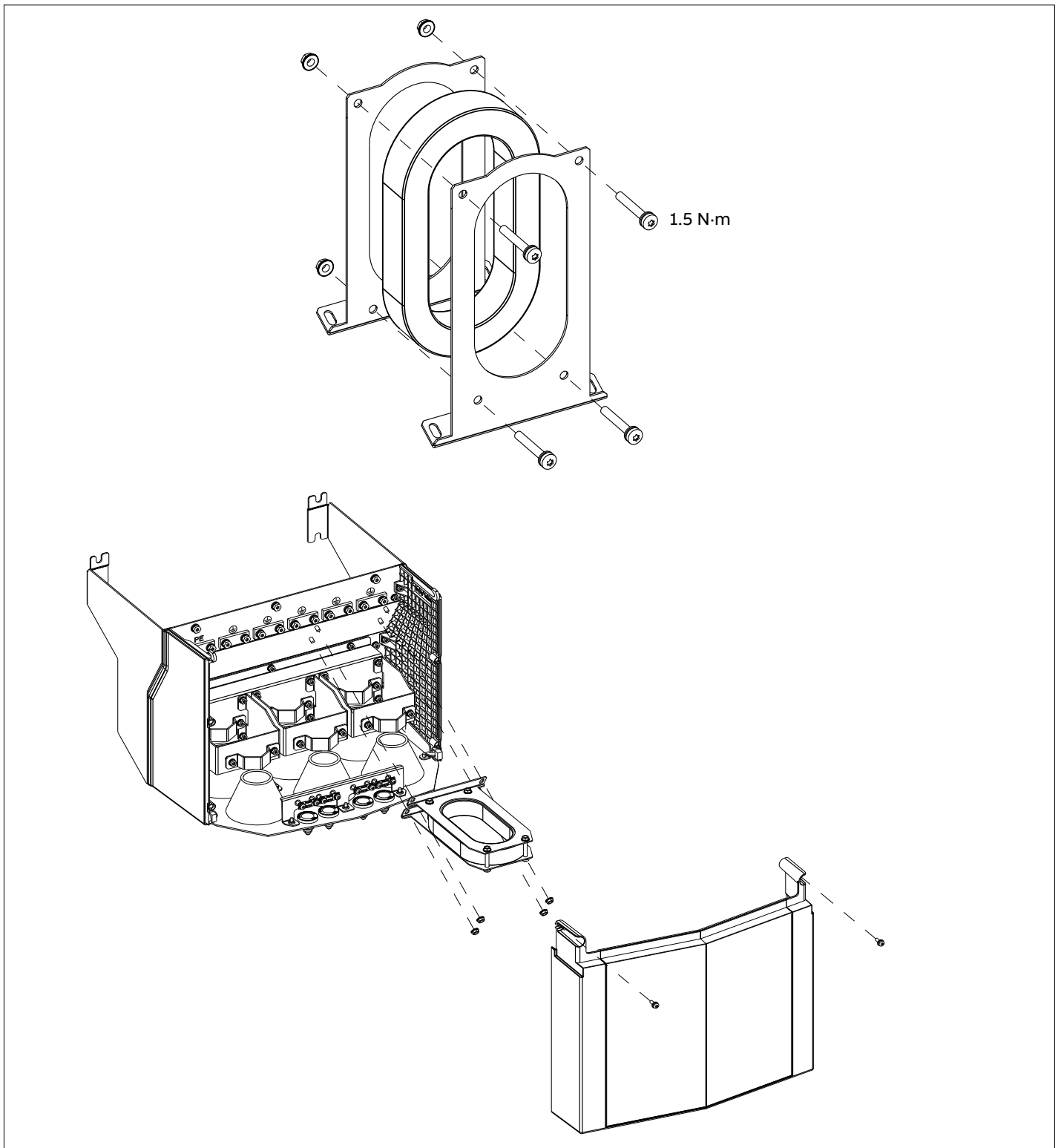



# Common mode filter kit for ACS880-01 drives (frame R9, option +E208)

## Installation instructions



Make sure that the grounding conductor is longer than the phase conductors.

T1/U, T2/V, T3/W		
T (Wire screw)		T
M...	N·m	N·m
M12	70	9.8

