

NOTES:

1. WARNING: This drawing does not illustrate completely the installation methods required for hazardous locations.

Prior to any installation in a Classified Hazardous Location, verify installation methods by the Control Drawing referenced on the product's name tag and national and local codes.

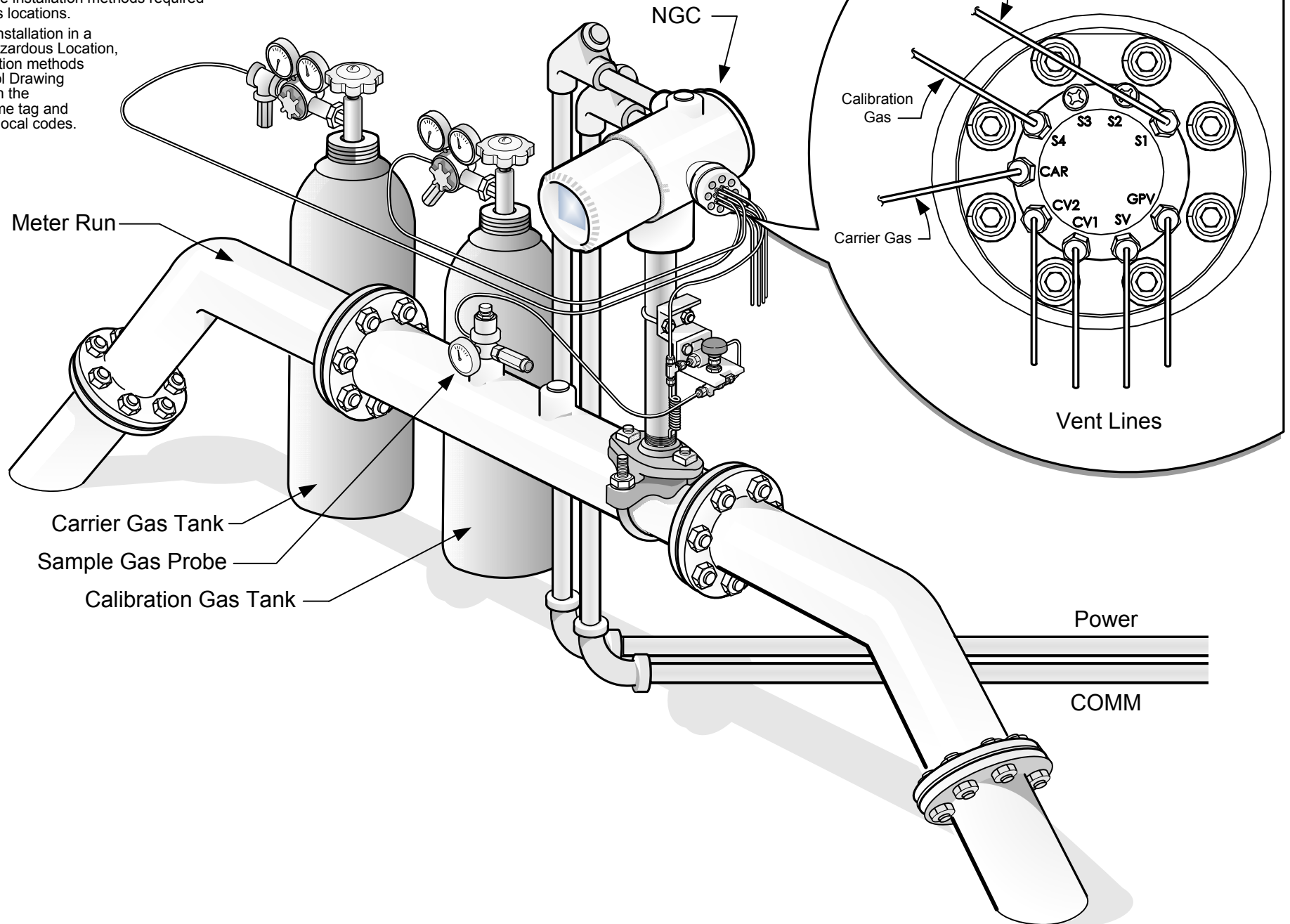


ABB	TOTALFLOW	ACTION	DOC TYPE	TITLE	DWG NO.	REV	SHEET
	Products	D20113	UD	NGC SAMPLE COLLECTION	2102466	AB	1 OF 1