

CTR-25xxx

Outdoor current transformer



The CTR-25 xxx transformers are designed to work in outdoor conditions in highest voltage for equipment up to 52 kV and rated primary currents up to 3000 A.

Application

In order to comply with higher short circuit levels in the systems, the CTR-25 xxx have been designed to withstand 60kA in 1 second short circuit thermal currents.

The current transformers have been designed as a single primary turn with useful outlets to connect on the MV network primary circuit.

For insulation and protection, the active parts are encapsulated in a block of HCEP – hydrophobic cycloaliphatic epoxy resin.

Applicable standards: IEC 61869-1; IEC 61869-2; EN-50152-3-2.



Fast and easy to install and operate

- Same design covers single- and two-phase applications
- Easy to install and commission
- Minimal maintenance costs



Customer benefits

- Properties of HCEP (Hydrophobic Cycloaliphatic Epoxy) ensure superior arc track, ozone, and ultraviolet-resistive properties while maintaining physical strength



Safety and protection

- Creepage distance covers a wide range of customer requirements
- Epoxy terminal block provided with lead seal lock ensures the IP55 degree of protection environments



Reliable in extreme conditions

- Solid dielectric design with HCEP insulation material
- Less wetting of surface:
 - better reliability due to lower leakage currents and lower flash-over probability
 - improved life expectancy due to less erosion
- Superior performance in polluted environments with HCEP insulator
- Possibility to install and operate in seismic environment

Rated data		
Highest voltage for equipment (r.m.s.)	[kV]	up to 52
Rated power-frequency withstand voltage (r.m.s.)	[kV]	95
Rated lightning impulse withstand voltage (peak)	[kV]	250
Rated frequency	[Hz]	50, 60
Rated primary currents	[A]	up to 3000
Rated secondary currents	[A]	1; 5
Rated continuous thermal current	[%]	120, 150, 200
Max. number of secondary winding	[-]	4
Rated short-time thermal current, 1sec.	[kA]	80xIpn, max. 63
Available classes		0,2; 0,2S; 0,5; 0,5S, 1, 3, 5P; 10P, PR, PX ¹⁾
Creepage distance	[mm]	min. 1700
Approximate weight	[kg]	130
Ambient temperature	[°C]	-40... +50

¹⁾ Burden is calculated on customer request.

Basic marking

- CTR-25 W21 – wide version, primary current up to 1200A,
- CTR-25 W61 – wide version, primary current up to 3000A,
- CTR-25 N21 – narrow version, primary current up to 1200A,
- CTR-25 N61 – narrow version, primary current up to 3000A.

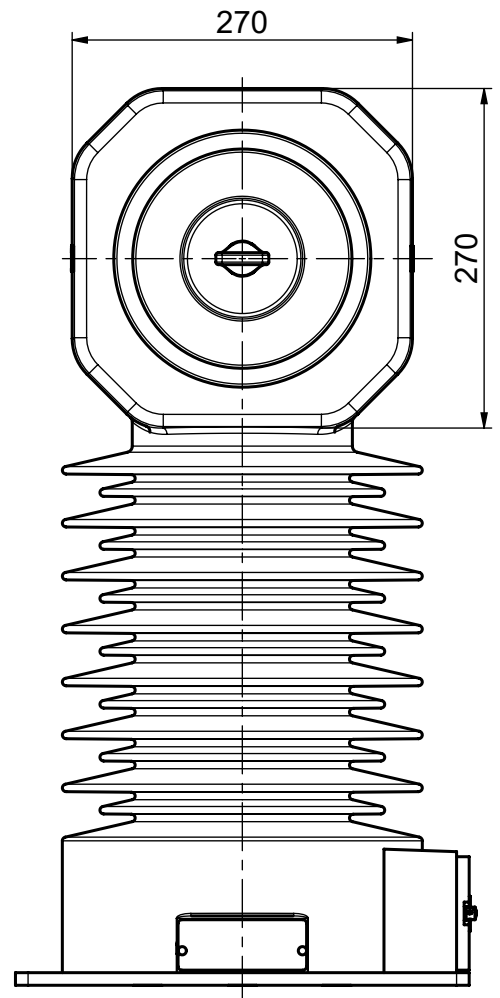
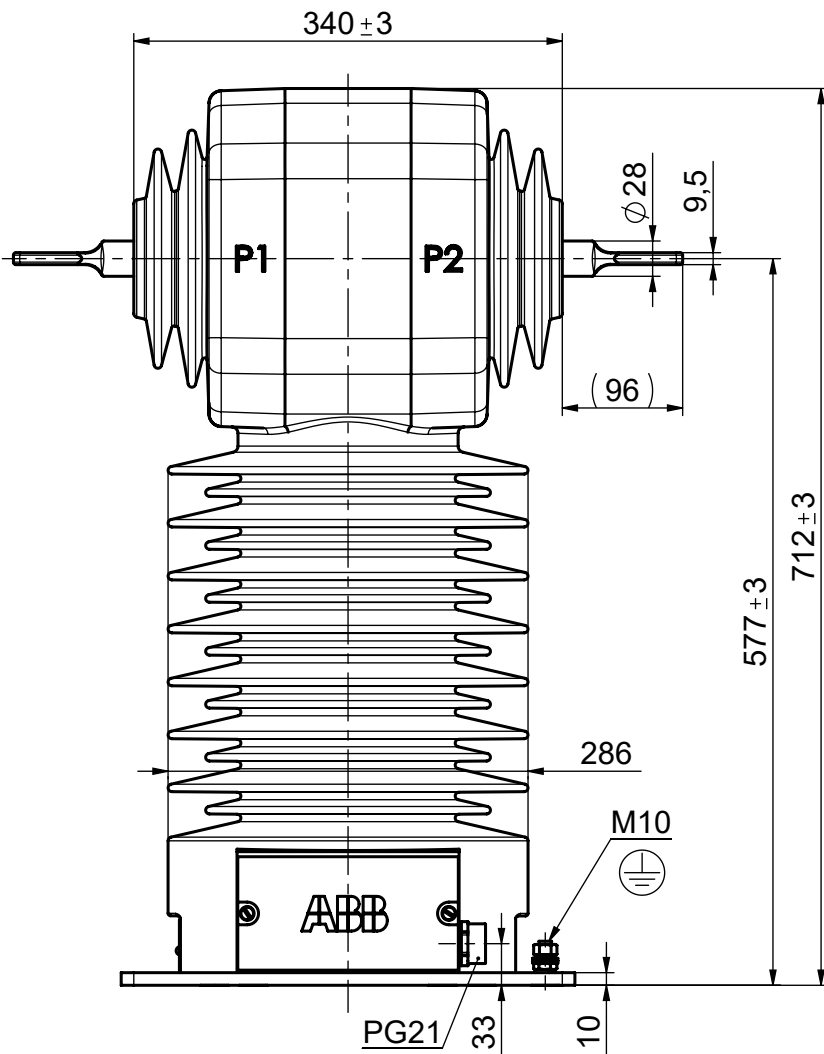
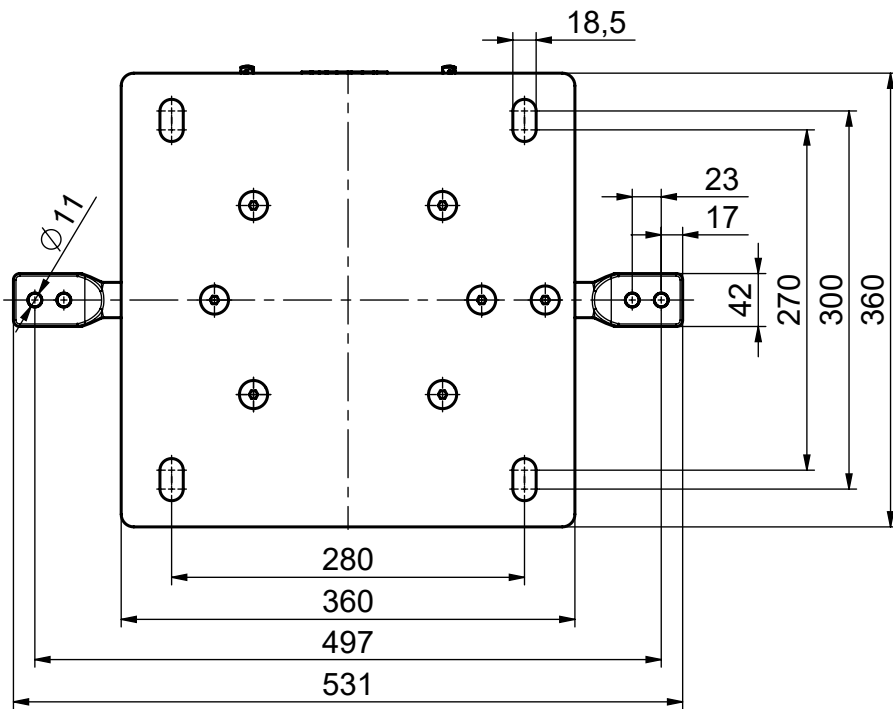
All above versions are non-reconnectable on primary side.

Dimensional drawings

CTR-25 N21

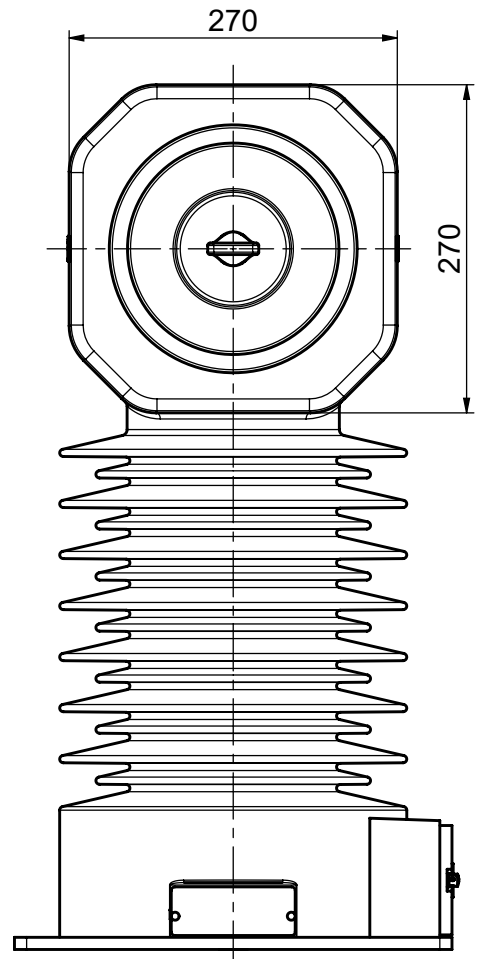
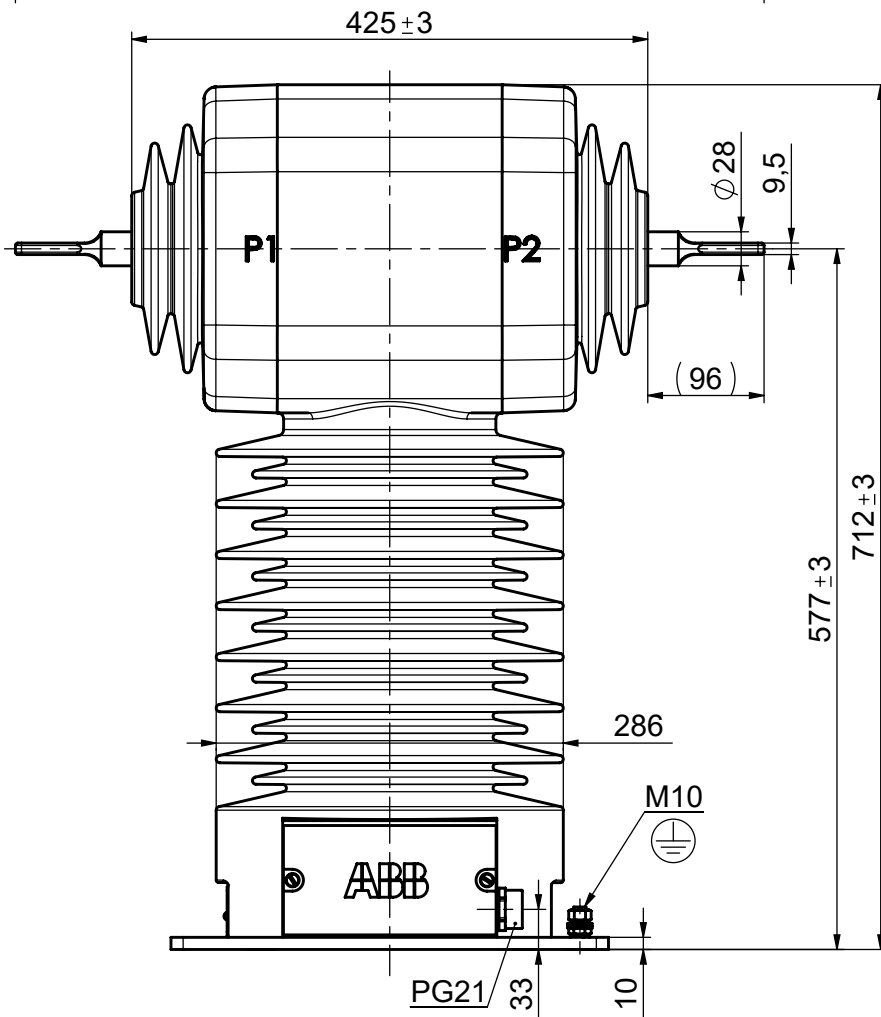
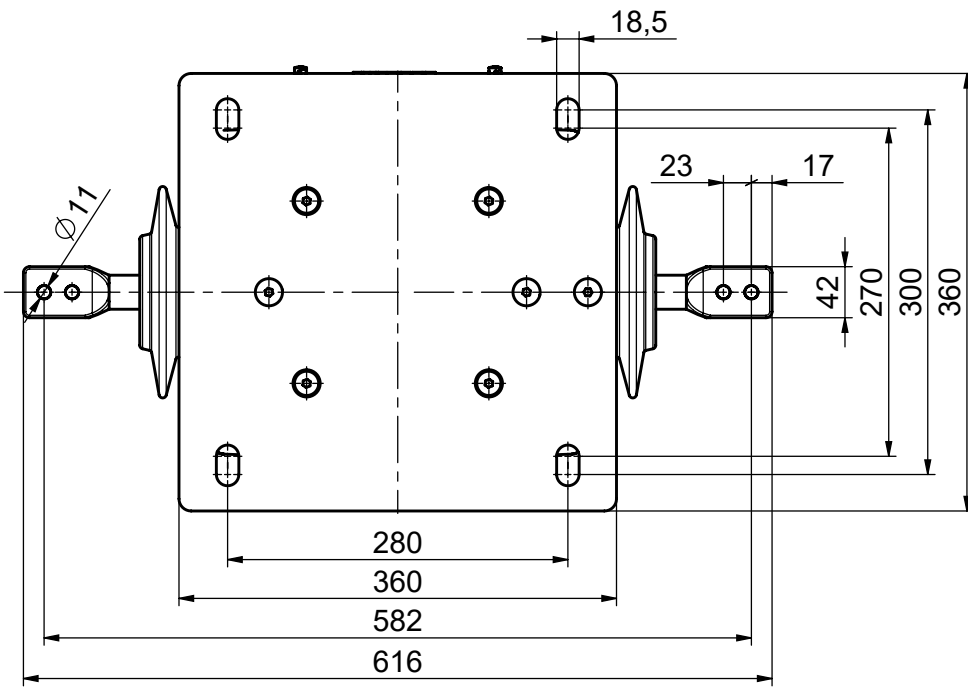
Drawing no. 2RFA016835A0001

Weight: up to 130 kg
Creepage distance: min. 1700 mm



CTR-25 W21
Drawing no. 2RFA016777A0001

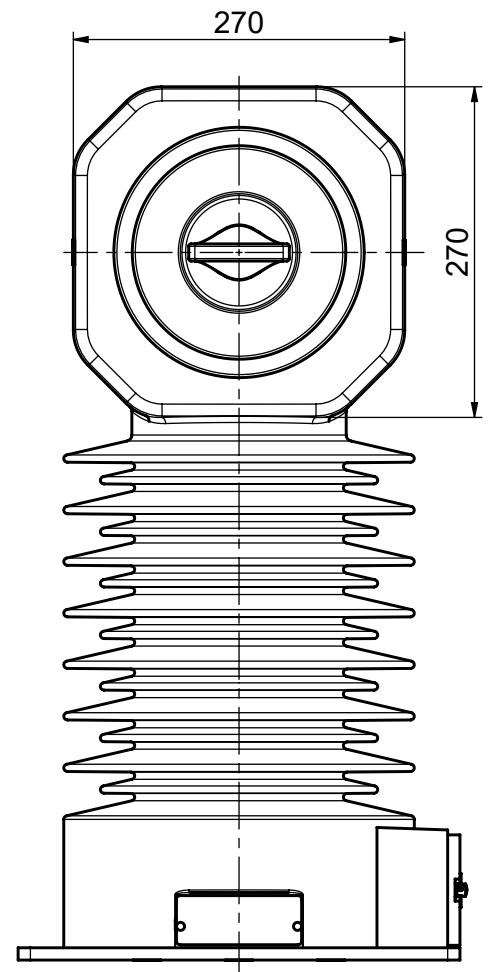
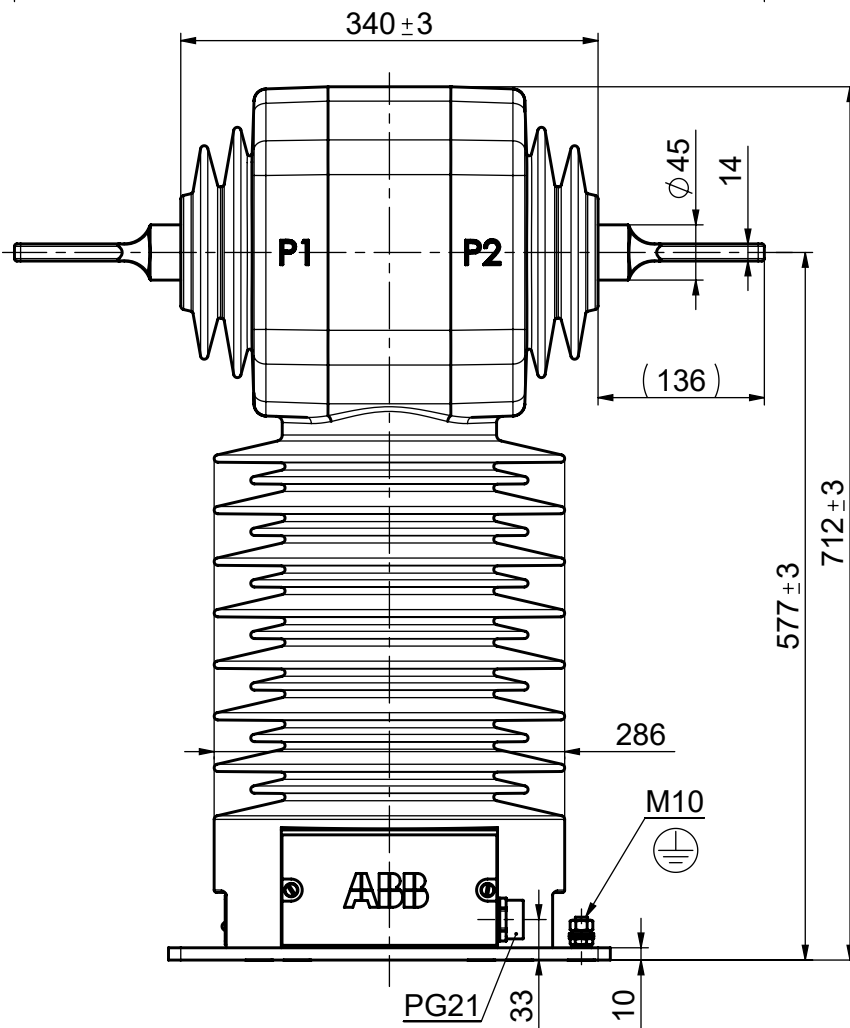
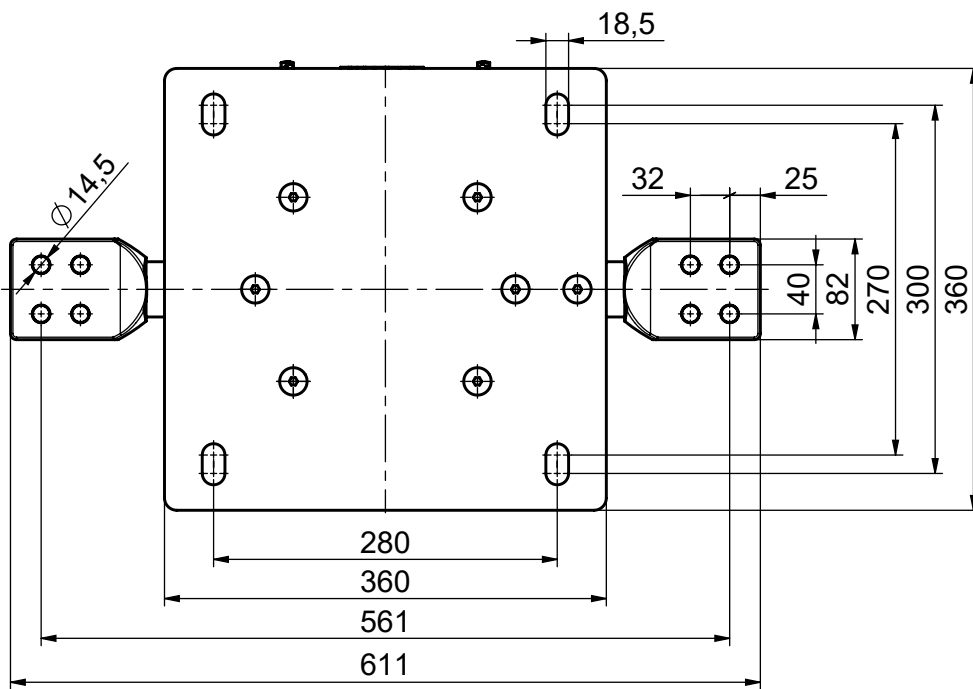
Weight: up to 130 kg
Creepage distance: min. 1700 mm

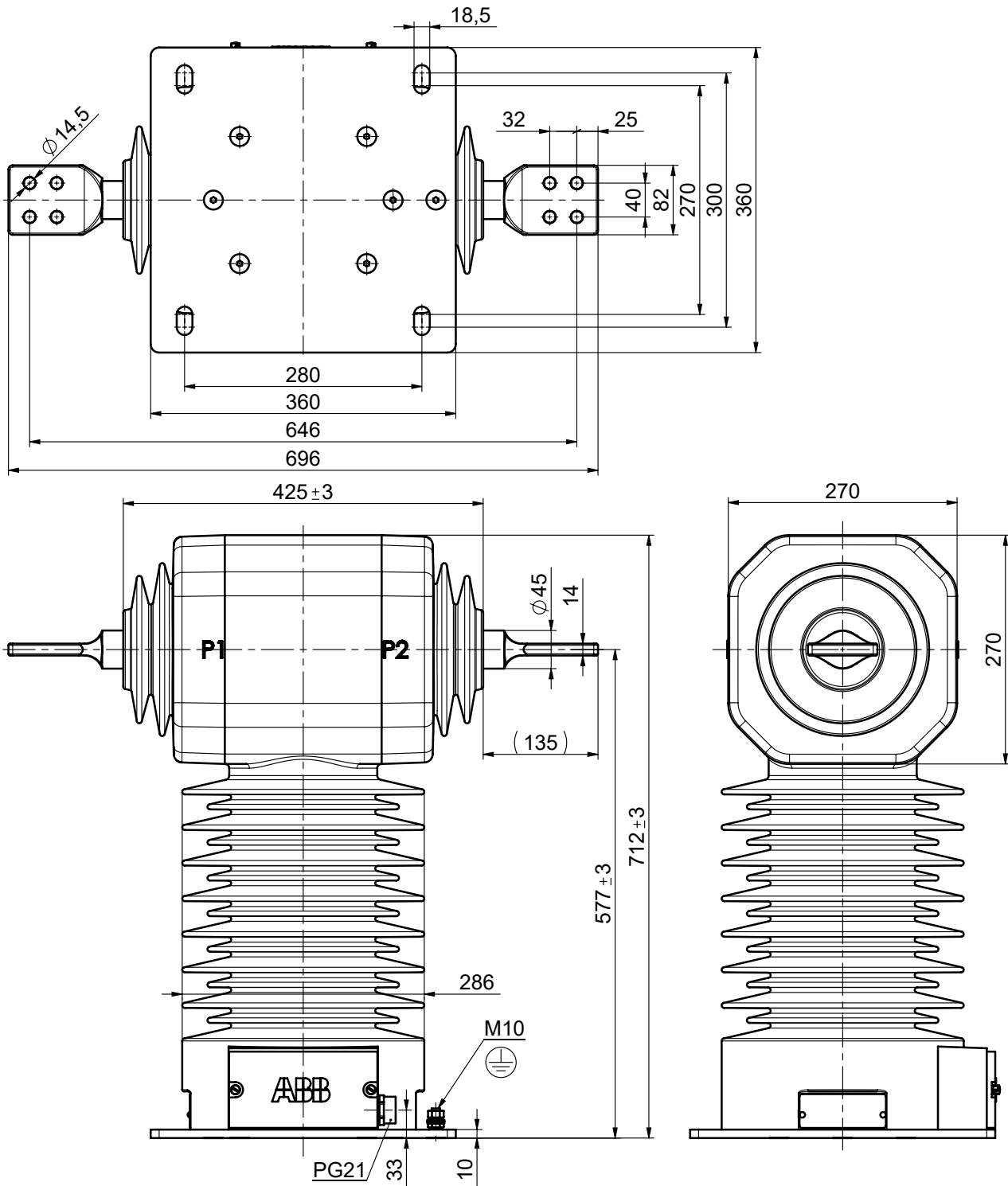


CTR-25 N61

Drawing no. 2RFA016837A0001

Weight: up to 130 kg
Creepage distance: min. 1700 mm





CONTACT US
 ABB s.r.o.
 ELDS Brno
 Videnska 117, 619 00 Brno,
 Czech Republic
 Tel.: +420 547 152 021
 +420 547 152 854
 Fax: +420 547 152 626
 E-mail: kontakt@cz.abb.com

NOTE
 We reserve the right to make technical changes or modify the contents of this document without prior notice. With regard to purchase orders, the agreed particulars shall prevail. ABB does not accept any responsibility whatsoever for potential errors or possible lack of information in this document.

We reserve all rights in this document and in the subject matter and illustrations contained therein. Any reproduction, disclosure to third parties or utilization of its contents - in whole or in parts - is forbidden without prior written consent of ABB.

Copyright© 2022 ABB
 All rights reserved