

XES LED Series

Class I Division 2,
Groups A, B, C and D,
hazardous location exit sign



Key features and benefits

Construction

- Fully gasketed housing frame
- Faceplate: heavy-duty, vandal-resistant polycarbonate
- Backplate: heavy-duty aluminum
- Stainless steel tamper-proof screws
- 6 inch EXIT lettering legend, available in red or green
- Field-selectable chevrons

Mounting

- Surface mount
- Junction box included for wall, end or ceiling mount applications
- 1/2 inch conduit knock-out entry on top and sides.

Electronics

- Magnetic test switch
- Standard Advanced Diagnostics (non-audible)
- 120/277 60Hz

Approvals

- CSA-US (To UL 924 standards)
- Evaluated to the UL 844 Standard for Class I Division 2, Groups A, B, C and D
- NEC, OSHA and NEMA compliant for above Classes and Groups
- Damp and wet location (50°F to 104°F)
- Meets NFPA101 (Life Safety Code), NFPA 70-NEC and OSHA illumination standards

Warranty

- Five-year limited warranty

CLASSIFICATION

CLASS I

Division 2

Groups A, B, C, D

Contact your ABB sales representative
to verify classification

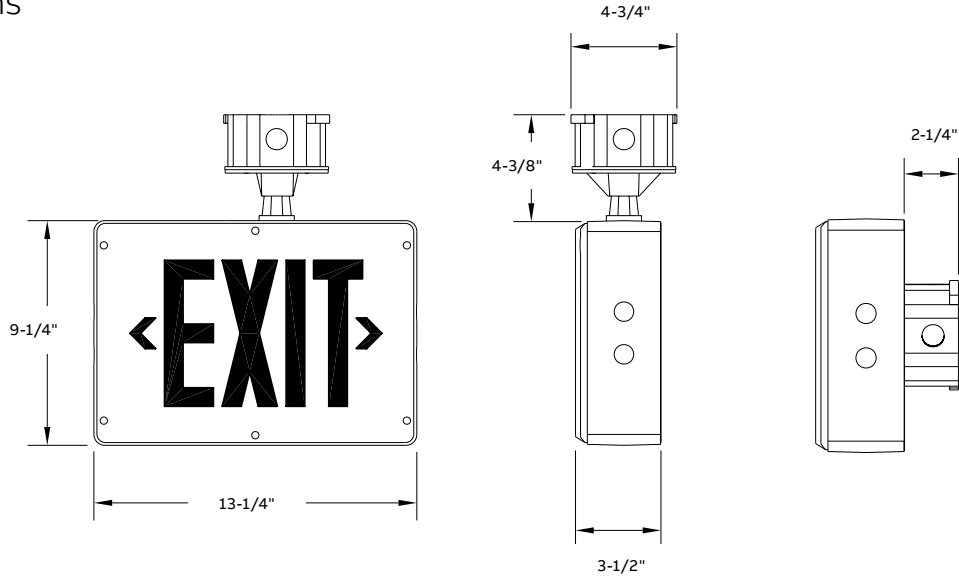
CERTIFICATIONS



FEATURES



Dimensions



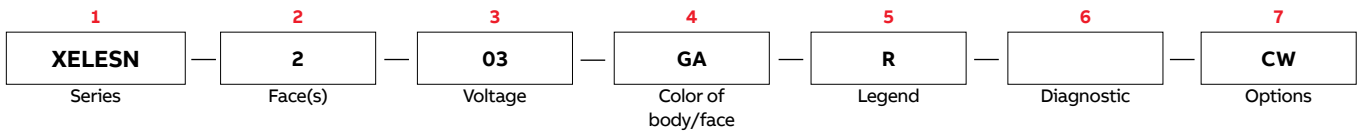
Power consumption¹

Model	AC specs	DC specs
AC-only red	120 to 277VAC	Less than 2W
AC-only green	120 to 277VAC	Less than 1.5W
Self-powered red	120 to 277VAC	Less than 2W
Self-powered green	120 to 277VAC	Less than 2.5W

¹Cold-weather option does not consume additional power

Numbering system

Lighting fixture



Lighting fixture

Part	Part number	Description
1 Series/capacity	XELES	AC/DC (50° to 104°F Amb)
	XELESN	Self-powered (NiCad) (50° to 104°F)
2 Face(s)	1	Single (ceiling/wall mount)
	2	Double (ceiling mount only)
3 Voltage	03	120/277V 60 Hz
4 Color of body/face	GA	Gray ¹
5 Legend	R	Red
	G	Green
6 Diagnostic	Blank	Advanced Diagnostics (non-audible)
7 Options	CW	Cold weather (-4° to 104°F Amb) ²

¹Other colors available

²Available with XELESN only

Accessories (order as a separate item)

Description	Part number
Tamper-proof bit (extra)	690.0454-EX
Convert single to double face, red ¹	DFKR-GY-EX
Convert single face to double face, green ¹	DFKG-GY-EX

¹In the field