

Issue: 07/25/2018
 Date:
 Page: 1 of 2
 File: PSS-M676CY-W2X

35kV	900A Deadbreak Separable "Y" Joint	w/ Test Point	M676CY-W2X
------	------------------------------------	---------------	------------



Features:

- 35kV, 900A Deadbreak rated separable connector
- Design with Compression or Shear bolt connectors
- Fully shielded, fully submersible, 100% peroxide cured EPDM molded rubber and electrolytic Copper
- Reusable components reduce inventory and other costs
- Includes integral capacitive test point

M676CY-W2X Deadbreak Separable "Y" Joint

Applications:

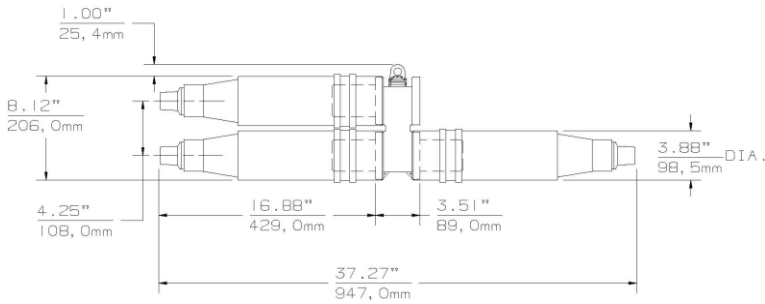
Elastimold® separable cable joints are modular kits: 2-way, 3-way or 4-way insulated bus bars and retractable straight receptacle housings. The M676CY separable "Y" joint is based on the 3-way bus bar. The cables are bolted via compression lug or shear bolt connectors to the bar. The straight receptacle house slides over the connections to form a fully shielded, fully submersible 3-way disconnectable cable joint. The M676CY cable joint is used to join cables in a disconnectable 3-way joint. It is compact size and ideal for small vaults and manholes application. M676CY is modular and ideal where separable components are required to accommodate future system circuit changes or expansions. It can also be used initially as 3-way joint with insulated caps on the unused interfaces. The M676CY can also be used in direct -buried applications.

Ratings:

Meets ANSI/IEEE Standard 386, Latest Revision

35kV Voltage Class
 21.1kV Max Phase-to-Ground – Operating Voltage
 35kV Max Phase-to-Phase
 150kV BIL – Impulse Withstand (1.2 x 50 microsecond wave)
 50kV AC – One minute withstand
 103kV DC – 15 minutes withstand
 26kV AC – Corona Extinction @ 3pC sensitivity
900 Amp – Continuous
 25kA Sym – 10 Cycles Momentary & Fault Close

35kV	900A Deadbreak Separable "Y" Joint	w/ Test Point	M676CY-W2X
-------------	---	----------------------	-------------------



Ordering Instructions:

Step 1 (W)

Determine the insulation diameter of the cable. Select the insulation letter code that best straddles the insulation diameter from W table below. Insert code into catalog number for each cable.

Step 2

Insert conductor material code for each cable.

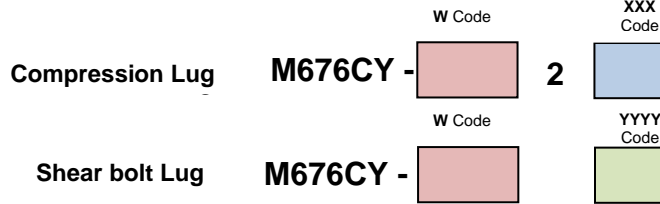
Step 3 (X)

Choose the proper compression lug code according to the conductor size from table 2. Insert code into catalog number.

Note: Catalog numbers with more than 20 characters refer to factory.

Example:

The ordering number for a 900 Amp 4-way separable joint for cable insulation diameter of .88 inches and a 1/0 stranded aluminum conductor is **M676CY-J2240**



Cable Insulation Diameter in inches		Cable Insulation Diameter in mm		Symbol for W
MIN.	MAX.	MIN.	MAX.	
0.640	0.820	16.26	20.83	F
0.760	.950	19.30	24.13	G
0.850	1.050	21.59	26.67	H
0.980	1.180	24.89	29.97	J
1.090	1.310	27.69	33.27	K
1.180	1.465	29.97	37.21	L
1.280	1.430	32.51	36.32	LM
1.370	1.630	34.80	41.40	M
1.550	1.780	39.7	45.21	N
1.725	1.935	43.82	49.15	P

Contents:

1	4-Way Bus Bar	M676CY-BUS
2	Si-Lubricant	82-08
1	Installation Instruction	IS-1075
4	Straight receptacle	M655YSR
4	Compression Lug (If selected)	03702XXX
4	Shear Bolt connector (If selected)	EACT-0300, EACT-0500, EACT-0750, EACT-1250.
4	Cable Adapters	655CA-W
4	Adapter Retaining Rings	650ARR-X
4	Bolts and Washers	675BAW

Cable size AWG or kcmil		Copper Connector Part #	XXX Compression Connector Code	YYYY Shearbolt Connector Code			
Strand./ Compr.	Solid/ Comp.			Code			
-	#2	3702210	210	AC01			
#2	#1	3702220	220				
#1	1/0	3702230	230				
1/0	2/0	3702240	240				
2/0	3/0	3702250	250				
3/0	4/0	3702260	260				
4/0	250	3702270	270				
250	300	3702280	280				
300	350	3702290	290				
350	400	3702300	300			AC02	
400	450/500	3702310	310				
450	550	3702320	320				
500	600	3702330	330				
550	650	3702340	340				
600	700	3702350	350				
650	750	3702360	360				
700/750	800/900	3702380	380				
800	-	3702390	390				
900	1000	3702400	400	AC03			
1000	-	3702410	410				
-	1250	3702420	420				
1250	-	3702440	440				
-	-	-	-			AC04	
-	-	-	-				

Note:

1. Sealing and grounding kit is highly recommended for safety,
2. For products that not requires capacitive test port, use part # **M675CY-W2X**