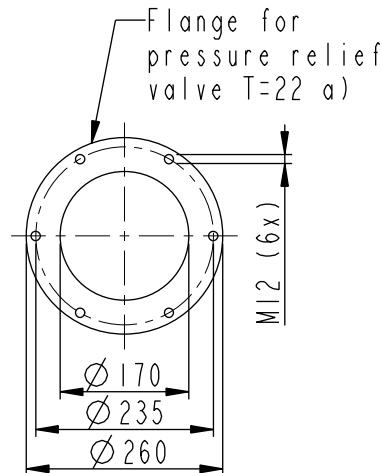
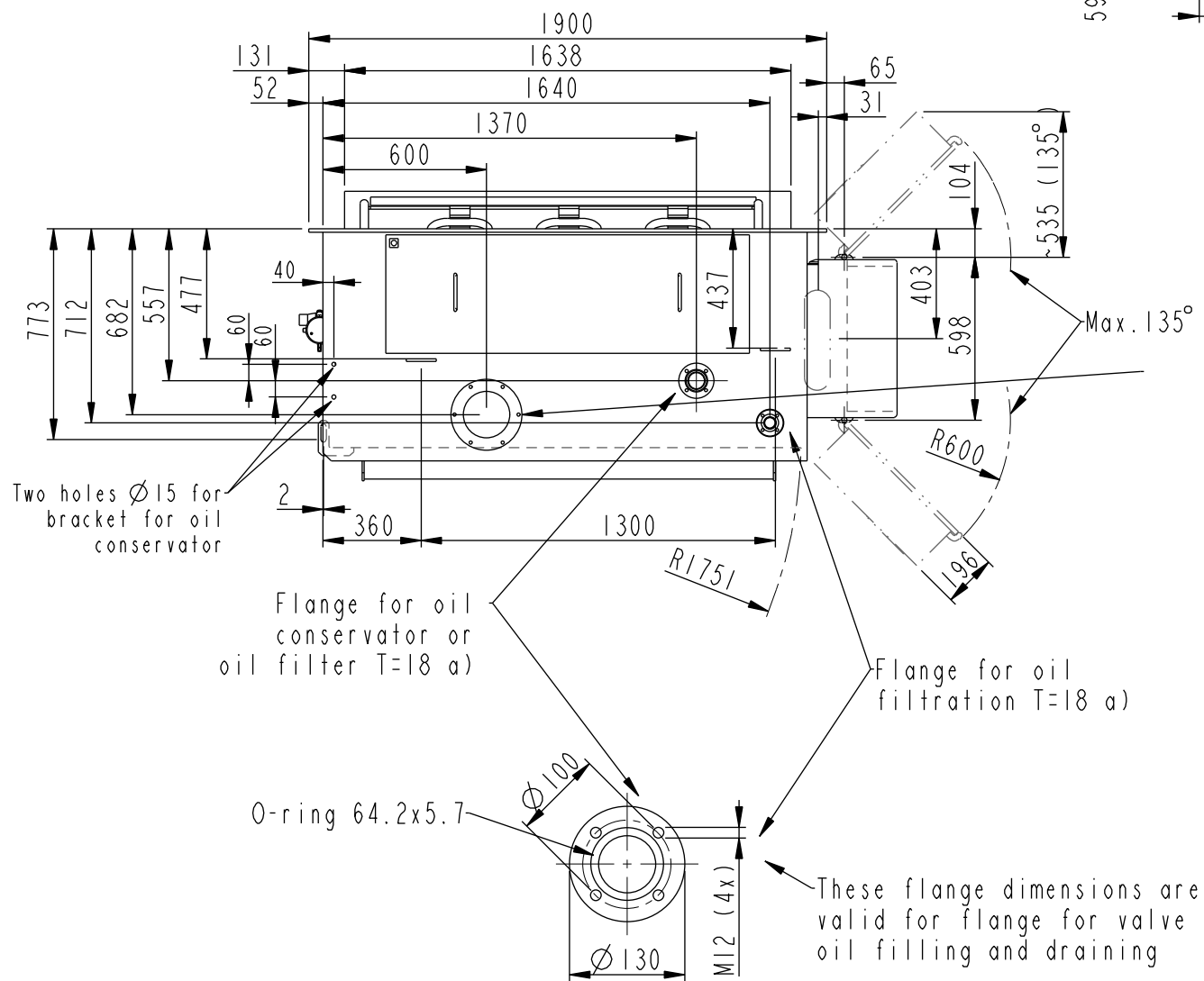
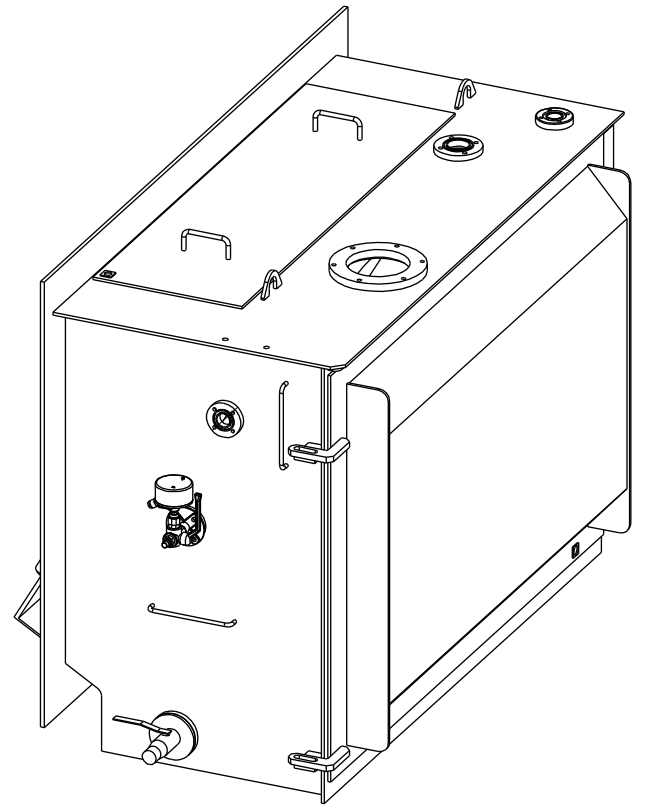
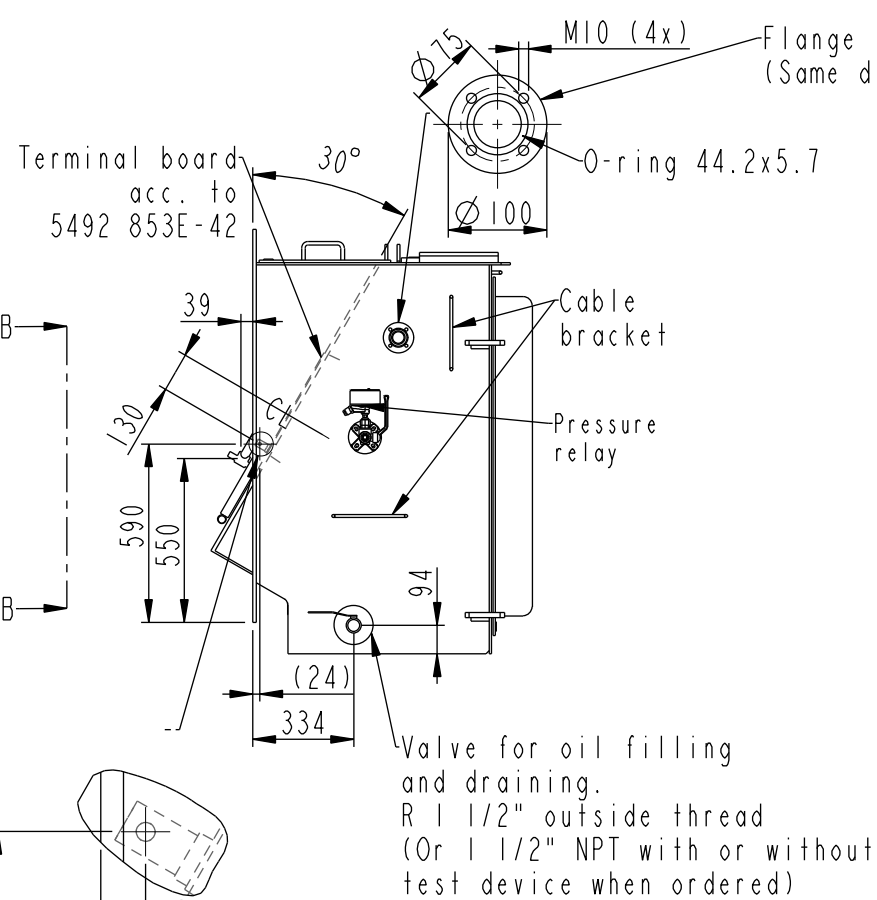
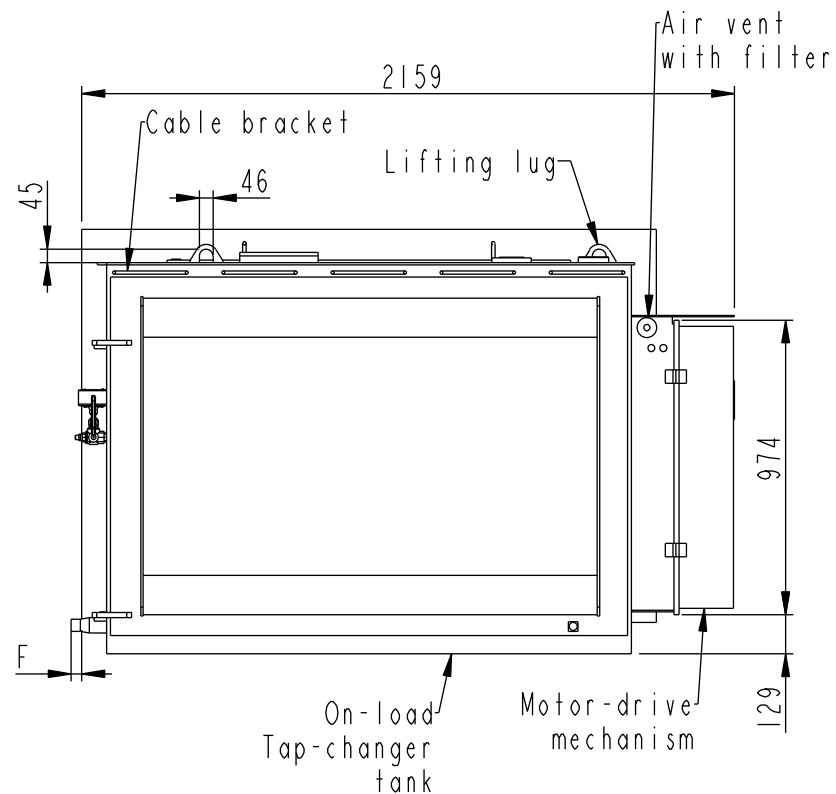


We reserve all rights in this document and in the information contained therein. Reproduction, use or disclosure to third parties without express authority is strictly forbidden. ©ABB

Valve	F
R 1 1/2"	37
1 1/2" NPT	27
1 1/2" NPT with test device	72

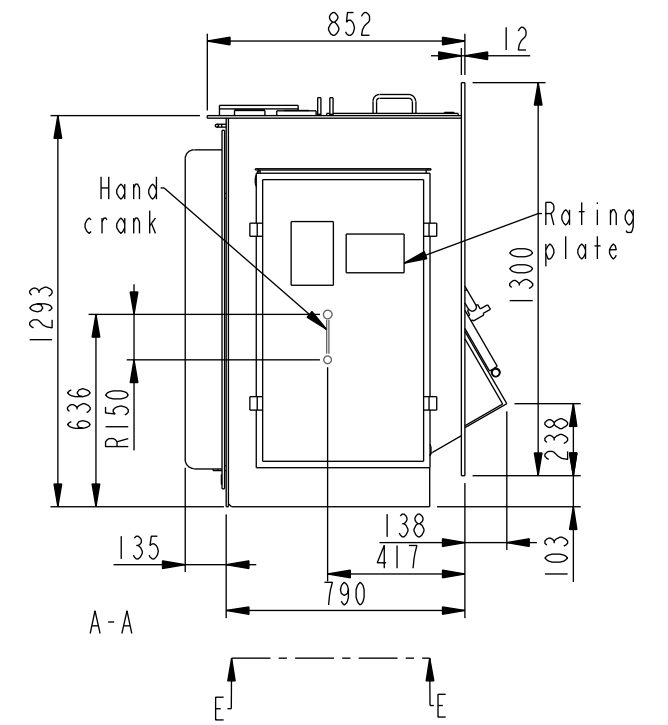
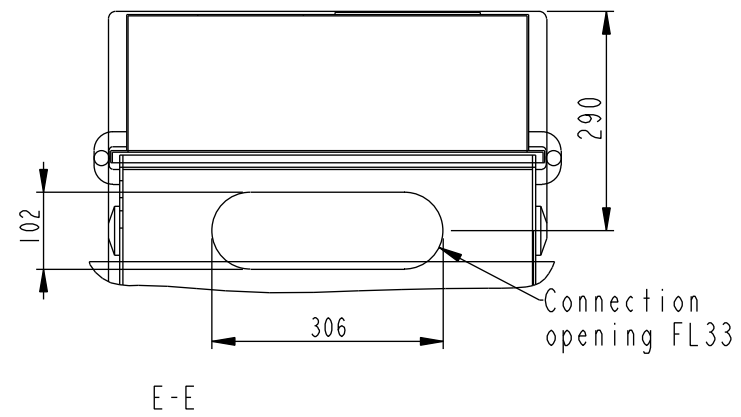
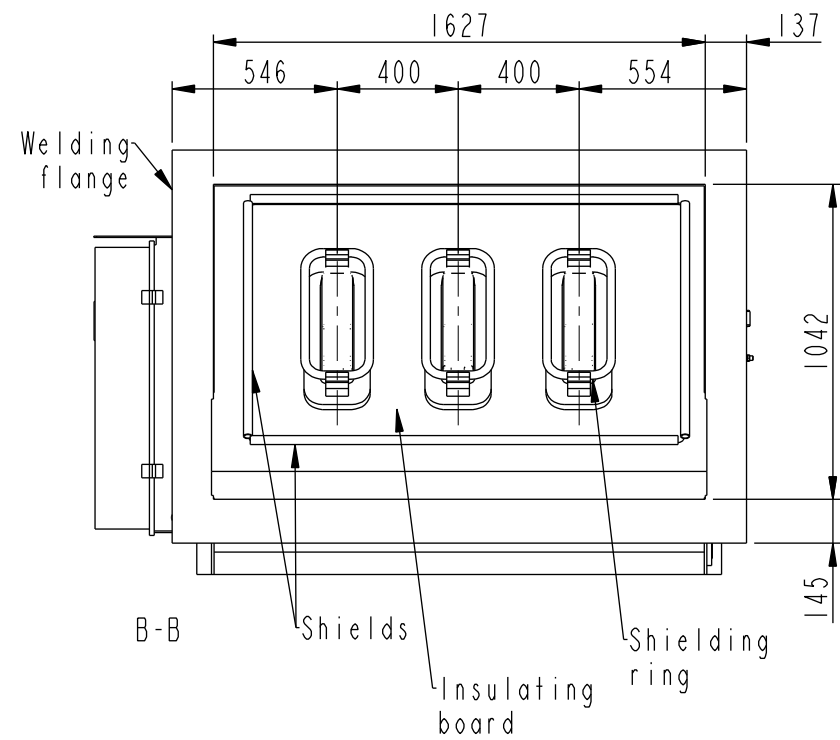


a) All flanges without accessories delivered with cover plates

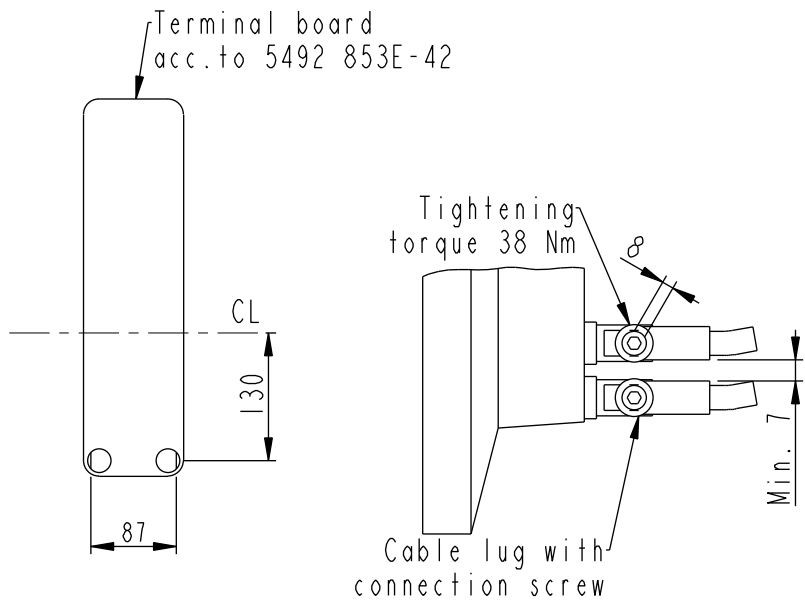
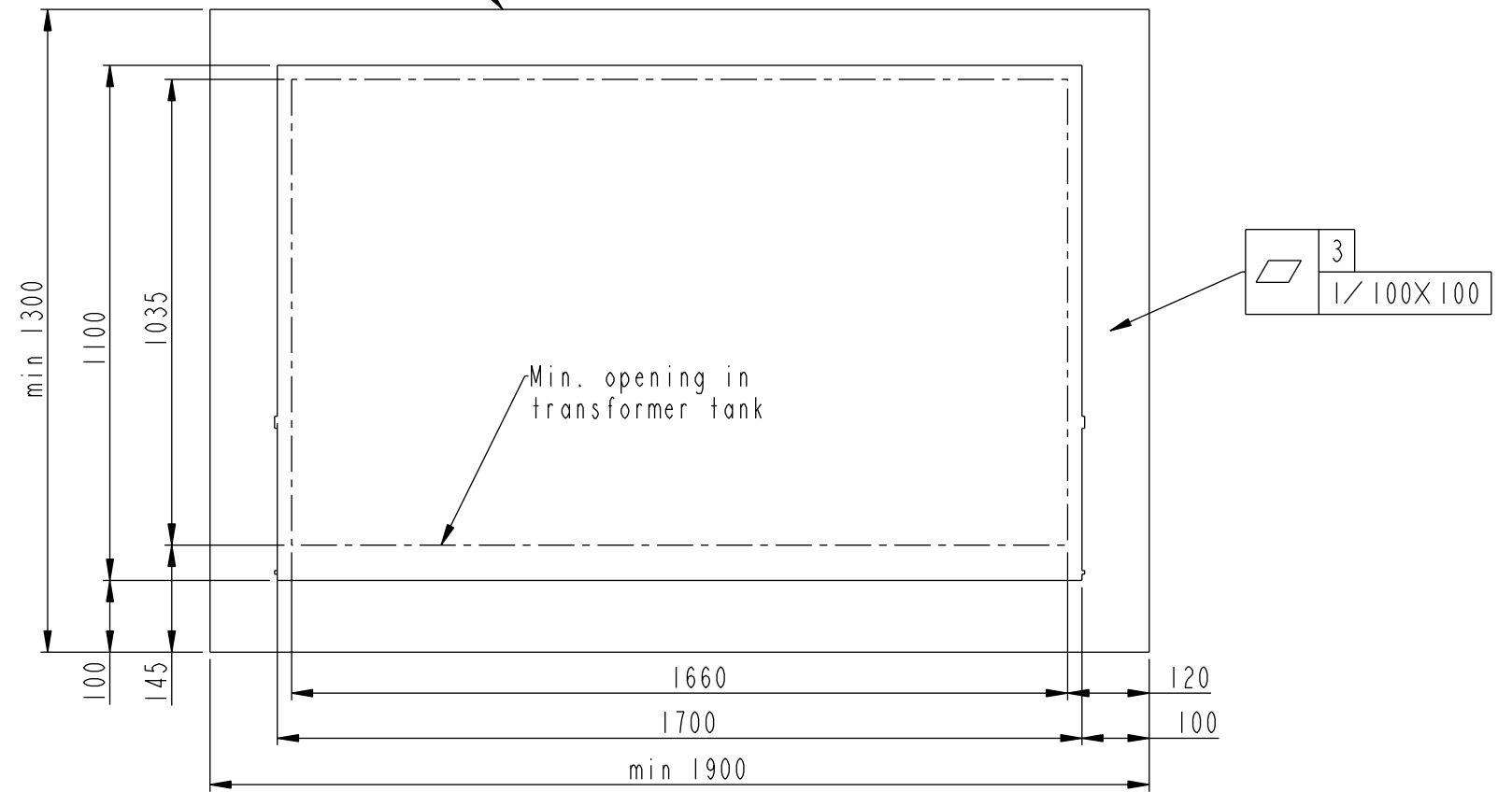
Mass: 1100 kg without oil  
 Required oil: 1050 kg (1200 litres)  
 Total mass: 2150 kg

Based on	Reg. No.	Title	
Prepared T Sapila 96-10-11	Responsible department COM/TK	TAP-CHANGER UZF	Language en
Approved M Eriksson	Take over department	UZF.T 550KV AND 650KV	
Revision Rev.3 06-10-11	Database DIMENSION_DWGS	Standard tank. Welding flange	Page 1(2)
<b>ABB Components</b>		Document No.	54920090-14

We reserve all rights in this document and in the information contained therein. Reproduction, use or disclosure to third parties without express authority is strictly forbidden. ©ABB



Flange and opening in transformer tank



**ADDITIONAL DRAWINGS:**  
 Connection Diagrams: See Technical Guide UZ  
 Accessories: 54920090-9  
 Pressure Relay: 54920083-2  
 Oil Conservator: 54920090-12

Based on	Reg. No.	Title	
Prepared T Sapila 96-10-11	Responsible department COM/TK	TAP-CHANGER UZF	
Approved M Eriksson	Take over department	UZF.T 550KV AND 650KV	Language 82
Revision Rev.3 06-10-11	Database DIMENSION_DWGS		Page 2(2)
<b>ABB</b> ABB Components		Document No.	54920090-14