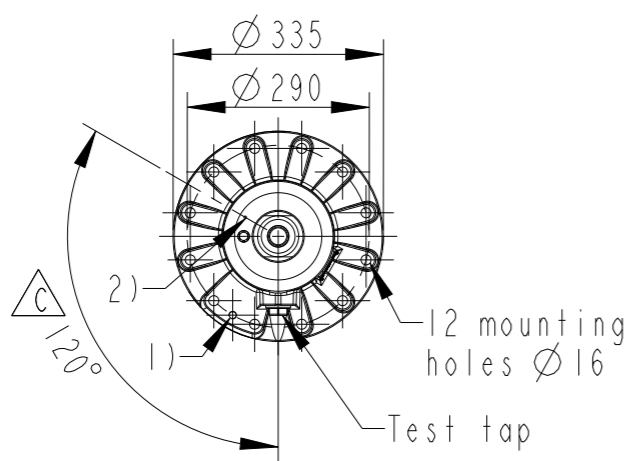
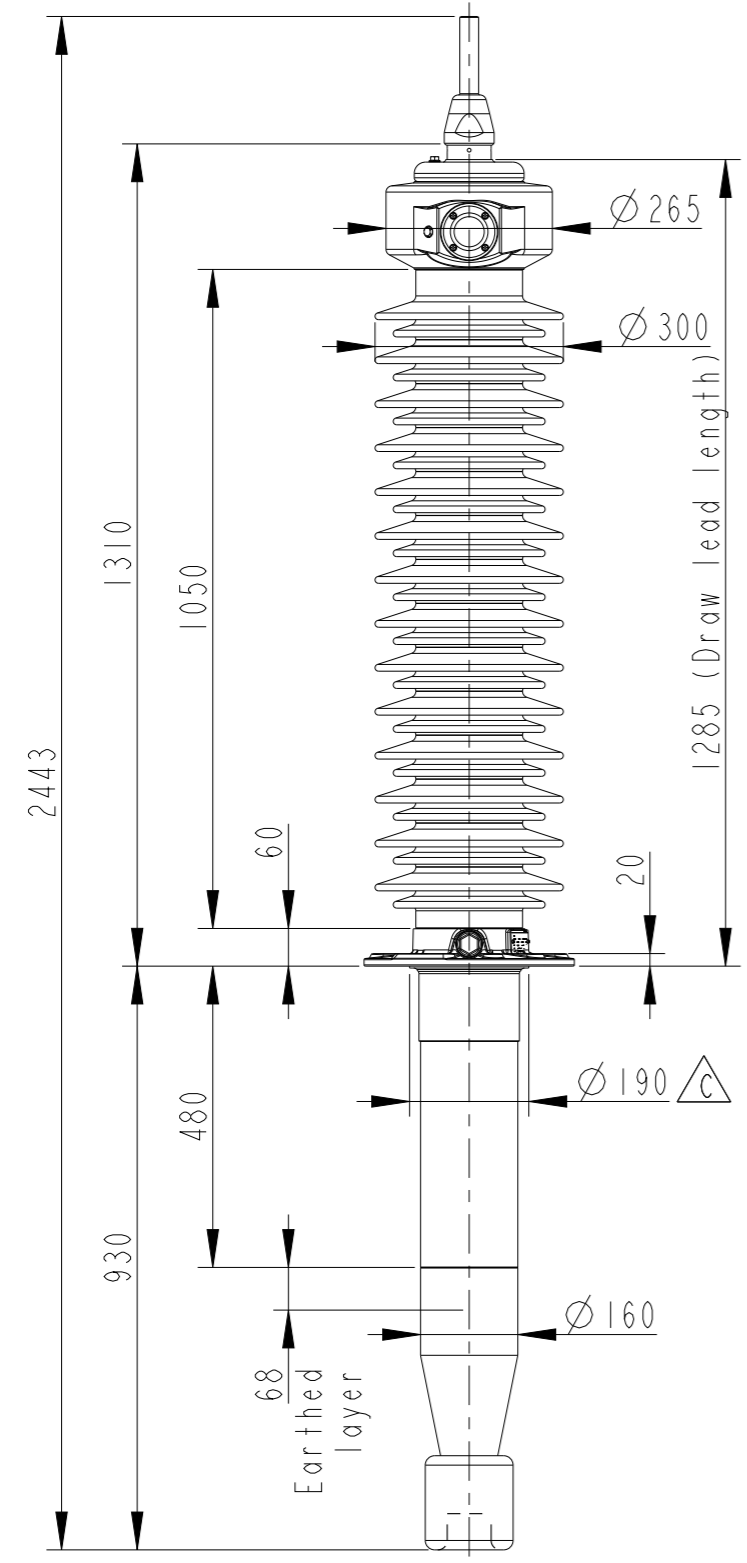
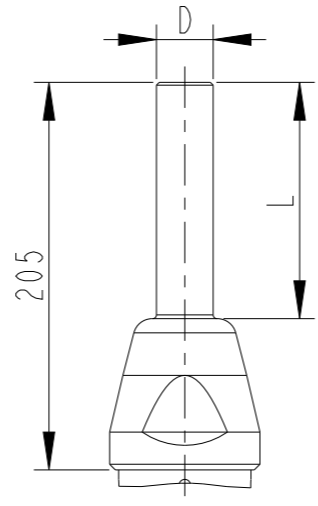


This document is issued by means of a computerized system. The digitally stored original is electronically approved. The approved document has a date entered in the "Approved"-field. A manual signature is not required.

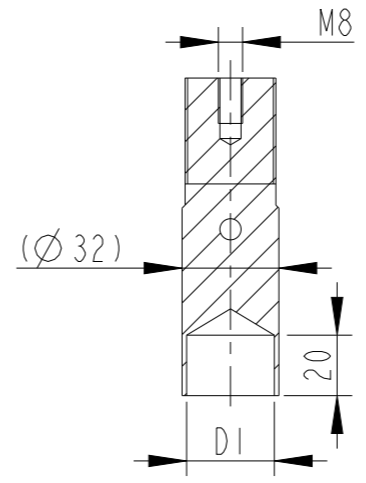
We reserve all rights in this document and in the information contained therein. Reproduction, use or disclosure to third parties without express authority is strictly forbidden.



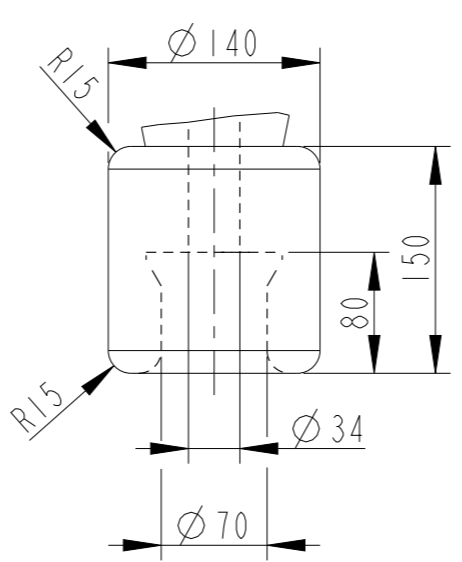
OUTER TERMINAL



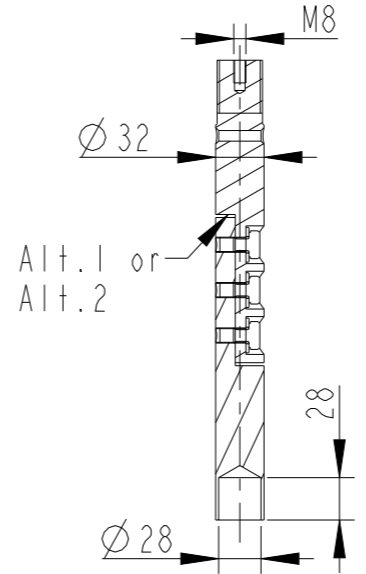
INNER TERMINAL FOR STRANDED CABLE



END SHIELD



SOLID ROD CONNECTOR



The solid rod can be divided either:
 Alt.1: 20mm below the bushing flange or
 Alt.2: 20mm below the upper end of the bottom porcelain

- 1) M12 (For Earthing)
- 2) Ø4 Oil connection hole (only valid for horizontal mounting)

Revision	Revision text
C	Bushing -HM & -HN added. Note, Bushing Data and Dimension updated.

Bushing Data:

Rated Voltage	170	kV
Phase-to-earth Voltage	98	kV
Dry Lightning Impulse 1,2/50µs	550	kV
Wet power frequency AC	230	kV
Routine test 1 min dry 50Hz	260	kV
Rated Current	1250	A
Creepage Distance	3430±100	mm
Creepage Distance Protected	1350	mm
Mass	△C 121	kg

Ordering Data:

BUSHING		COLOUR AIR INSULATOR	
LF123144-M		BROWN	
LF123144-N		LIGHT GREY	
△C LF123144-HM		BROWN	Horizontal 45°-90°
△C LF123144-HN		LIGHT GREY	Horizontal 45°-90°
OUTER TERMINAL		Material	D L
LF 170 002-B		Cu alloy,	Ø30 125
LF 170 001-B		Al,	Ø30 125
OTHER TYPES ON REQUEST			
INNER TERMINAL FOR STRANDED CABLE			
For brazing		Conductor area	D1
LF 170 011-T		up to 285mm²	Ø29
LF 170 011-V		Undrilled with pilot hole	Ø5
SOLID ROD CONNECTOR		Material	
LF 170 052 -AV	for Alt.1	Cu	
LF 170 052 -AY	for Alt.2	Cu	

Ludvika, Sweden				
No.				
Um	kV Ir	A	50/60 Hz	
BIL	kV SIL	kV AC	kV	
M	kg L	mm	✓	
C1	pF Tan δ		x	
C2	pF Tan δ		x	

Approved 2022-07-26	Document Kind Dimension Drawing	Based on doc.id	Work order id	Project id
Company Hitachi Energy Sweden AB	Title, Supplementary title GOB 550-1250-0.5			
Responsible Department SEABB-9AAE300824	With oil level gauge. Long end shield.			
ABB	Document id 2751369-216	Status Approved	Revision C	Iteration 3
				Sheet 1/1