

ABB INDUSTRIAL CONTROL TRANSFORMER
 ABB Inc. 305 Gregson Dr. Cary, NC 27511

50VA
PRIMARY:
 575

SECONDARY:
 115

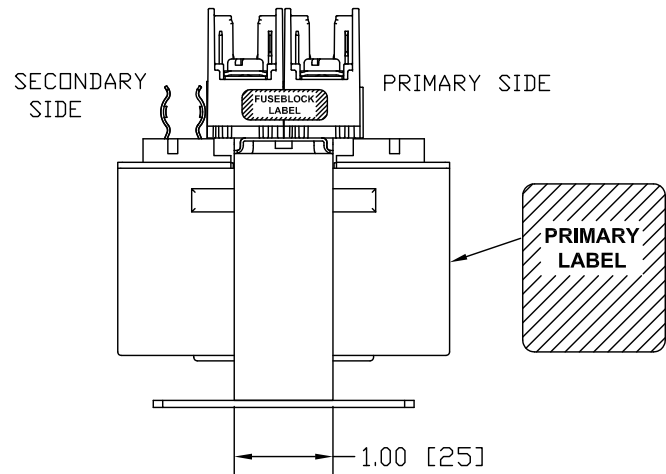
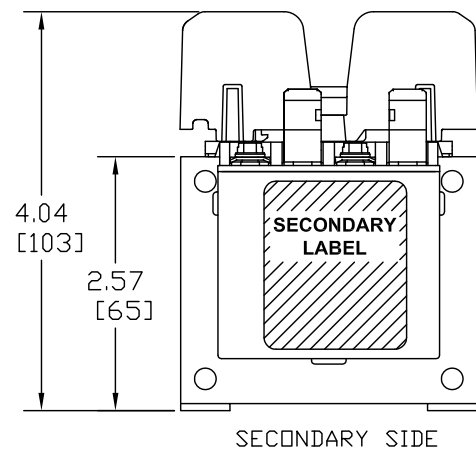
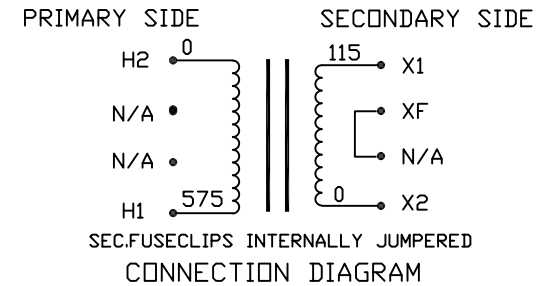
FREQUENCY:
 50/60Hz

QTY. 1

UL US MADE IN USA

CAT. **T6050PS1**

Transformer Specifications	
PRIMARY VOLTAGE(S)	575 (TRIPLE RATED)
SECONDARY VOLTAGE(S)	115
RATED V.A.	50
RATED FREQUENCY	50/60
INSULATION CLASS	105
AGENCY APPROVALS	UL, CUL
ESTIMATED WEIGHT	2.4 LBS



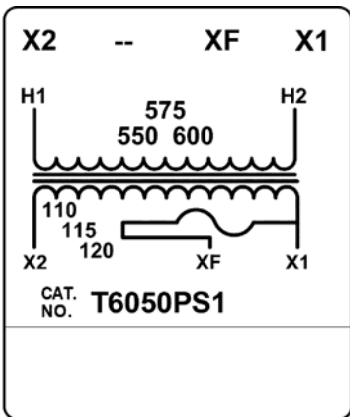
- NOTES:
1. ALL MEASUREMENTS IN INCHES (MM)
 2. TERMINAL SCREWS ARE COMBO #8-32 PHIL-SLOT-1/4" HEX WITH SEMS WASHER.
 3. 2 POLE, CLASS "CC" PRIMARY FUSE BLOCK, ACCOMMODATES TWO 13/32" X 1-1/2" CLASS "CC" FUSES.
 4. SECONDARY FUSE CLIP ACCOMMODATES ONE 13/32" X 1-1/2" MIDGET FUSE.

H2 -- -- H1

ABB INDUSTRIAL CONTROL TRANSFORMER
 TORQUE TERMINALS TO 16 IN.-LBS.

UL LISTED 50VA
 702X 50/60Hz
 E2739 TEMP CL. 105°C

CAT. NO. **T6050PS1**



H1F H2F

PACKAGED ACCESSORIES			
1			
-	-		
ABB			
DATE	3/4/19	DRAWN	J.A.W
CHECKED		APPROVED	
RELEASE DATE			
1TQY200060X0007			
B	UPDATE LABELS	AN006697	JW 7/21/21
A	I3 CONSTRUCTION	AN006328	JW 3/04/19
ECL	REVISIONS	BY	DATE
SIZE	C	SCALE	NONE
T6050PS1			