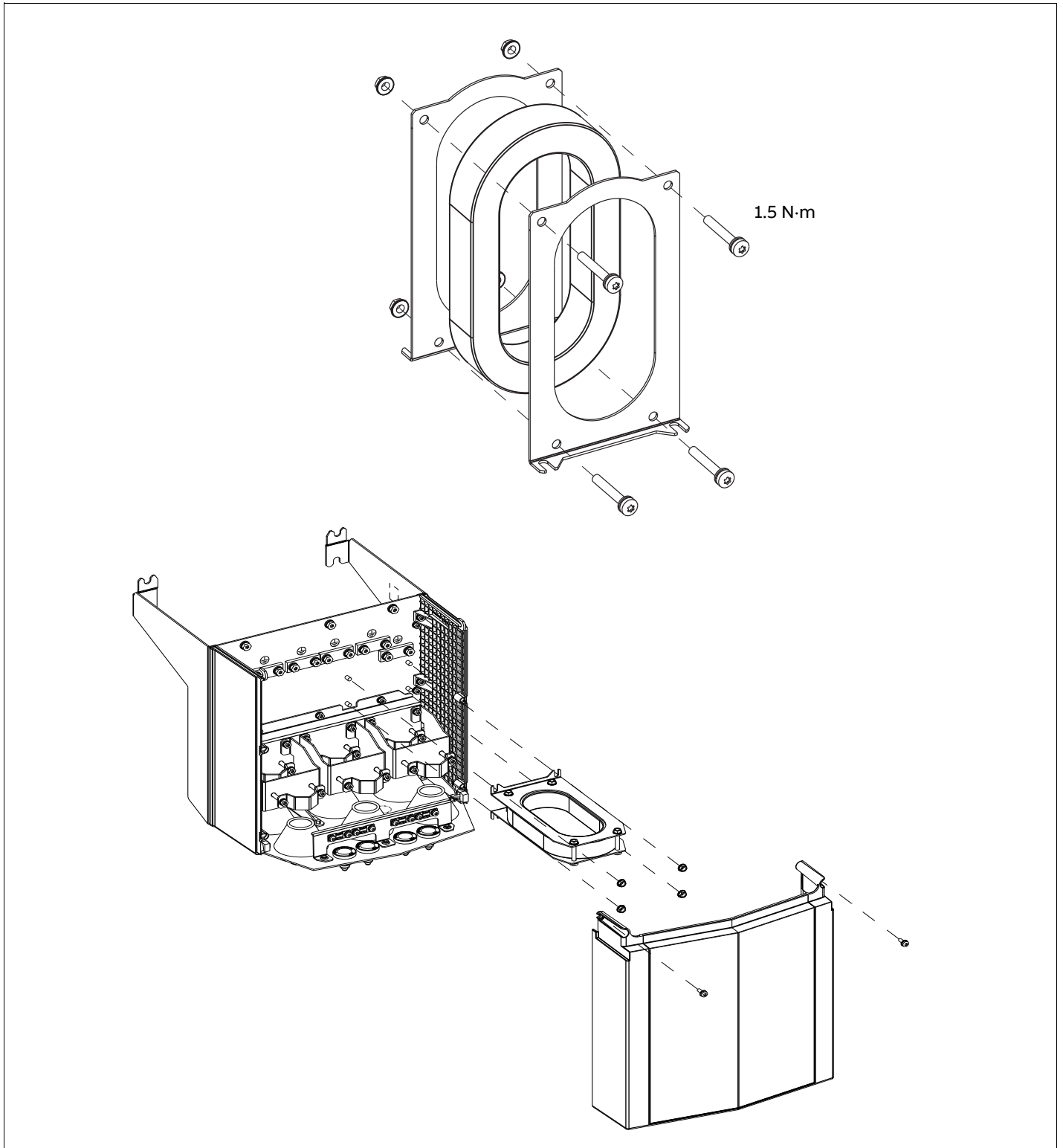



ABB INDUSTRIAL DRIVES

Common mode filter kit for ACS880-01 drives (frame R8, option +E208)

Installation instructions



Make sure that the grounding conductor is longer than the phase conductors.

T1/U, T2/V, T3/W		
T (Wire screw)		T
M...	N·m	N·m
M10	40	9.8

