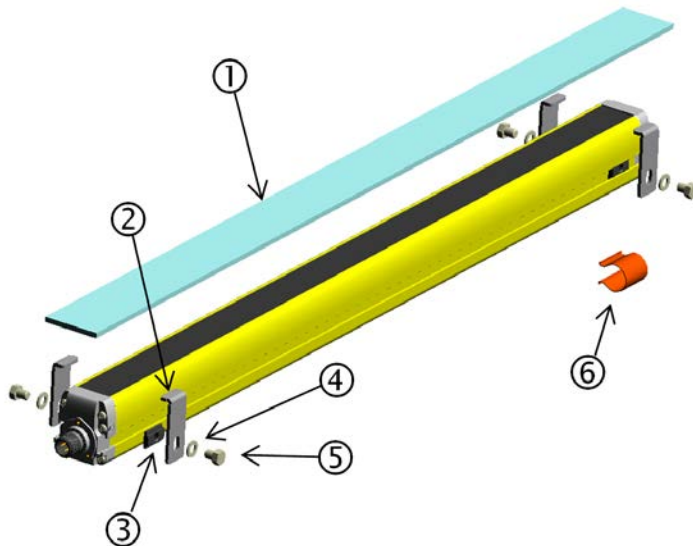


Original instructions

# Lens Shield for Orion1 Base and Orion 2 Orion Shield-xxx and Orion Shield-Kxxx

## Mounting instructions



- ① Transparent PMMA plate (5 pieces)
- ② Fixing bracket \*
- ③ M5 nut\*
- ④ UNI 6592 Di=5.3 washer \*
- ⑤ TE M5x6 UNI 5739 screws\*
- ⑥ Elastic blocking spring \*

\* ② ③ ④ ⑤ parts:

4 pieces for:

- Orion Shield from 150 to 1050
- Orion Shield-K050
- Orion Shield-K080
- Orion Shield-K090

6 pieces for:

- Orion Shield from 1200 to 1800
- Orion Shield-K120

## Fixing instructions

Build the subassembly, shown in Figure 1 and Figure 2, by screwing screw ⑤ to nut ③ but not completely in order to leave some space for parts ② and ③ (see Figure 2).



Figure 1



Figure 2

Slide the subassemblies in the groove of the Orion AOPD as shown in Figure 3, until the positions represented on Figure 4 for example. See the following page for the recommended fixing positions.

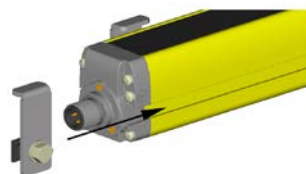


Figure 3



Figure 4

Insert the transparent plate and slide it along the track under the fixing brackets. Once positioned correctly, tighten the screws with an 8 key, pressing the fixing bracket on the plate, until all the fixing brackets are blocked safely. In case of replacement, untighten the screws ⑤ without removing them, slide the plate to take it out and replace it.



Figure 5

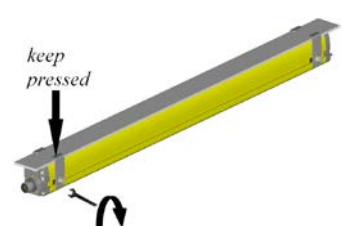
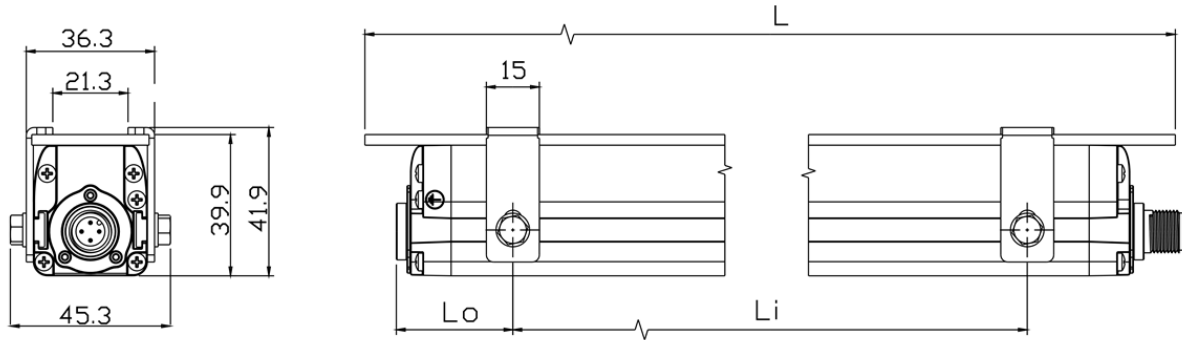


Figure 6

NB: The maximum operating distance of the AOPD is reduced by 10% for each couple of "Lens Shield" used (one for transmitter and one for receiver).

## Dimensions



NB: All dimensions in millimetres.

Model	L [mm]	Li [mm]	Lo [mm]	Article number
Orion Shield-015	245	160	30	2TLA022313R5000
Orion Shield-030	392	345	45	2TLA022313R5100
Orion Shield-045	540	400	60	2TLA022313R5200
Orion Shield-060	686	520	75	2TLA022313R5300
Orion Shield-075	832	590	115	2TLA022313R5400
Orion Shield-090	980	640	175	2TLA022313R5500
Orion Shield-105	1126	740	200	2TLA022313R5600
Orion Shield-120	1274	445	200	2TLA022313R5700
Orion Shield-135	1422	520	200	2TLA022313R5800
Orion Shield-150	1568	595	200	2TLA022313R5900
Orion Shield-165	1715	670	200	2TLA022313R6000
Orion Shield-180	1860	745	200	2TLA022313R6100
Orion Shield-K050	642	490	75	2TLA022313R8000
Orion Shield-K080	942	640	175	2TLA022313R8100
Orion Shield-K090	1042	660	200	2TLA022313R8200
Orion Shield-K120	1342	480	200	2TLA022313R8300

While every effort has been taken to ensure the accuracy of information contained in this book and any associated promotional and information material ABB Jokab Safety cannot accept responsibility for errors or omissions and reserves the right to make any improvements without notice. It is the user's responsibility to ensure that this equipment is correctly designed, specified, installed, cared for and operated to meet all applicable local, national and international codes/regulations. Technical data in our book is correct to the level of accuracy of ABB Jokab Safety's test procedures as verified by various international approved bodies. Other information (such as application examples, wiring diagrams, operation or use) is intended solely to illustrate the various uses of our products. ABB Jokab Safety does not guarantee or imply that the product when used in accordance with such examples in a particular environment will fulfil any particular safety requirement and does not assume any responsibility or liability for actual use of the product based on the examples given.