

14

13

12

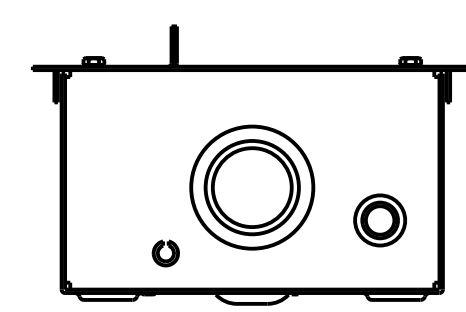
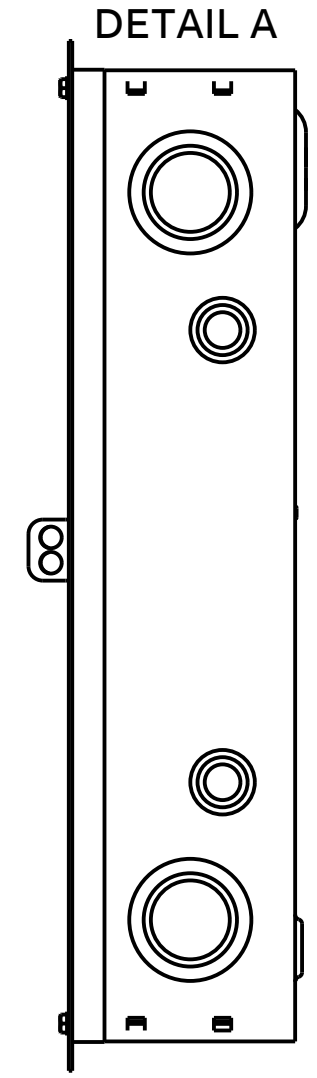
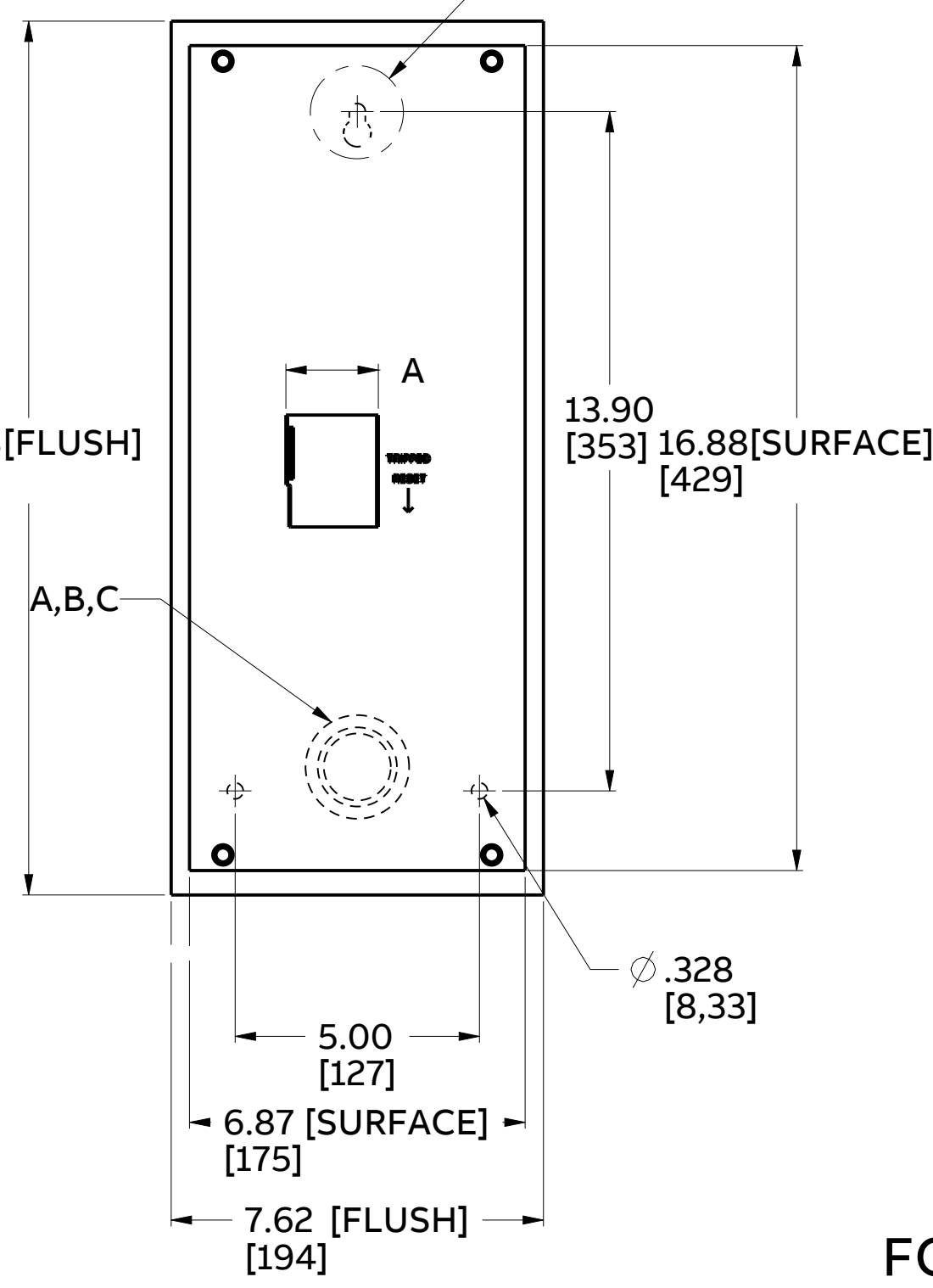
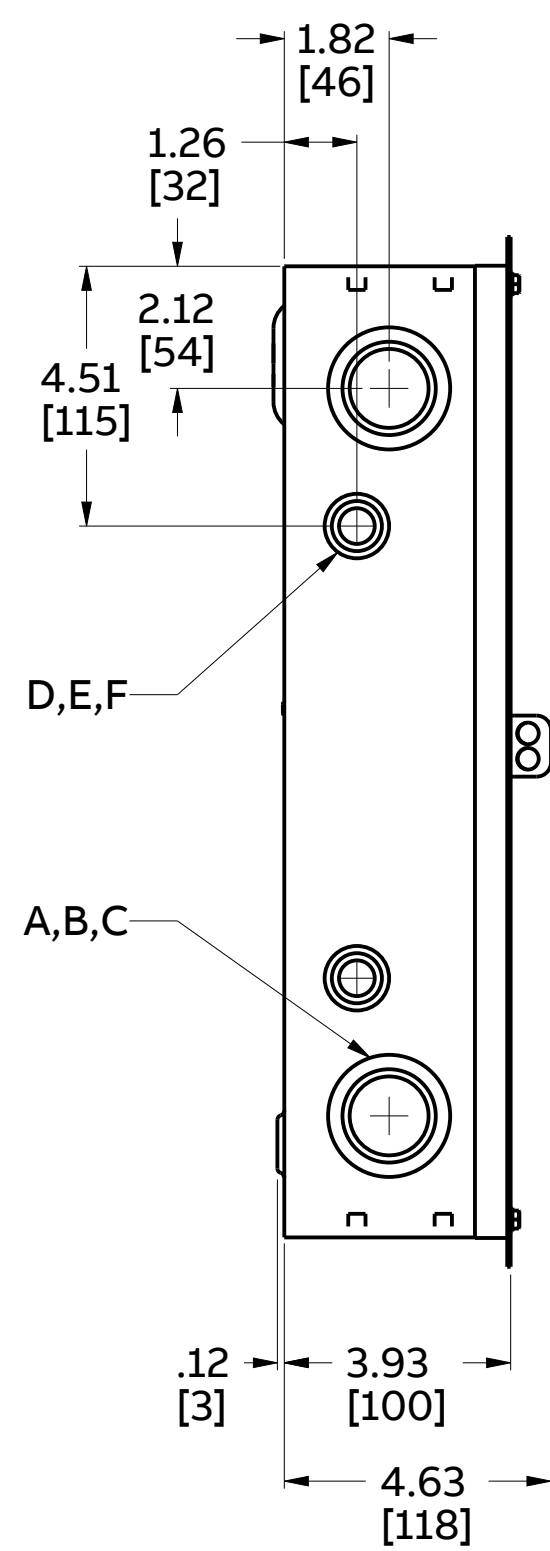
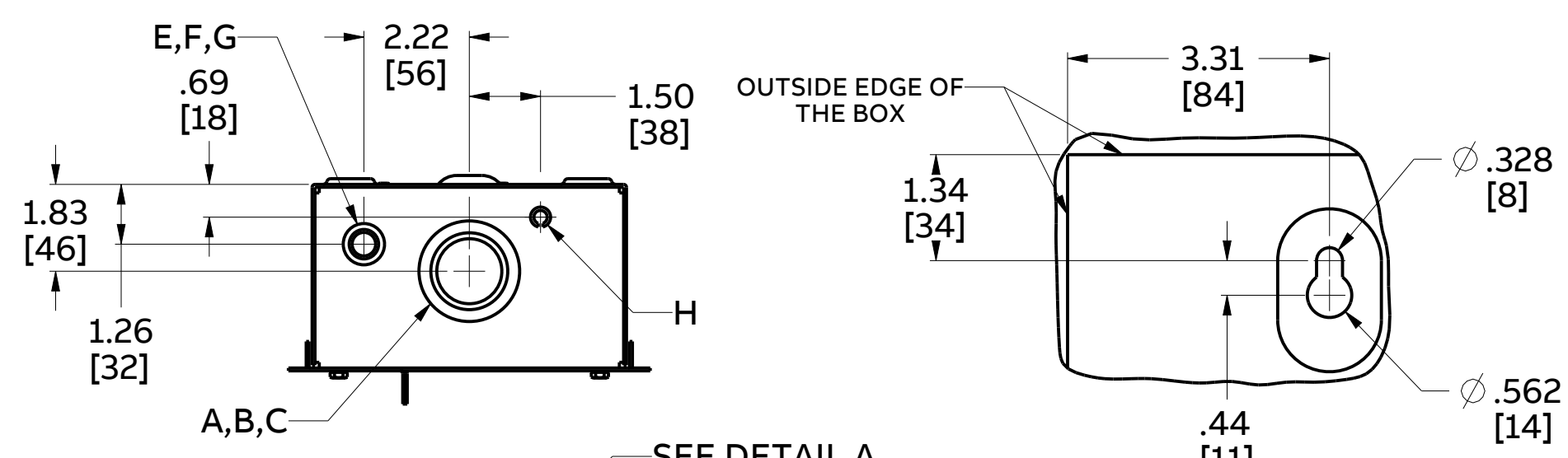
11

CIRCUIT BREAKER TERMINAL LUG DATA			
CIRCUIT BREAKER CAT NO. PREFIX	AMPERE RATING	LUG TYPE	WIRE SIZE (AWG/KCMIL)
THQL, THHQL, THQL, THQL-GF, TQLY100	15-60A	INCLUDED	(1)#14-6 CU (1)#12-2 AL
	70-100A	INCLUDED	(1)#4-1/0 CU-AL
	110-125A	INCLUDED	(1)#2-2/0 CU-AL

FIELD INSTALLABLE NEUTRAL ASSEMBLY AND GROUND KIT			
CAT NO. PREFIX	TYPE	AMPERE RATING	WIRE SIZE (AWG/KCMIL)
TGL1	GND KIT	70-125A	(4) #14-8 CU (4) #12-8 AL (3) #14-4 CU (3) #6-4 AL
INCLUDED	NEUTRAL ASM	15-125A	(1) #14-2/0 CU (1) #12-2/0 AL

CAT NO.	A
TQL100F&S	2.93
TQL125F&S	1.86

SYMBOLS	KNOCKOUTS			
	CONDUIT SIZE		DIAMETER	
	IN	MM	IN	MM
A	2	51	2 1/2	64
B	1 1/2	38	2	51
C	1 1/4	32	1 3/4	45
D	1	25	1 3/8	35
E	3/4	19	1 1/8	29
F	1/2	13	7/8	22
G	3/8	9	3/8	9
H	9/32	7	9/32	7



FOR USE WITH 15-125A ABB TYPE  
THQL, THHQL, THQL-GF  
TXQL & TQLY100 DEVICES

DUAL DIMENSIONS INCHES  
[MILLIMETERS]

- NOTES:
1. MATERIAL: LOW CARBON STEEL
  2. FINISH: ELECTROCOAT ENAMEL, GRAY
  3. AGENCY APPROVAL: cULus LISTED -FILE E11592
  4. SUITABLE FOR USE AS SERVICE EQUIPMENT WHEN NEUTRAL ASSEMBLY IS INSTALLED
  5. THE SHORT CIRCUIT RATING OF THIS ENCLOSED CIRCUIT BREAKER IS EQUAL TO THE INTERRUPTING RATING, AT THE SUPPLY VOLTAGE MARKED ON THE CIRCUIT BREAKER INSTALLED
  6. CONSULT BUYLOG FOR ALTERNATIVE LUGS

**ABB**

OUTLINE DRAWING - NEMA TYPE 1 ENCLOSURE  
TQL100F, TQL100S, TQL125F & TQL125S

THIRD ANGLE	SHEET#	DWG NO.	DATE	REV
	1 of 1	139C5651SH2	29-Mar-23	D

14

13

12

11