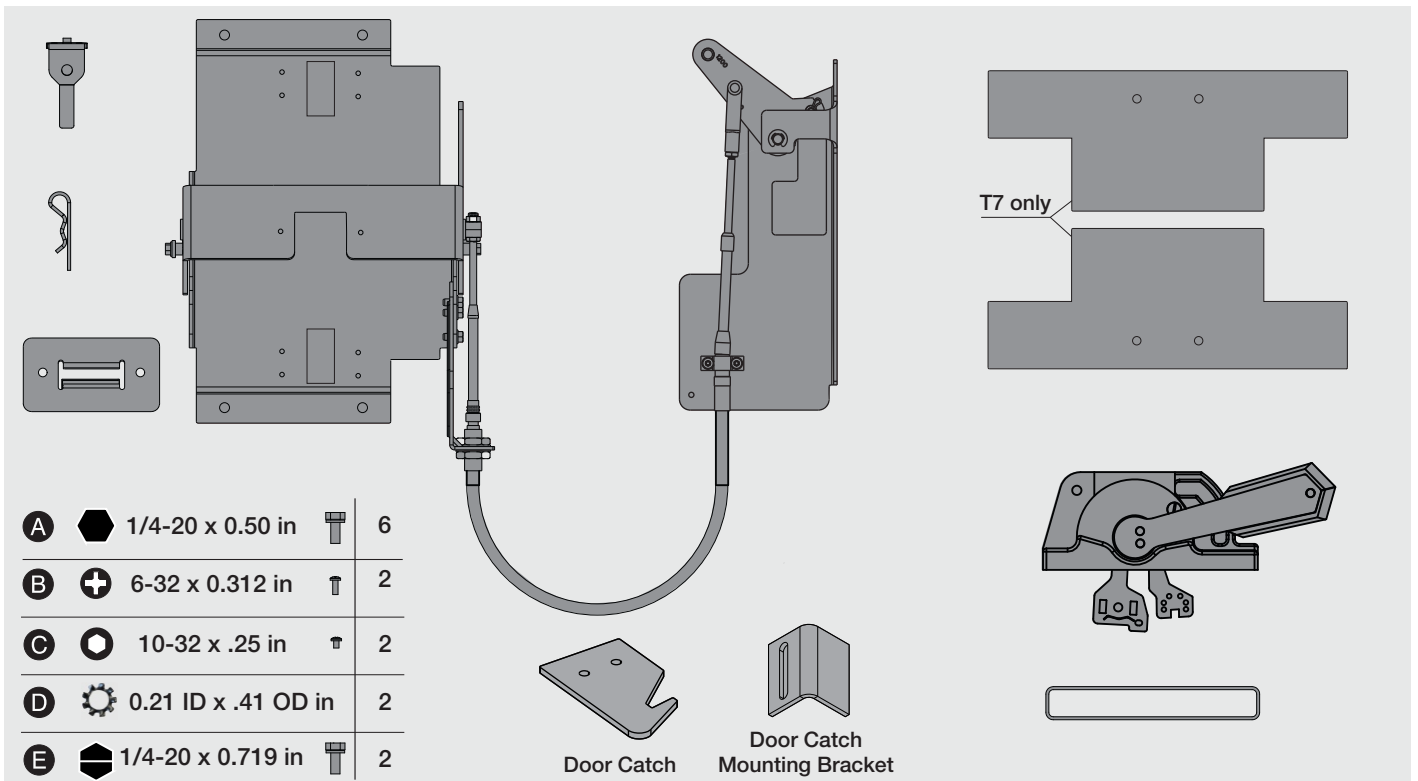
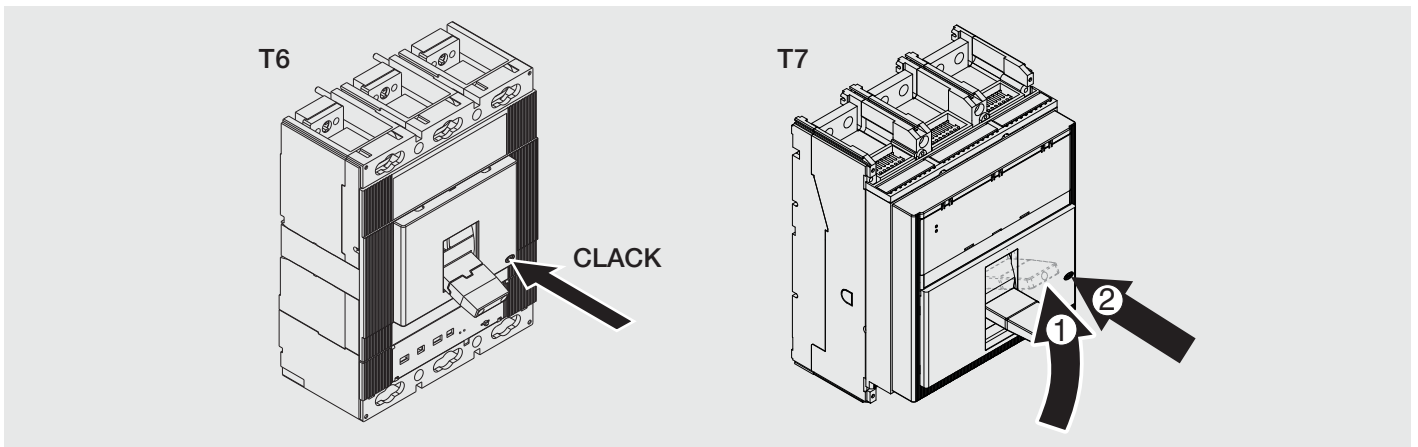


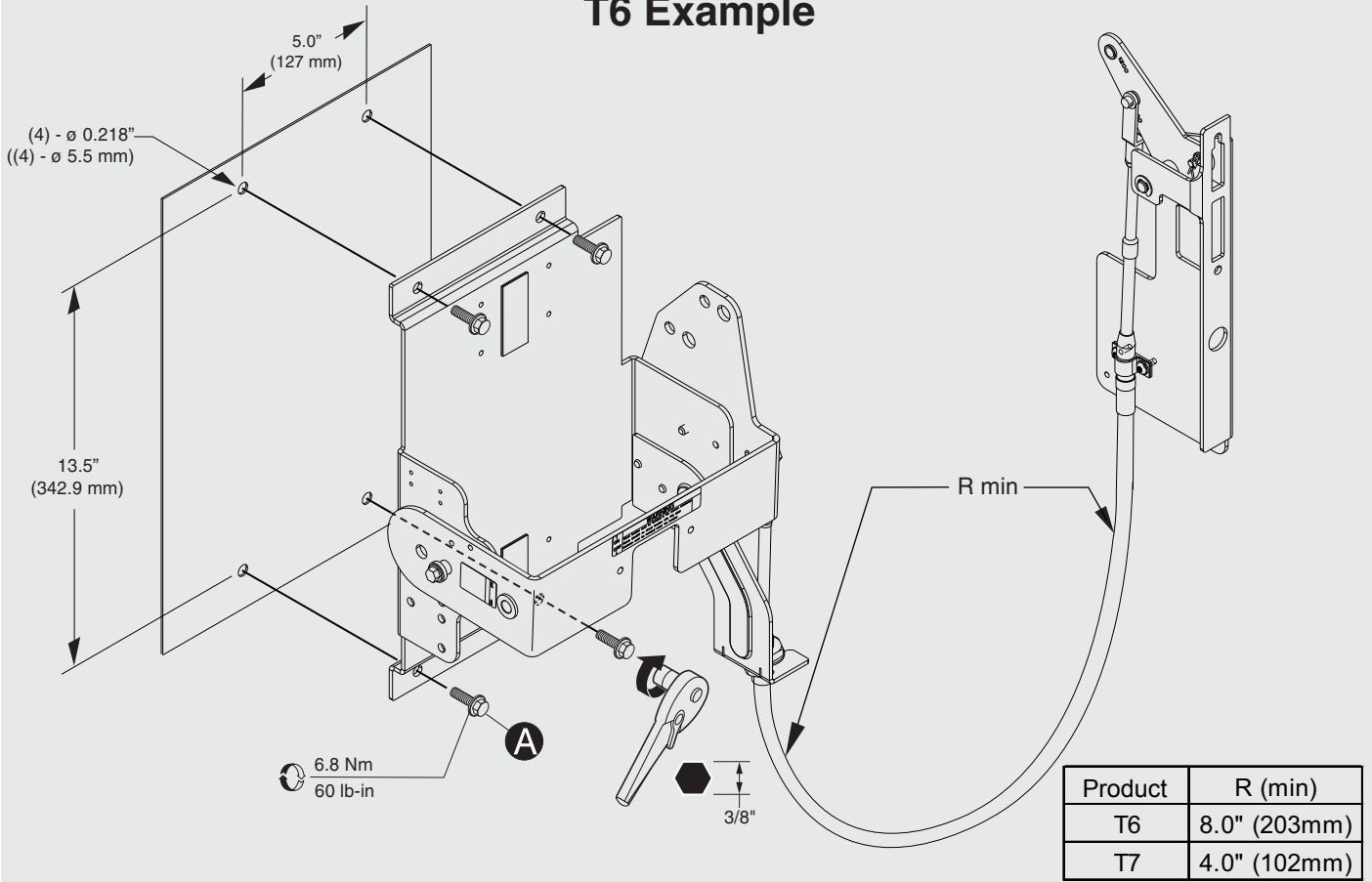
SACE Tmax

Flange handle T6-T7 three poles

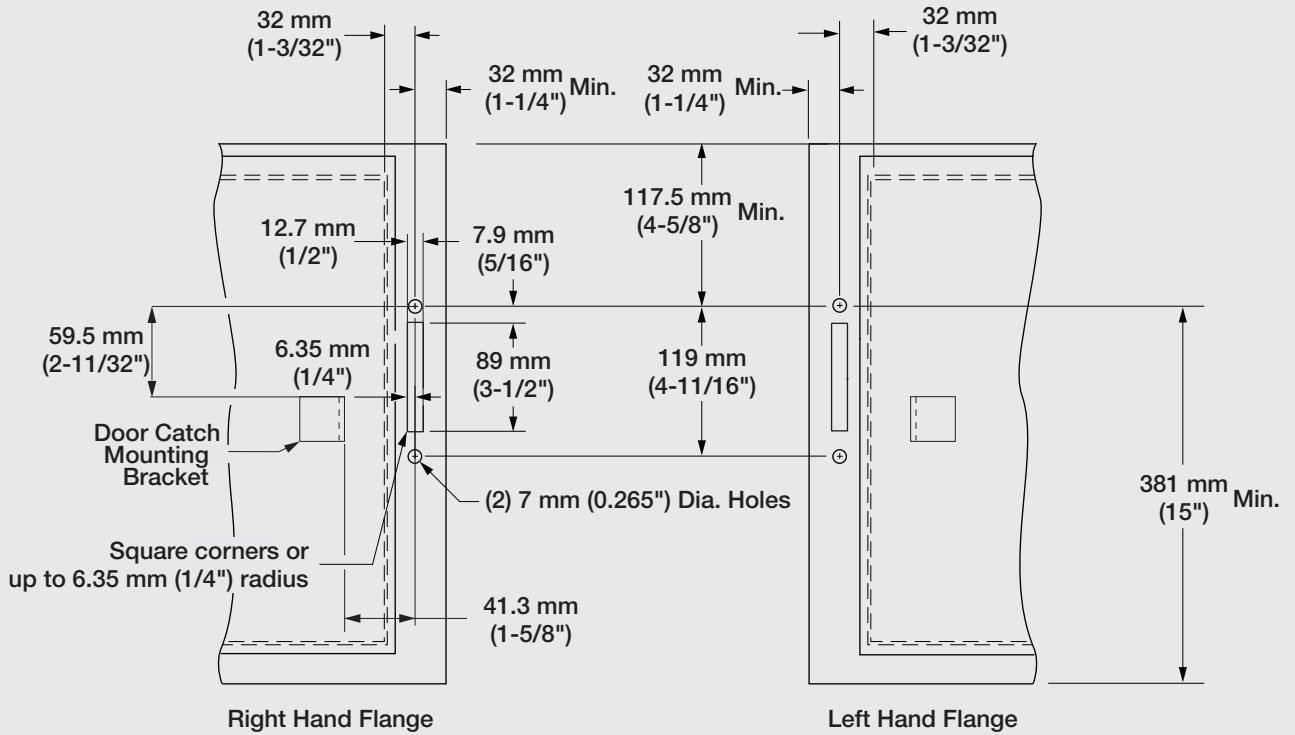


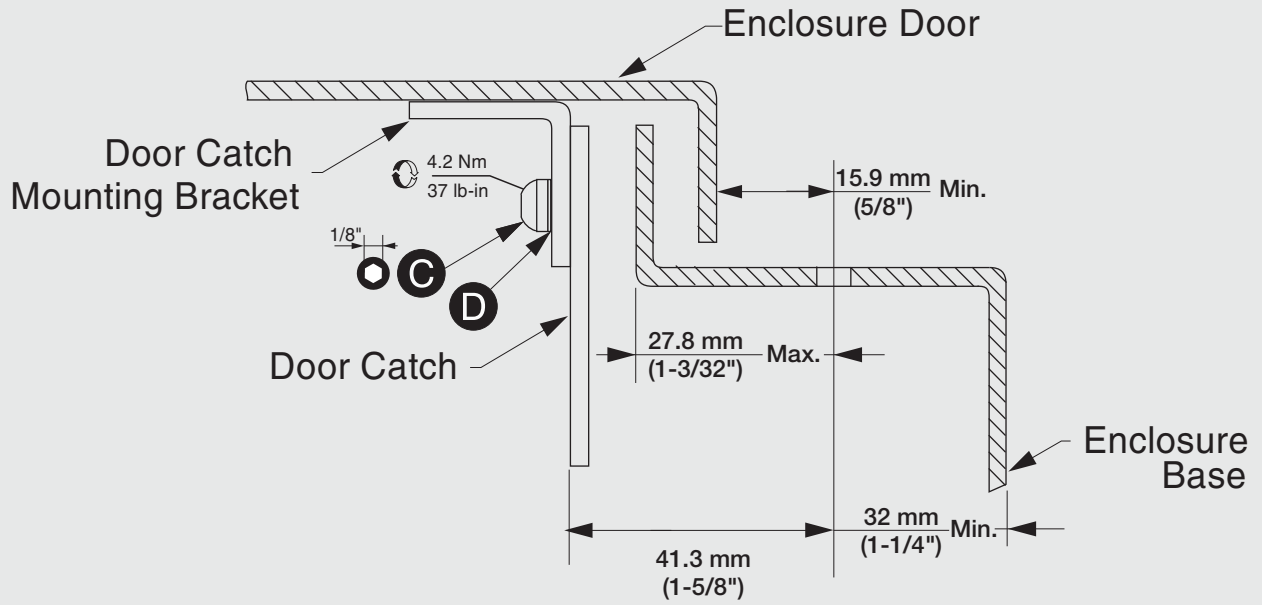
A

T6 Example



Handle Operating minimum distance among active parts and cable shall be at least 1" (25mm)

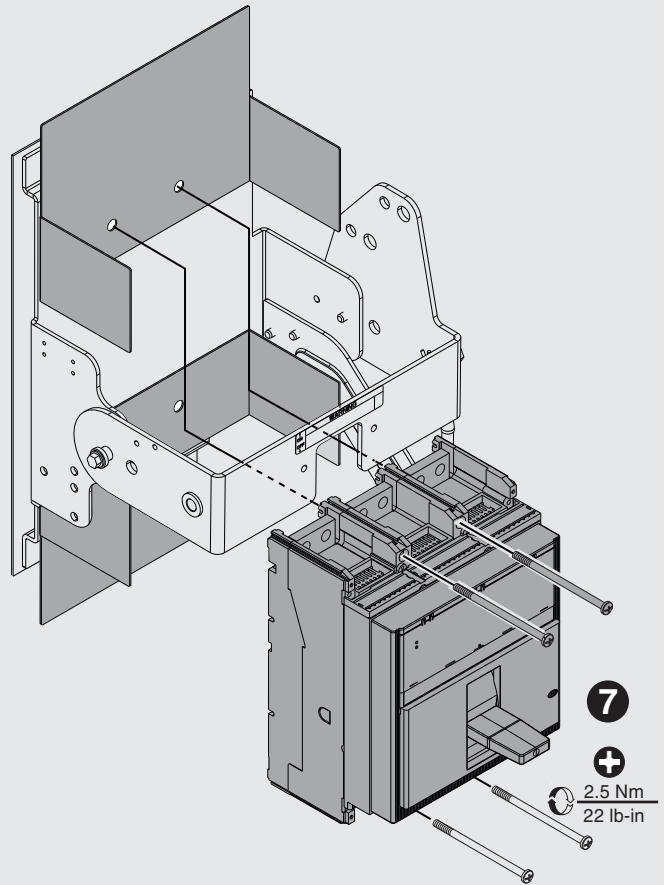
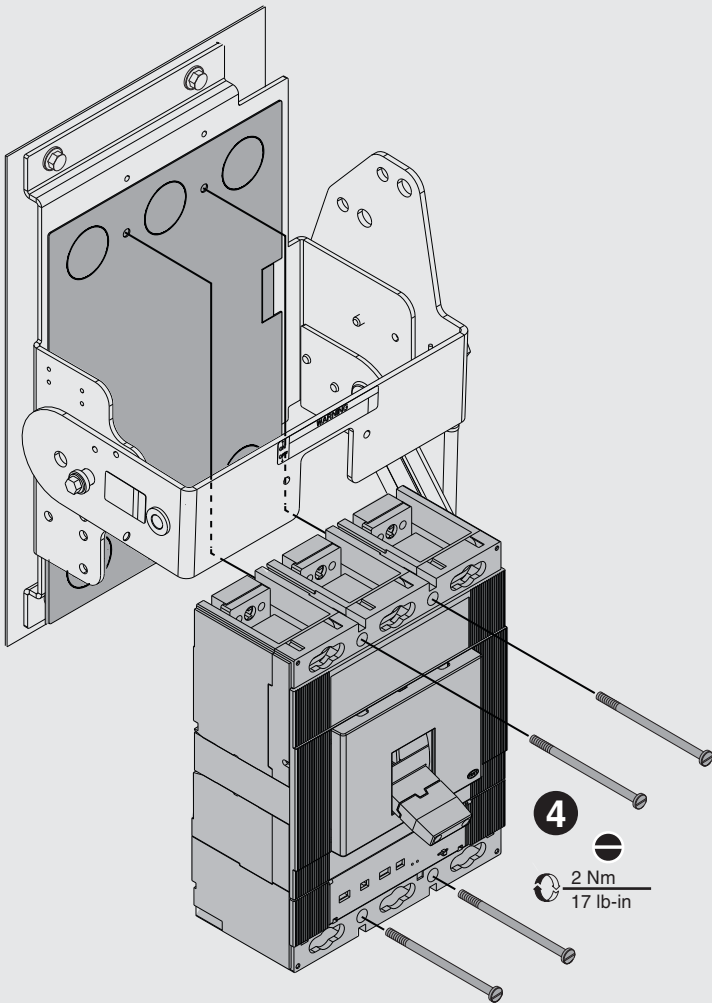
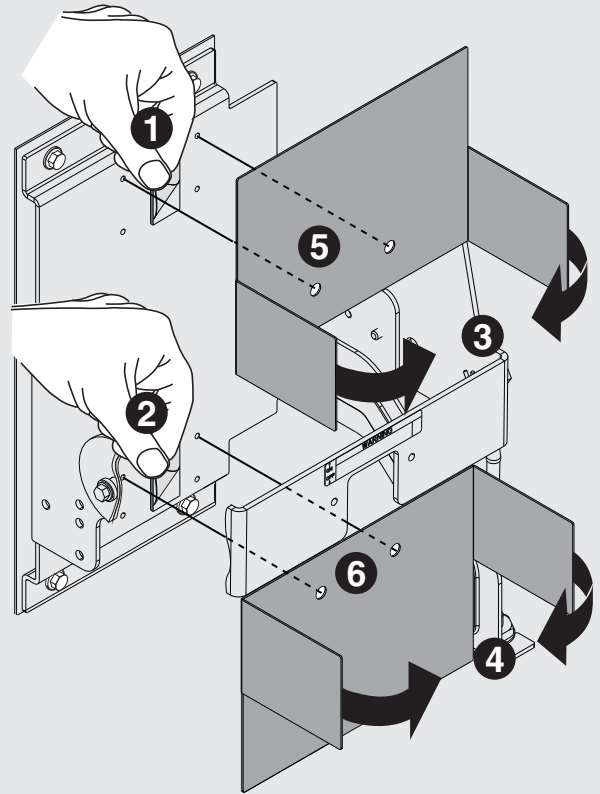
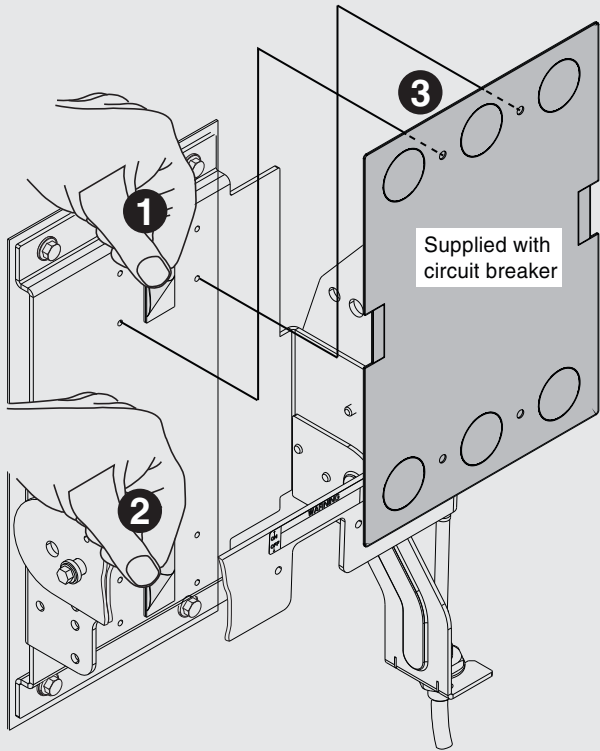




The door catch mounting bracket is provided with projections for welding; however, holes can be drilled in the bracket using the projections for locating hole centers. After locating the centers, use the bracket as a template and drill corresponding holes in the enclosure door. Fasten the bracket with hardware supplied by user. If properly assembled, the hardware should not be accessible for tampering with by unauthorized personnel.

T6

T7

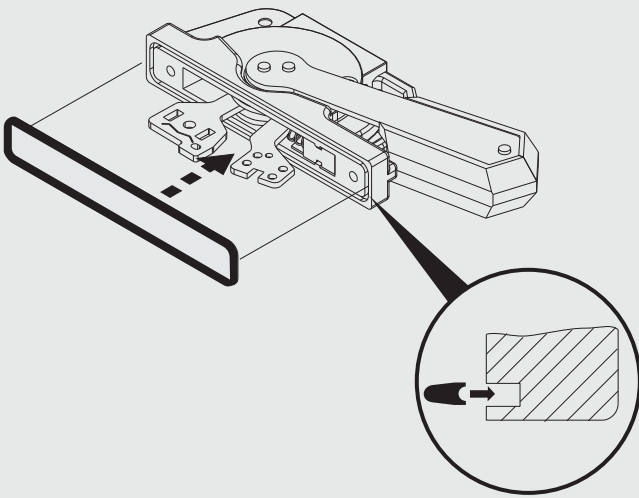


4 mounting screws supplied with the circuit breaker

4 mounting screws supplied with the circuit breaker

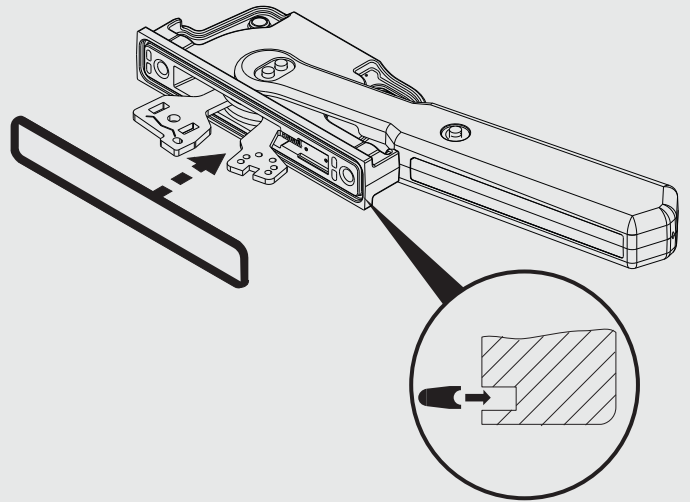
D

T6



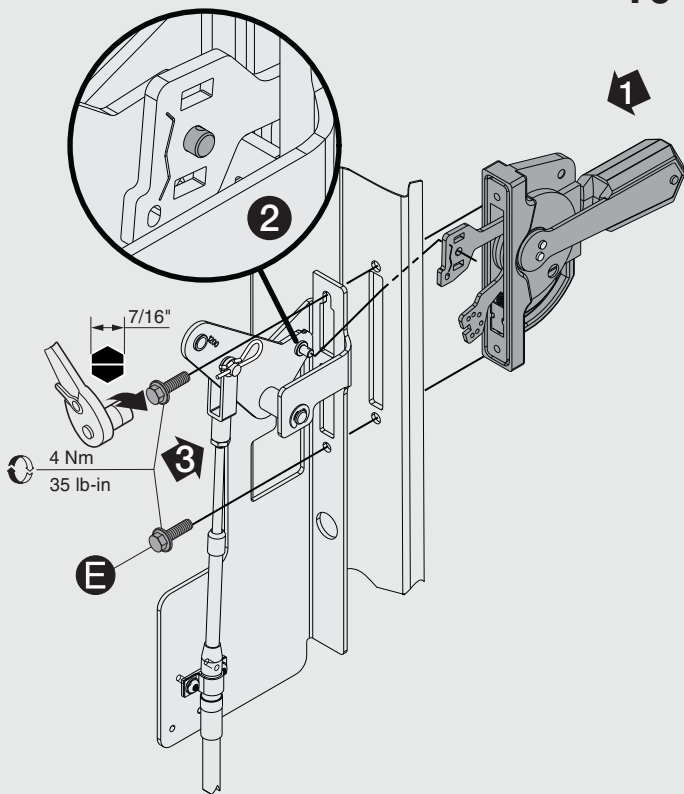
E

T7



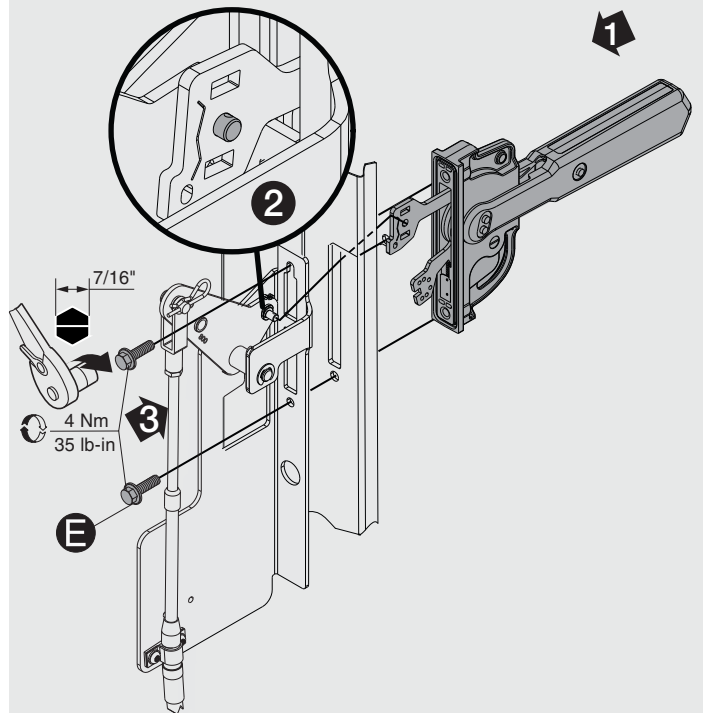
F

T6



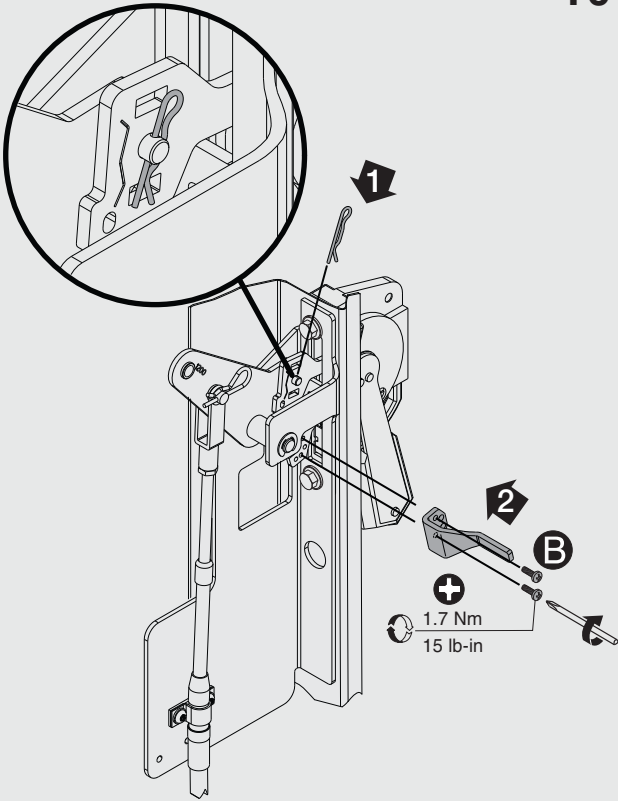
G

T7



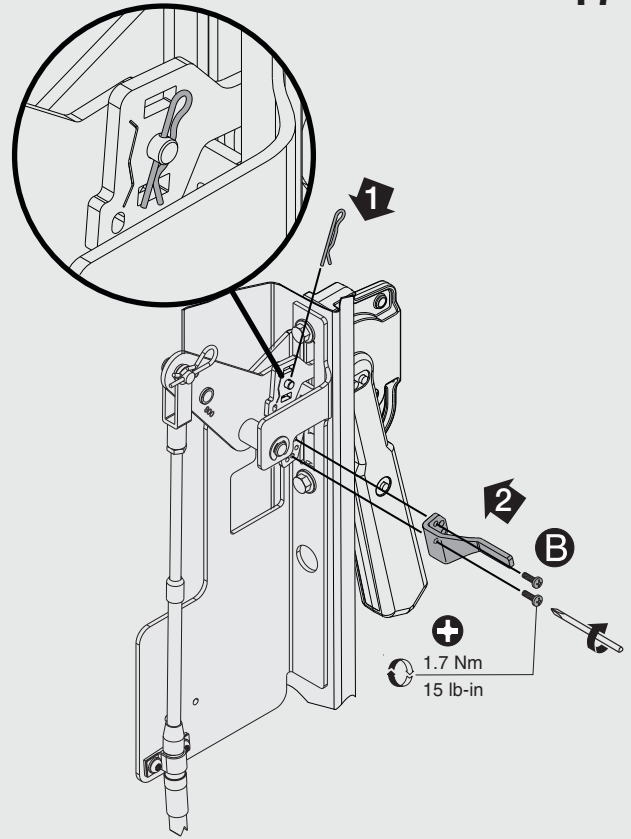
H

T6



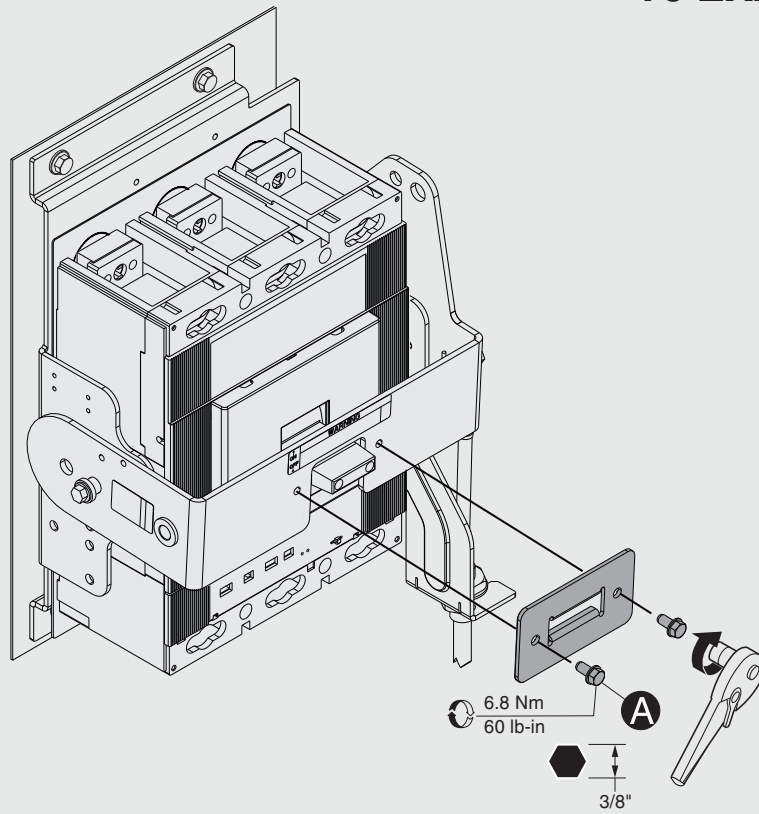
I

T7

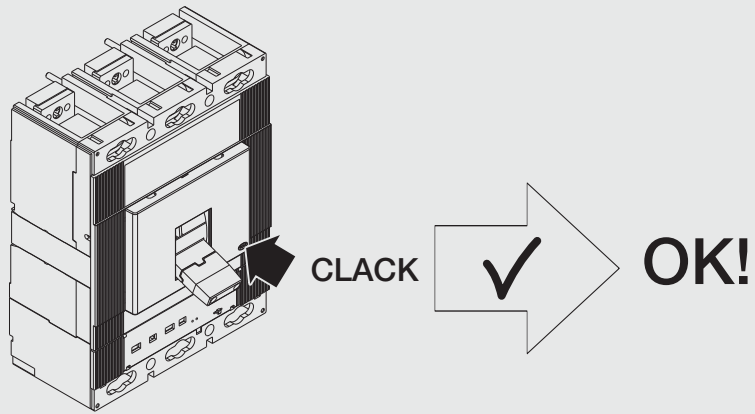


J

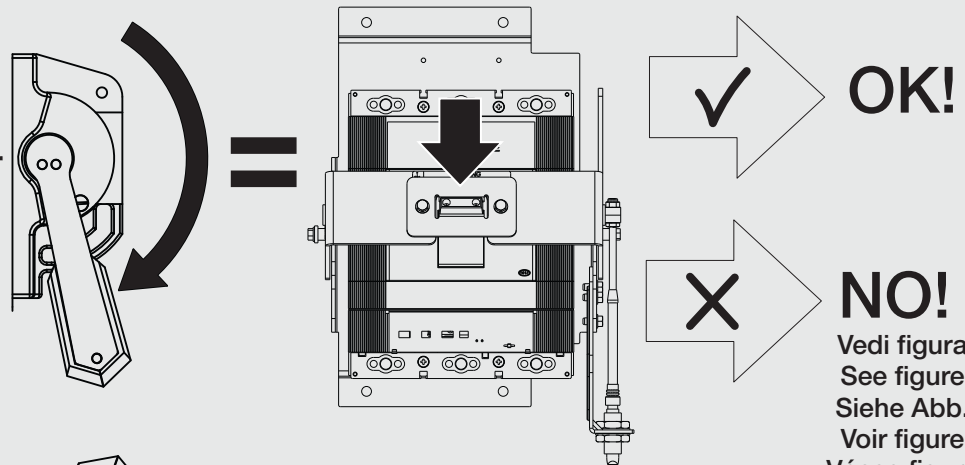
T6 EXAMPLE



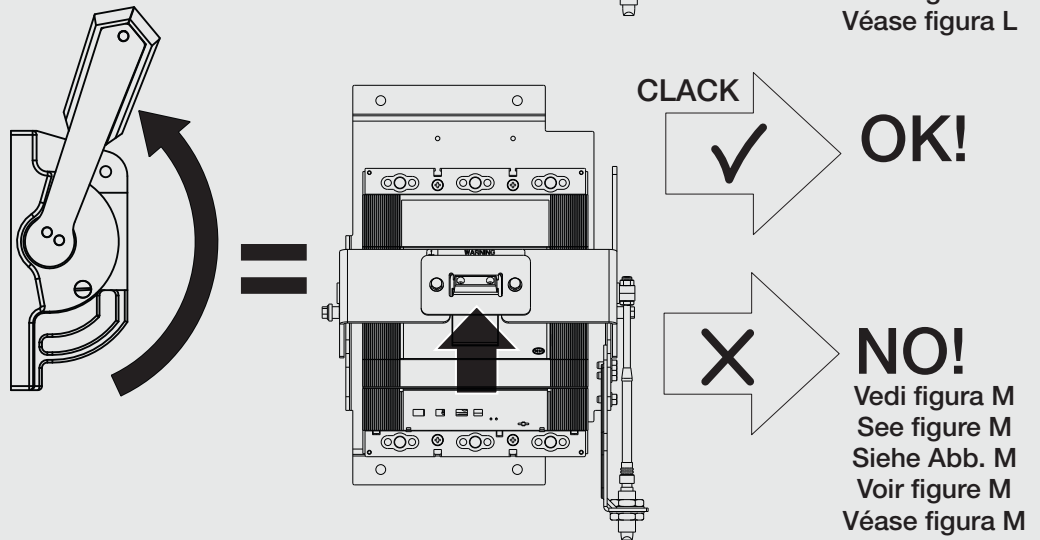
1 - Trip Breaker



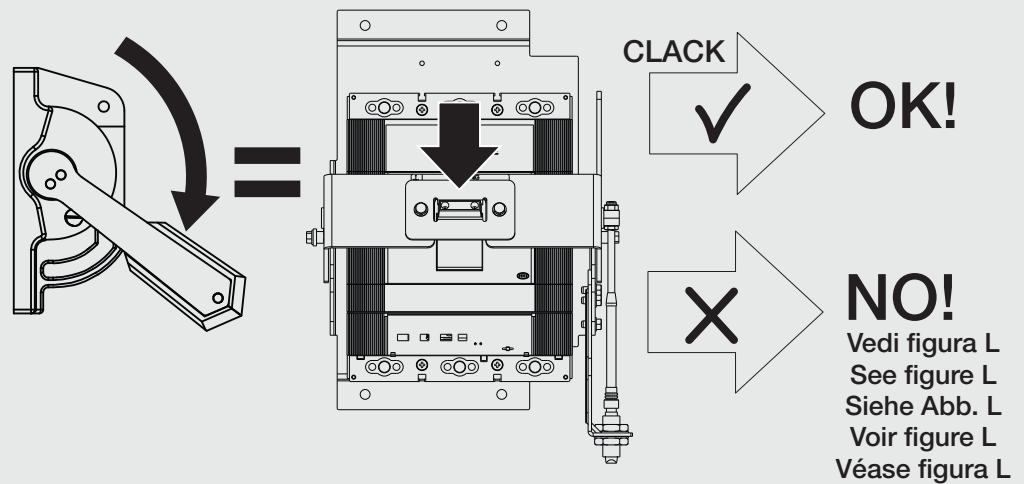
2 - Reset Breaker



3 - Breaker On



4 - Breaker Off



✗

NO!

Vedi figura L
See figure L
Siehe Abb. L
Voir figure L
Véase figura L

✗

NO!

Vedi figura M
See figure M
Siehe Abb. M
Voir figure M
Véase figura M

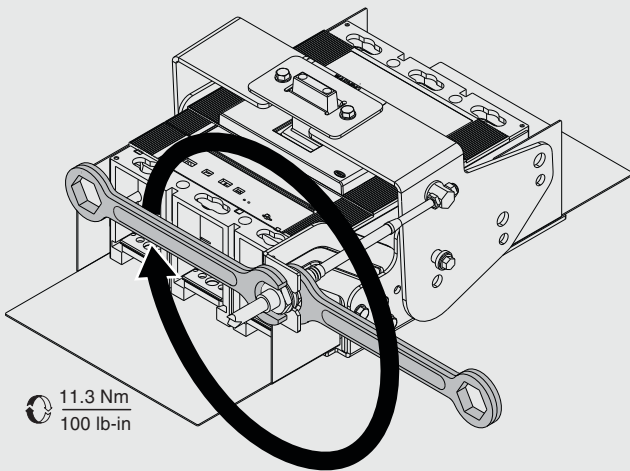
✗

NO!

Vedi figura L
See figure L
Siehe Abb. L
Voir figure L
Véase figura L

L

CABLE REGULATION



11.3 Nm
100 lb-in

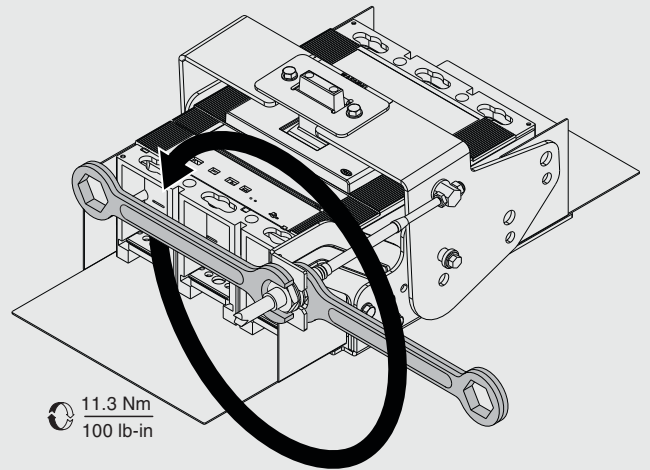
15/16"
(24 mm)



Ripetere K
Repeat K
Wiederholen K
Répéter K
Repetir K

M

CABLE REGULATION



11.3 Nm
100 lb-in

15/16"
(24 mm)



Ripetere K
Repeat K
Wiederholen K
Répéter K
Repetir K

N

LEVER POSITION

