



LPBS, 22 Jan 2013

Service Spare Parts & Consumables

Service Spare Parts



- Spare parts
 - Single components or kit
- Customer advantages
 - 100% compatibility between all the spare parts and CB;
 - All the Spare parts keep high performance level and have the same characteristics of the original product as they are tested and verified by the original manufacturer (same specifications, dimensions and tolerances of those present when the circuit breaker was ordered);
 - They are separately packaged and provided with installation instructions.
- Customer requirements
 - Routine and preventive maintenance;
 - Extraordinary maintenance (downtime)
- ABB response
 - Inventory management to meet customer requirements

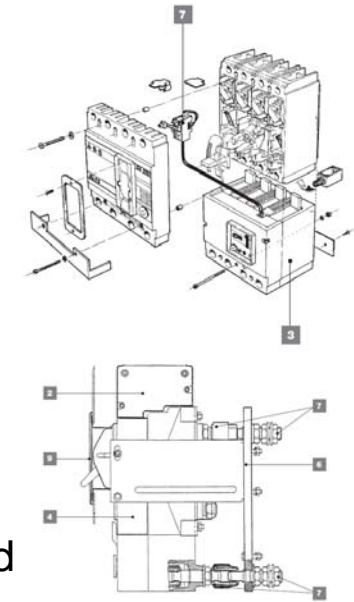


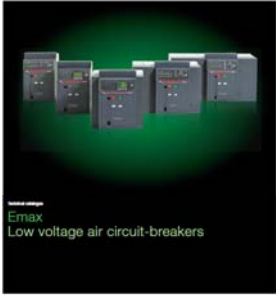

Service Spare Parts

There is a spare parts catalog in which some circuit breaker components are present

The catalog contains only for obsolete products even the accessories.

Others frames accessories others frames are in the dedicated catalogs



| Spare part description | Type | UXAB code | Q.ty | Note |
|---|---|--|------|------|
|  <p>Emax Low voltage air circuit-breakers</p> | 24Vdc e 48Vac |  <p>SACE Tmax XT New low voltage moulded-case circuit-breakers up to 250 A</p> | | |
| | 48-60Vdc | | | |
| | 100/127Vdc - 150/180Vac | | | |
| | 72/100Vdc - 100/127Vac | | | |
| | 150Vdc - 200/255Vac | | | X |
| | 72/100Vdc - 100/127Vac (electronic rel | | | X |
| | X1 di Emax Interruttore automatico aperto di bassa tensione | | | |
| | 254V 60Hz | | | |
| | 440V 60Hz | | | |
| | 120V 60Hz | | | |
| | (electronic release) | 749335912 | 1 | X |
| | (electronic release) | 749335922 | 1 | X |
| | 254V 60Hz (electronic release) | 149135948 | 1 | X |

1 Modul

Service

Spare Parts : LCM (Life Cycle Management)

Products

Low voltage Air Circuit Breaker:

- **Frame: New EMAX**
- **Frame: MEGAMAX**
- **Frame: EMAX**
- **Frame: NOVOMAX G2-G3-G4-G5-G6-LG**
- **Frame: OTOMAX**
- **Frame: NOVOMAX G30**

Low voltage Moulded Case Circuit Breaker:

- **Frame: TMAX**
- **Frame: LIMITOR**
- **Frame: ISOMAX**
- **Frame: ISOL - FUSOL**
- **Frame: MODUL**

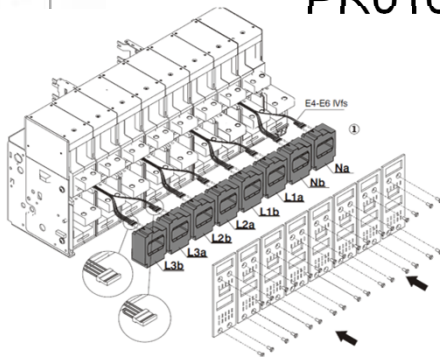


Service Spare Parts: New Catalog



What is new? (N)

- Trip Units for ISOMAX
- Sensor chain for New Emax
- New spare parts (i.e.: frontal for Tmax, cables for PR010/T, etc...)



| | | | | | | |
|--|------------------|----------|---|---|---|--------|
| Electronic overcurrent release PR212 R1250 LSI | S7 3 poles 1250A | 014150R1 | 1 | N | A | Isomax |
| Electronic overcurrent release PR212 R1000 LSI | S7 3 poles 1250A | 014158R1 | 1 | N | A | |
| Electronic overcurrent release PR212 R1250 LSI | S7 3 poles 1250A | 014159R1 | 1 | N | A | |
| Electronic overcurrent release PR211 R1000 I | S7 4 poles 1250A | 014161R1 | 1 | N | A | |
| Electronic overcurrent release PR211 R1250 I | S7 4 poles 1250A | 014162R1 | 1 | N | A | |
| Electronic overcurrent release PR211 R1000 LI | S7 4 poles 1250A | 014164R1 | 1 | N | A | |
| Electronic overcurrent release PR211 R1250 LI | S7 4 poles 1250A | 014165R1 | 1 | N | A | |
| Electronic overcurrent release PR212 R1000 LSI | S7 4 poles 1250A | 014167R1 | 1 | N | A | |

Service

Spare Parts: New Catalog

The spare parts can be defined as *standard spare parts* or „class A“ *spare parts*

The difference is that all the class „A“ spare parts can be mounted by ABB SACE experts to due technical reasons or dedicated peculiar tools



| | | | | | | |
|--|------------------|----------|---|---|---|--------|
| Electronic overcurrent release PR212 R1250 LSI | S7 3 poles 1250A | 014150R1 | 1 | N | A | Isomax |
| Electronic overcurrent release PR212 R1000 LSI | S7 3 poles 1250A | 014158R1 | 1 | N | A | |
| Electronic overcurrent release PR212 R1250 LSI | S7 3 poles 1250A | 014159R1 | 1 | N | A | |
| Electronic overcurrent release PR211 R1000 I | S7 4 poles 1250A | 014161R1 | 1 | N | A | |
| Electronic overcurrent release PR211 R1250 I | S7 4 poles 1250A | 014162R1 | 1 | N | A | |
| Electronic overcurrent release PR211 R1000 LI | S7 4 poles 1250A | 014164R1 | 1 | N | A | |
| Electronic overcurrent release PR211 R1250 LI | S7 4 poles 1250A | 014165R1 | 1 | N | A | |
| Electronic overcurrent release PR212 R1000 LSI | S7 4 poles 1250A | 014167R1 | 1 | N | A | |

Service

Spare Parts: New Catalog

Some spare parts for obsolete products are in limited availability (x).
In any case please contact ABB SACE for confirmation.



| Spare part description | Type | UXAB code | Q.ty | Note |
|-----------------------------|--|-----------|------|------|
| 1 Arc chambers set | Complete range | 749199003 | 1 | X |
| 2 Main fixed contact | Complete range, for phase poles | 749199001 | 3 | X A |
| | Complete range, for neutral poles | 749199002 | 1 | X A |
| 3 Moving contact | SAN/SAH 2000-3200, for L1 and L3 phase poles | 749199008 | 2 | X A |
| | SAN/SAH 2000-3200, for L2 phase pole | 749199009 | 1 | X A |
| | SAN/SAH 2000-3200, for neutral pole | 749199010 | 1 | X A |
| | SN/SH2000-3200 for phase poles | 749199018 | 3 | X A |
| | SN/SH2000-3200 for neutral pole | 749199020 | 1 | X A |
| 4 Operating lever | SAN/SAH 2000-3200 (extended) | 749199011 | 1 | X |
| | SN/SH/SAN/SAH2000-3200 (standard) | 749199012 | 1 | X |

New development Maintenance and Upgrade Kits

Example: Megamax F1 Kit



Power and productivity
for a better world™

