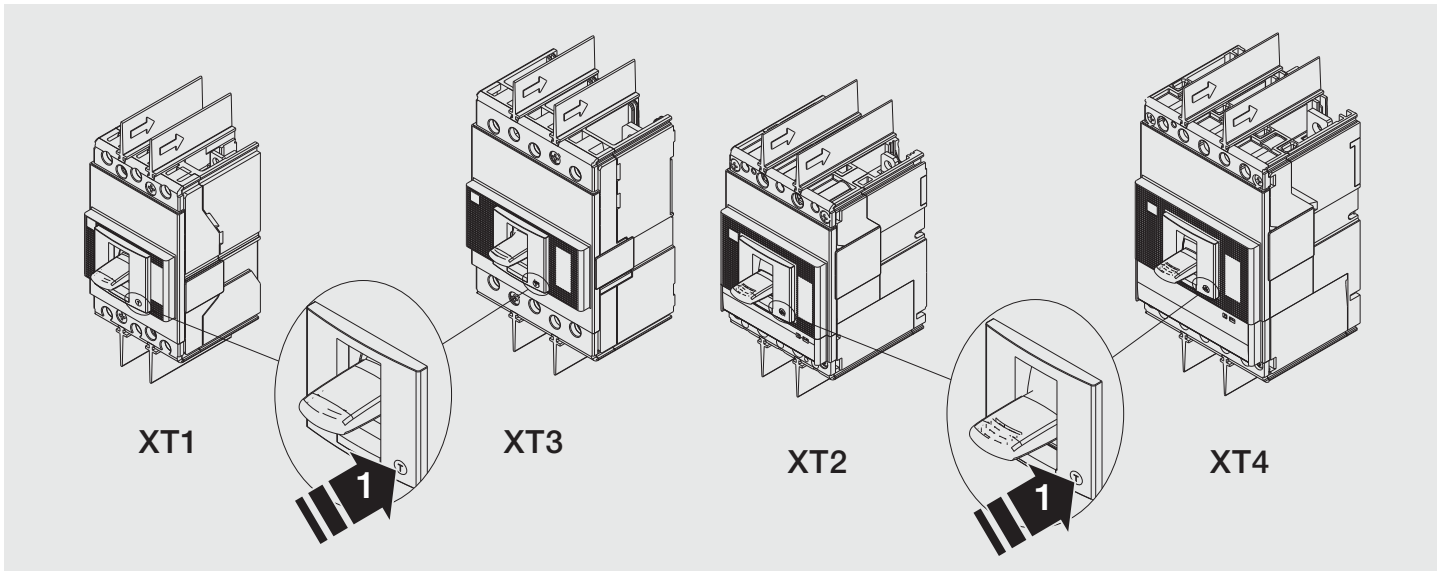


SACE Tmax XT

Trasformazione interruttore base in parte mobile per interruttore rimovibile XT1-XT2-XT3-XT4.
 Transformation of a basic circuit-breaker into a moving part for a plug-in circuit-breaker XT1-XT2-XT3-XT4.
 Umwandlung des Grund-Leistungsschalters in Bewegliches Teil für Steckbaren Leistungsschalter XT1-XT2-XT3-XT4.
 Transformation du disjoncteur de base en partie mobile pour disjoncteur debrochable XT1-XT2-XT3-XT4.
 Tranformación interruptor base en parte móvil para interruptor removible XT1-XT2-XT3-XT4.
 将固定式断路器改装为插入式移动部分的转换套件 XT1-XT2-XT3-XT4.

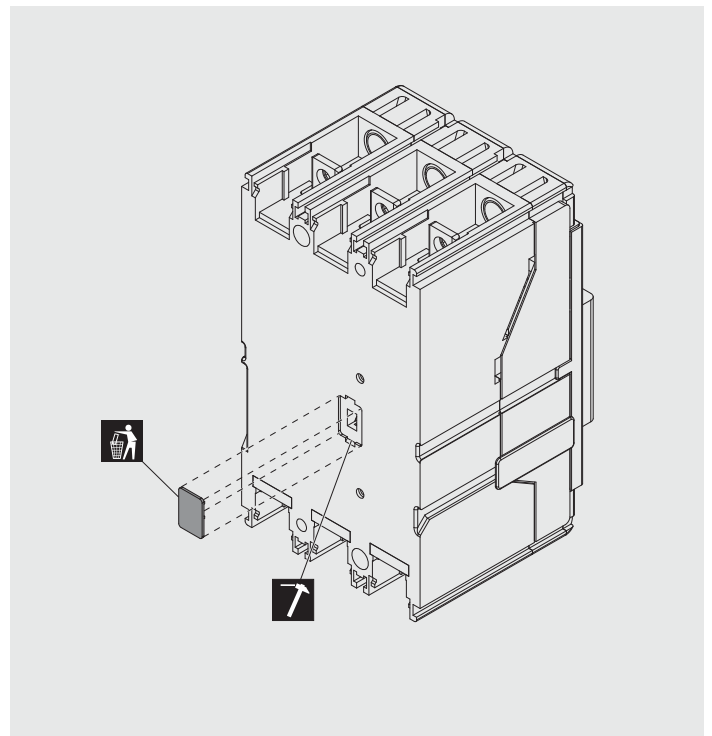
XT1-XT2-XT3-XT4



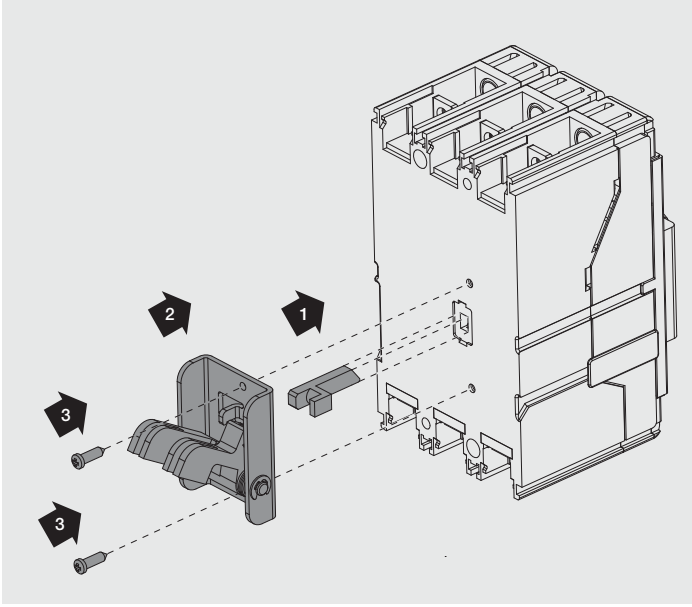
	XT1-XT3		XT2-XT4	
	III	IV	III	IV
	6	8	6	8
	1	1	1	1
	1	1	1	1
	6	8	6	8
	6	8	6	8
	2	/	2	/
	/	2	/	2
	4	4	2	2
	2	3	2	2
	2	3	2	2

A

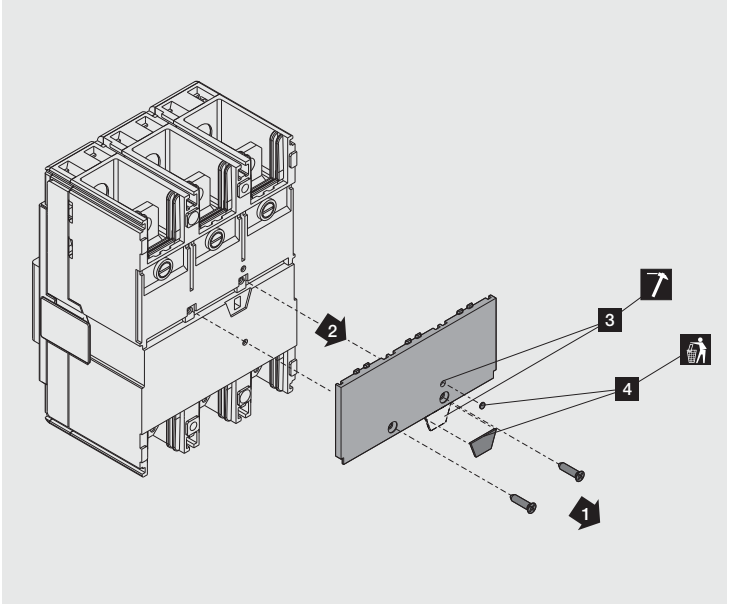
XT1



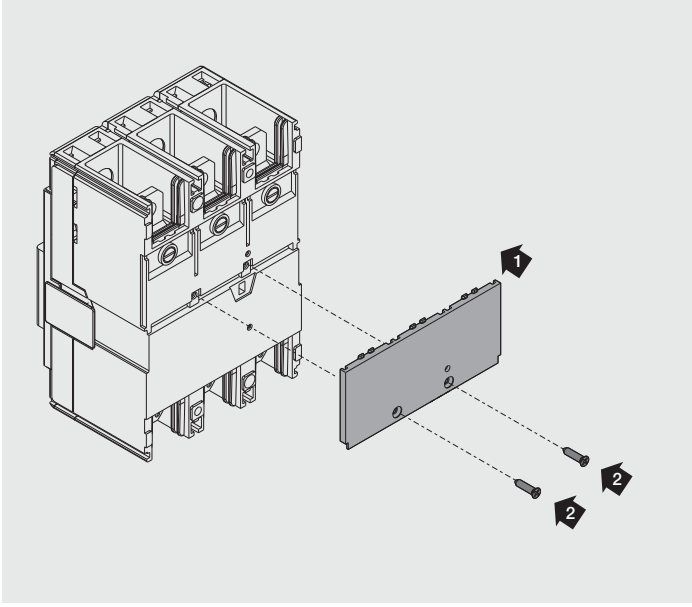
B XT1



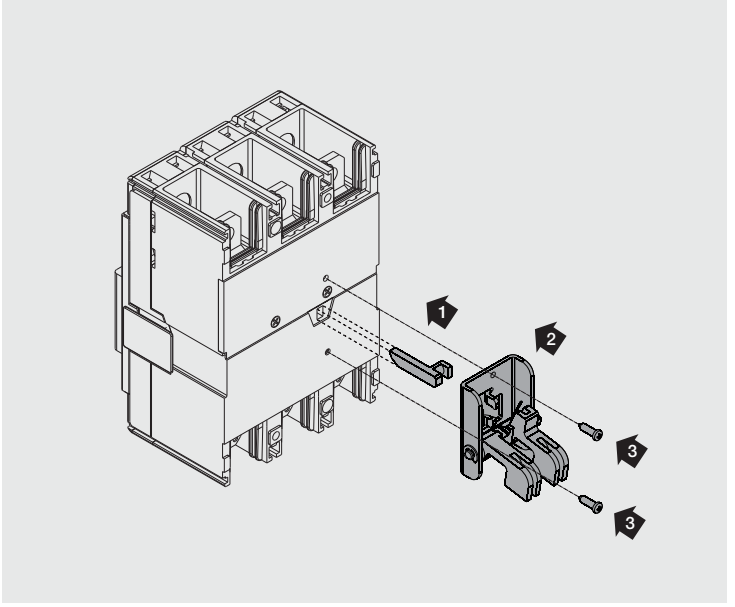
C XT3



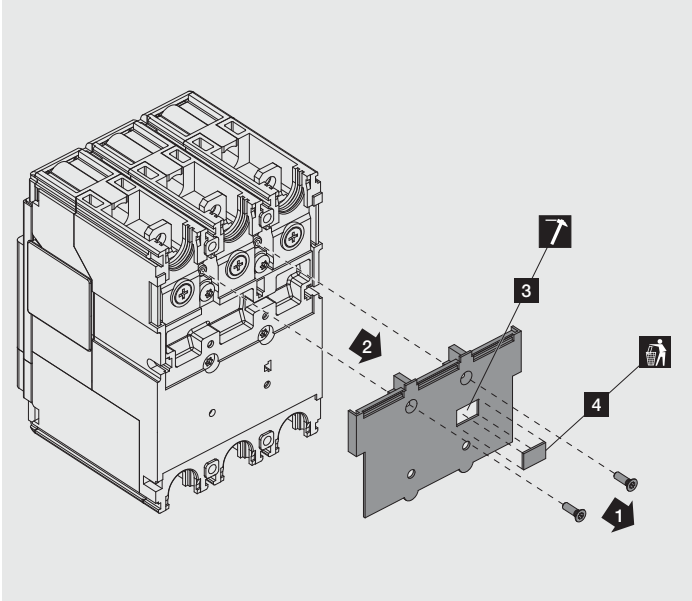
D XT3



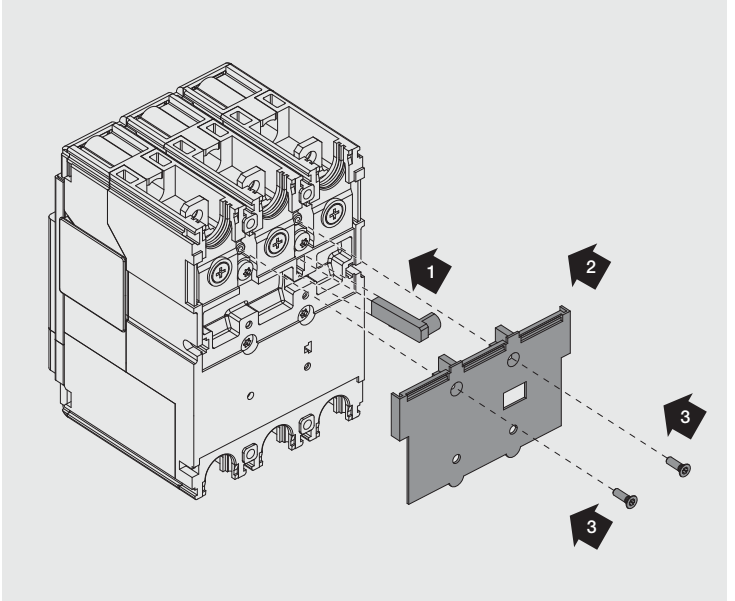
E XT3



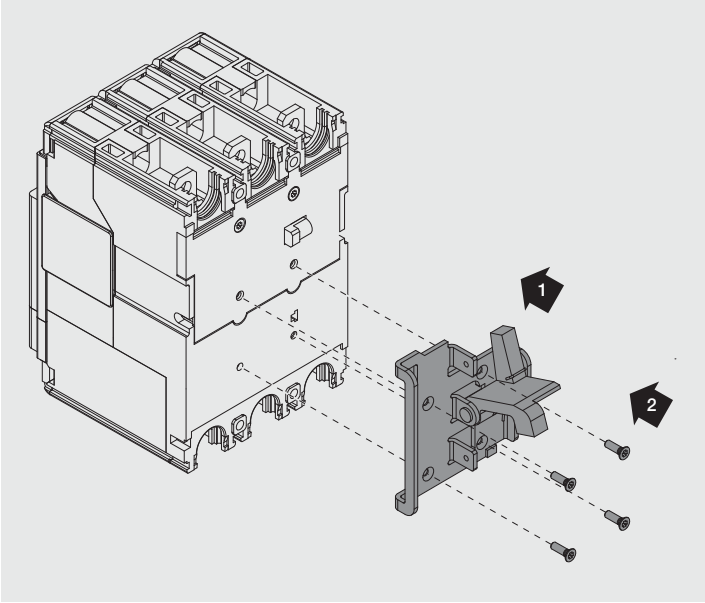
F XT2-XT4



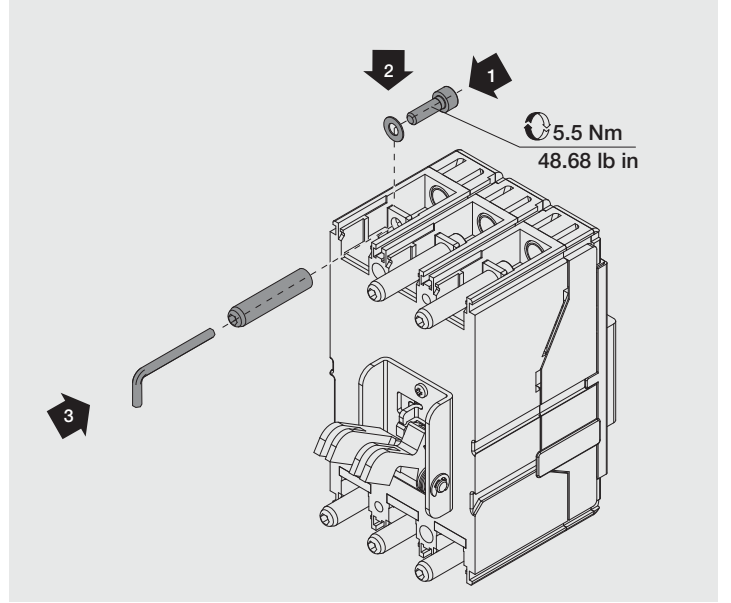
G XT2-XT4



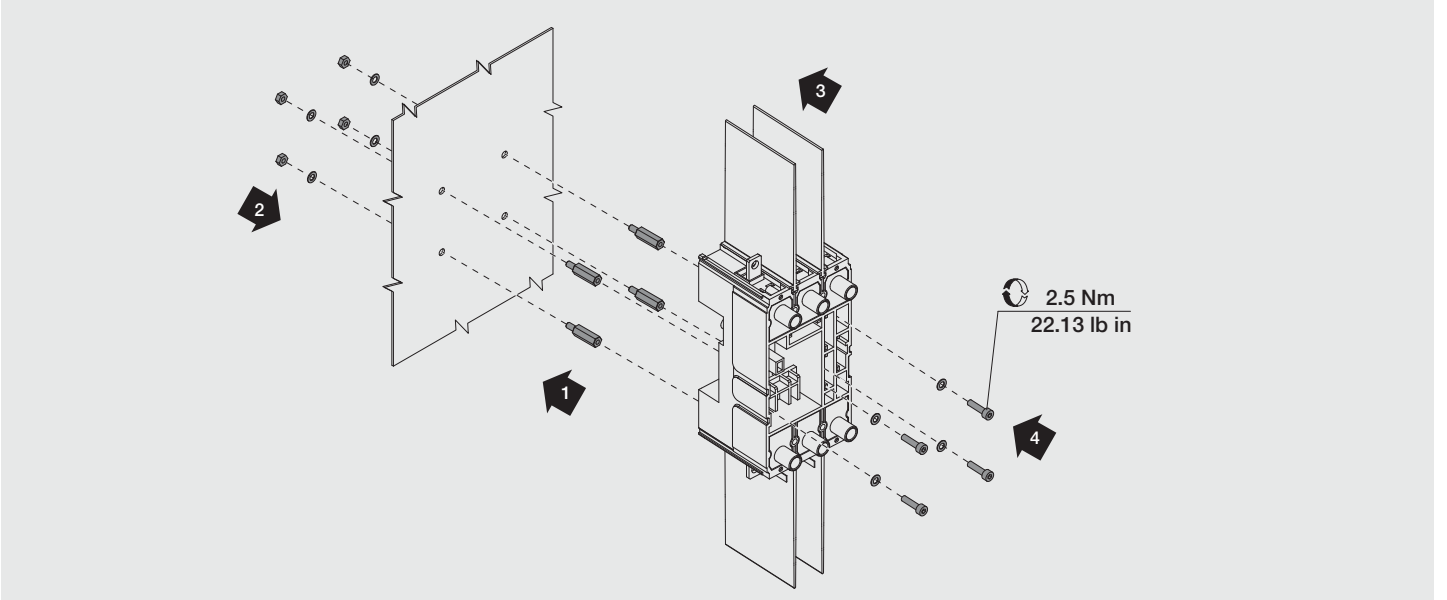
H XT2-XT4



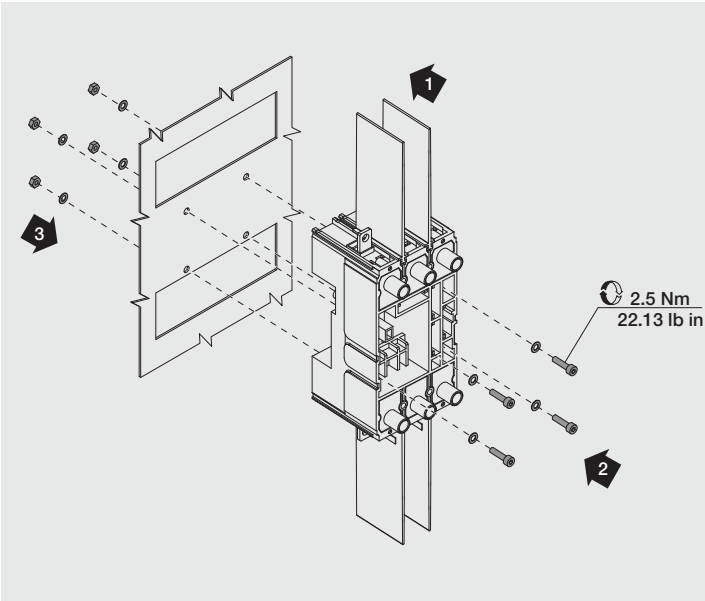
I XT1-XT2-XT3-XT4



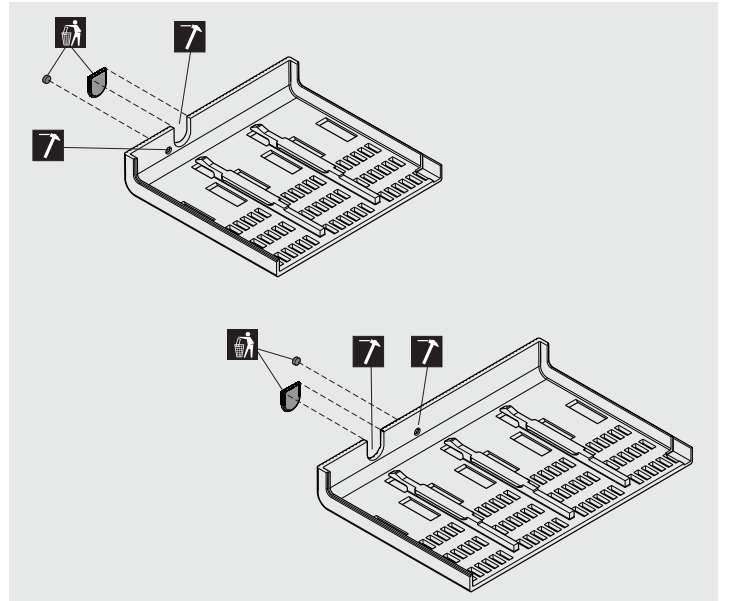
J Mounting at 70mm - 2,76": only with extended front terminals



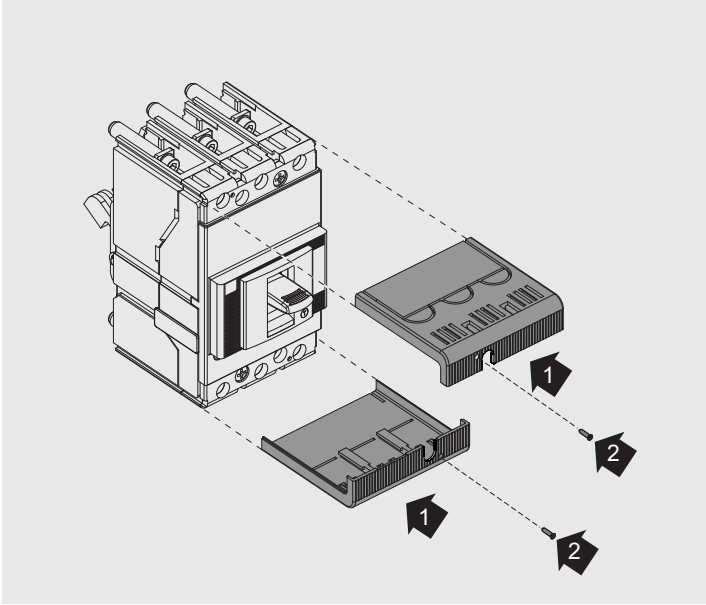
K Mounting at 50 mm - 1.97": for all



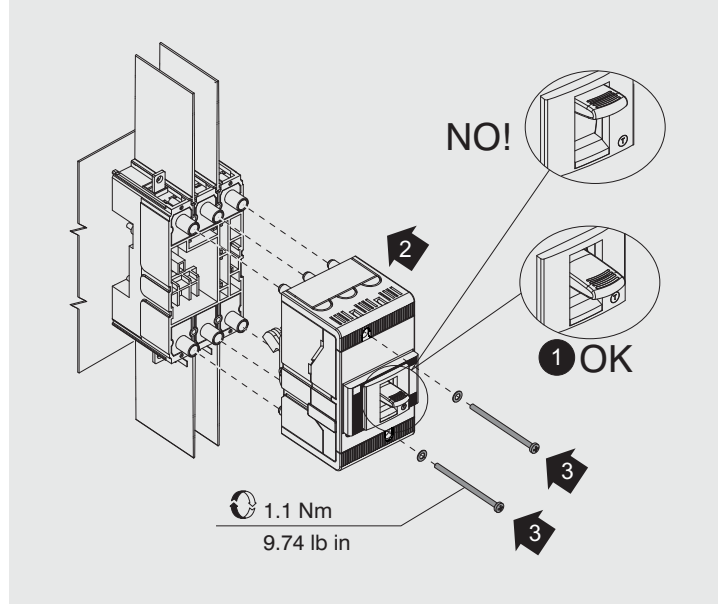
L



M



N



O

