

This document is issued by means of a computerized system. The digitally stored original is electronically approved. The approved document has a date entered in the "Approved"-field. A manual signature is not required.

The information contained in this document has to be kept strictly confidential. Any unauthorized use, reproduction, distribution or disclosure to third parties are strictly forbidden. ABB reserves all rights regarding Intellectual Property Rights. © Copyright 2013 ABB. All rights reserved.

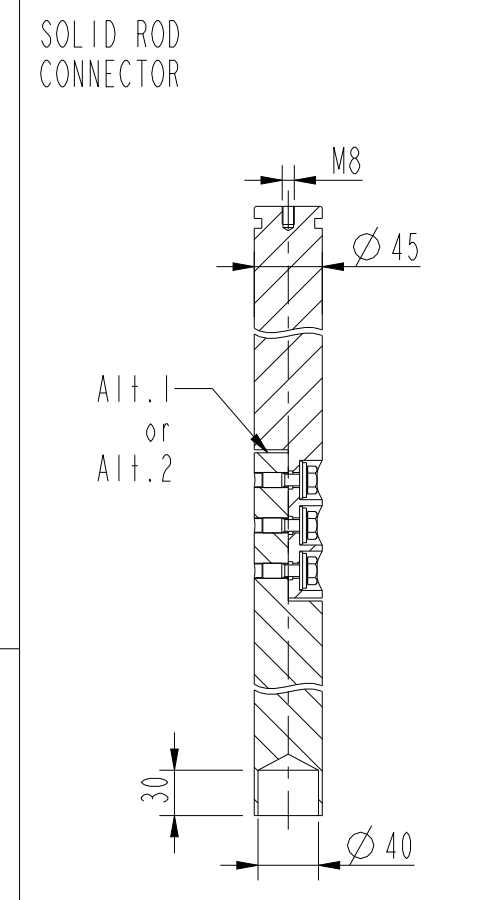
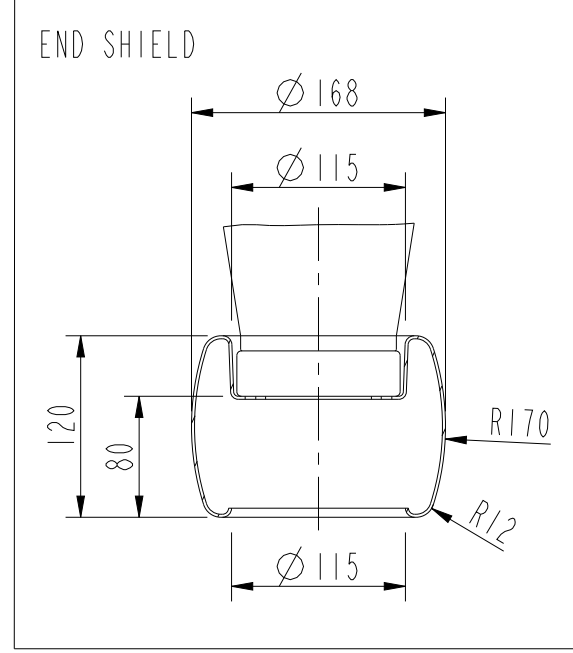
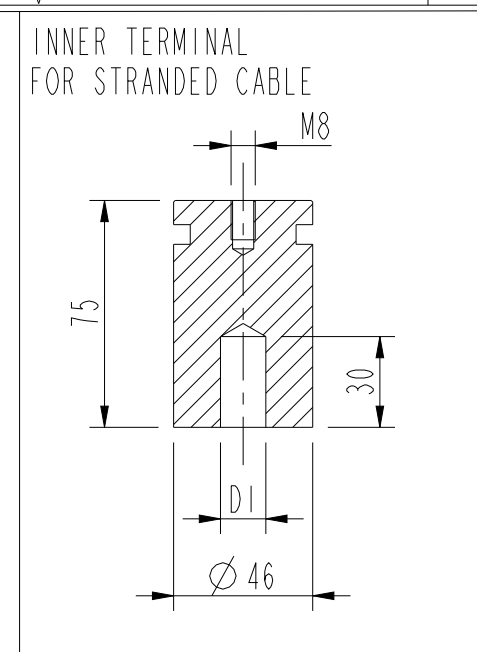
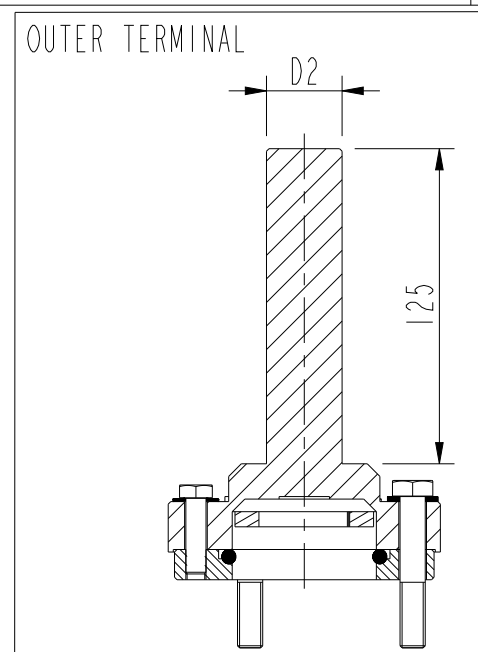
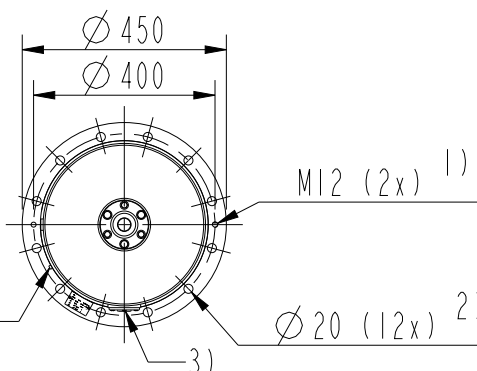
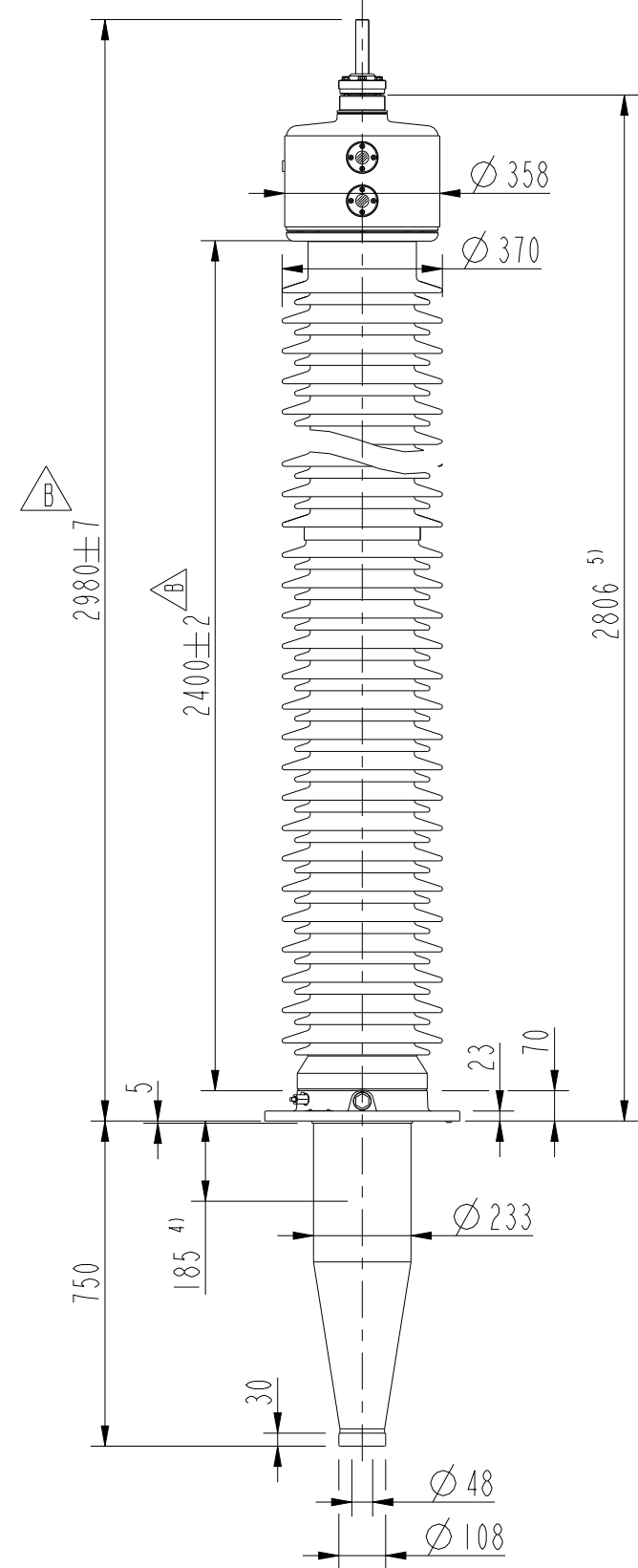


ABB		Ludhika, Sweden	
No.	Um	kV Ir	A 50/60 Hz
BL	kV SL	kV AC	kV
M	kg L	mm	°
C1	pF	Tan δ	x
C2	pF	Tan δ	x

Bushing Data:		
Rated Voltage	245	kV
Phase to Ground Voltage	$\triangle B$ 142	kV
Dry Lightning Impulse 1,2/50µs	1050	kV
Wet Switching Impulse	850	kV
Wet power frequency AC	550	kV
Routine test 1min dry 50Hz	505	kV
Rated Current	1600	A
Creepage Distance	7750±200	mm
Mass	375	kg

Ordering Data:		
BUSHING	COLOUR AIR INSULATOR	
LF 125 060-D	BROWN	
LF 125 060-L	LIGHT GREY	
OUTER TERMINAL	Material	D2
LF 170 017-BA	Al	Ø 30
LF 170 017-BC	Al	Ø 60
LF 170 017-BB	Cu	Ø 30
LF 170 017-BH	Cu	Ø 40
OTHER TYPES ON REQUEST		
INNER TERMINAL FOR STRANDED CABLE	Conductor area	D1
LF 170 018-AB	up to 95mm ²	Ø 15
LF 170 018-AC	up to 285mm ²	Ø 30
LF 170 018-AD	up to 740mm ²	Ø 42
LF 170 018-AA	Undrilled with pilot hole	Ø 5
SOLID ROD CONNECTOR	Material	
LF 170 032-AF for Alt.1		
N/A for Alt.2		
END SHIELD	Insulation	
LF 170 020-R	Epoxy	
LF 170 020-U	Pressboard (thickness 3mm)	

The solid rod can be divided either:
 Alt.1: 20mm below the bushing flange or
 Alt.2: 20mm below the upper end of the bottom porcelain

- 1) For Lifting Eyes/Earth connection
- 2) Mounting Holes
- 3) Test Tap
- 4) Earthed layer
- 5) Standard cable length

Prepared	Anandkrishnan R	2016-10-25	Responsible department	PGCO/BK	Title	GOM 1050-850-0	Language	82
Modified by	Anandkrishnan R	2016-10-26	Take over department					
Approved by	Natalia Gutman	2016-10-26	Used in product		GOM 1050-850-0	Order	Sheet no.	1
Revision	B	Dimensions updated, 142 was 200 kv			Document no.	2751369-232	No. Shits.	(1)

