



Technical catalogue | January 2017

Stainless steel enclosures for automation

Stainless steel enclosures for automation

Technical catalogue

[Introduction](#)

1

[SRX enclosures](#)

2

[AMX monobloc cabinets](#)

3

[ISX modular cabinets](#)

4

[Accessories common to all series](#)

5

[In-depth technical information](#)

6

[Overall dimensions](#)

7

[Index of codes](#)

8

ABB SACE Division - Quality, ethics and environmental certification

ABB SACE, a division of ABB S.p.A., has always been at the forefront when it comes to dedicating consistent resources for the purpose of attaining its sustainability and environmental protection goals.

A policy confirmed by acquisition of ISO 9001 quality certification and ISO 14001 environmental management system certification by all the corporate plants.

Thanks to use of analysis tools like LCA (Life Cycle Analysis), assessment and improvement of the environmental performance of the entire life cycle of the products is included in ABB SACE's design engineering work right from the very start.

This guarantees technical and energy performance optimization during operation and control, as well as reduction of environmental impact during the manufacturing phase and end of life management process.

The Garbagnate Monastero plant has also obtained certification for its QAS (Quality, Environment, Safety) integrated management system.

All the corporate divisions have always actively pursued policies for environmental management improvement implemented by rationalizing the use of raw materials and energy, preventing pollution, monitoring air and water quality, reducing noise emissions and the waste created by the production processes as well as conducting regular environmental audits with the major suppliers.

Each of these goals and tasks is the result of a farsighted decision to adopt environmental policies and methods for reducing environmental impact. Already a leading enterprise as to the quality of its products, ABB SACE is also a pacesetter in Italy with regard to these issues.



ABB: Energy efficiency for sustainable progress



ABB is actively committed to promoting environmental protection and sustainable development by providing products and solutions that help to improve the energy efficiency and productivity of the installations while reducing CO₂ emissions.

The ABB SACE website: makes your work easier, develops your business

- **News**, to keep you up to date about the latest electrical engineering innovations
- **Products**, just a simple click for an overview of ABB SACE products 24 hours a day
- **Catalogues** that you can consult, download and request
- **Technical documentation** where you can check circuit diagrams, dimensional drawings, instruction sheets, installation manuals
- **Work tools** for designing in complete safety
- **Training**, where you can consult the training catalogue and register for courses online

Technical software Calculation and cost estimate tools e-Design: everyone has a project, ABB has a solution to make it happen.

e-Design is the integrated suite, designed and created by ABB, dedicated to designers, technicians, engineering companies, panel builders and wholesalers. Thanks to e-Design you can design an electrical installation and optimize the processing time, while benefiting from a product portfolio you can use in synergy and with intuitive and simple functions.

We would like to highlight several positive features:

FLEXIBILITY

- Interconnected modules accessible during all stages of the project
- Projects that can be reused by all the professionals involved in their creation

VELOCITY

- You can save, duplicate and edit product and switchboard configurations
- Calculation of single-line diagrams and automatic dimensioning of conductors and control and protection equipment

SIMPLICITY

- You can draw single-line diagrams using predefined macros
- User-friendly configuration of switchboards and products

The software comprises four different modules for different purposes. One single process includes electrical system dimensioning, selection and configuration of products and accessories, switchboard configuration and cost estimates. Everything is much easier than in the past. Each individual module allows you to work on the details, but is also closely connected with the other modules. Using separate modules, design engineers can make a precise calculation of whole electrical system, then select equipment to suit the established electrical requirements and create a switchboard configuration. Finally, if the result is not sufficiently feasible, more detailed calculations can be made with the switchboard engineering module.

Here are some of the new purpose-made properties that make this process enjoyable:

- Easy drawing of single-line diagrams, both as regards power distribution and command and control circuits
- Simple and immediate selection and configuration of products, even for those who are not familiar with ABB products, simply by defining technical features
- The automatic user-friendly design process based on the list of devices simplifies one of the most complex design stages and avoids compatibility errors between products, assembly kits and busbar systems
- Effective product organization with tree views, so that the user can work methodically, view the relevant product immediately and define the switchboards with ease
- Availability of a dedicated module for busbar configuration

Well aware of market requirements, ABB now capitalizes on its experience and presents the new e-Design suite as a practical answer to every critical aspect of the design process.



www.abb.it/lowvoltage

The ABB SACE website will help you in your daily work with an innovative approach to the world of low voltage electrical installations and industrial automation.

e-Design

e-Design suite is structured with integrated functional modules, allowing it to support all planning stages of an electrical installation. All solutions are studied in detail, from electrical network dimensioning, to switchboard configuration, through to the final cost estimate stage.

The registration procedure is very easy and, once completed, you can immediately download installers and upgrades.



- DOC** Electrical Installation Dimensioning
- EDS** Switchboard Configuration
- PDC** Switchboard Engineering
- CAT** Product Selection and Configuration

The suite's appealing and brand-new look, combined with general optimization of the functions that have always characterized ABB software, make it an innovative tool, up to date with the technologies currently available in the sector.

After only a brief introduction, the user can already design, calculate, archive and perform project planning. No special CAD skills are required. Software operation is based on dialog boxes. The user is led through the program.

ABB SACE Division and its environmental protection commitment

Among the enterprises belonging to the Group, ABB SACE is in the forefront when it comes to dedicating consistent resources to its sustainable development and environmental protection goals. A policy confirmed by acquisition of ISO 9001 quality certification and ISO 14001 environmental management system certification by all the corporate plants as well as Integrated Quality, Environment, Safety Management System certification for the majority of business units.

Each of these goals and tasks is the result of a farsighted decision to adopt environmental policies and methods for reducing environmental impact. Already a leading enterprise as to the quality of its products, ABB SACE is also a pacesetter in Italy with regard to these issues.

Indeed, all the corporate divisions actively pursue policies for environmental management improvement implemented by rationalizing the use of raw materials and energy, preventing pollution, monitoring air and water quality, reducing noise emissions and the waste created by the production processes as well as conducting regular environmental audits with the major suppliers.

Thanks to use of analysis tools like LCA (Life Cycle Analysis), assessment and improvement of the environmental performance of the entire life cycle of the products is included in ABB SACE's design engineering work right from the very start. This with a view to optimizing the technical and energy performance, controlling and reducing environmental impact during the manufacturing phase and allowing the product end of life management process to be defined.



ABB: quality of the certified product

ABB dedicates consistent resources for the purpose of attaining its quality and environmental protection goals, as testified by the following certifications obtained by the company:



Introduction

Stainless steel enclosures for automation

Functionality and hygiene in the new range of ABB cabinets

1

A new solution for specific applications in food, chemical and pharmaceutical sectors.

The ABB range of metal structures for automation was conceived and designed based on many years of experience working alongside the major switchboard and machine manufacturers in Italy and in the most industrialised and technological world markets.

Now, the range is enhanced with the new AISI 304 stainless steel structures, to guarantee all sectors requiring them high standards in terms of hygiene and corrosion resistance.

Performance complies with market requirements and guarantees high degrees of protection (IP66), NEMA 4X (UL Normative)* and strength (IK10 for metal structures with opaque door): these characteristics allow installation in most industrial environments in the reference sectors, such as the food industry in its various applications, the chemical sector and the pharmaceutical and hospital sector.

While the new ABB enclosures for automation are the most advanced currently available on the market, the stainless steel automation equipment is synonymous with technological innovation. The stainless steel enclosures for automation are, of course, integrated with the various ABB control and operating apparatuses, and all electrical values (dissipation, short-time withstand currents, insulation distances, etc.) and mechanical values have been analysed and checked by the manufacturer.

They also offer a high level of preparation for assembly of the apparatuses, with optimised hole drilling, fixings and overall dimensions. All of this to save you time and money!

In fact, stainless steel is suitable for the most diverse situations: temperature changes are no obstacle, nor is resistance to various types of external actions (heat sources and naked flames, UV rays, electromagnetic waves and other types of mechanical stresses).



* For SRX enclosures or AMX cabinets with single door. ISX IP66, Type 1,12 and AMX with double door IP66, Type 1

Resistance to the corrosive action of external agents is guaranteed by the natural properties of stainless steel, making the metal structures suitable for installation outdoors and in special conditions.

Outdoor

Thanks to the special mechanical properties of stainless steel, the new range of enclosures can be installed outdoors.

Hygiene

Easy cleaning of this material makes it suitable for use in environments requiring high levels of hygiene.

The safety provided by a certified product

By law all products must conform both to European Directives and to the reference product Standards, but ABB goes further. We prefer an external organisation to certify the quality of our products, especially regarding the more critical aspects both in technical and application terms.

All products in the stainless steel range are UL approved to also meet the requirements of markets where this mark is compulsory.

The technical characteristics and high degree of protection allow their use in standard industrial environments. In fact, the enclosures conform to the ATEX 99/92/EC and 94/9/EC Directive (suitable for use in zones 2 and 22).



Stainless steel enclosures for automation

Functionality and hygiene in the new range of ABB cabinets

1

Thanks to years of experience ABB brings you the range of stainless steel cabinets and enclosures for automation, enhancing the range of sheet metal enclosures already available.

The ABB stainless steel range includes:

- AMX monobloc cabinets (with opaque door or glass door)
- ISX modular cabinets (with opaque door or glass door)
- SRX enclosures (with opaque door or glass door)

SRX enclosures always conform to IEC EN 62208 and to IEC 61439-1-2, have a degree of protection IP66 (IEC EN 60529) and NEMA 4X (UL standard). The degree of protection against external mechanical impacts is IK10 for the version with opaque door and IK09 for the version with glass door (IEC 62262). The AISI 304 stainless steel means that the cabinets can be fitted both indoors and outdoors, by fixing them to the floor or to a wall. AISI 304 stainless steel enclosures with opaque door, usually intended for making enclosures for automation, are supplied with the galvanised sheet metal internal plate and do not have cable entry flanges. AISI 304 stainless steel enclosures with glass door can also be used for distribution configurations.

Alternatively, the internal equipment is made by selecting special kits (Distribution Kit) consisting of a pair of functional uprights for assembly of the AISI 304 stainless steel modular panels (to be ordered separately) and any compensation panels. The modular panels, which can also be installed on the enclosures with opaque door using the same KD Kit, are all hinged and have vertical modularity of 185 mm.

AMX monobloc cabinets have a degree of protection IP66 (IEC eN 60529) and NEMA 4X* (UL standard). Accessories for AMX monobloc cabinets, ISX modular cabinets and SRX enclosures include both AISI 304 stainless steel components and standard mountable code items also found in the current automation catalogue.

For AMX monobloc cabinets, for example we supply: standard mounting plate, kit for recessing mounting plate, partial height mounting plate, side crosspieces H=100/48 mm, opposite mounting plate, DIN rails kit, opaque apparatus holder back plates, door anti-closure device, lifting eyebolts, horizontal partition panels, position switch, lamps, voltage detector devices, door reinforcement profiles, shaped sections for accessories, cable anchoring brackets and sliding rails.



* For AMX cabinets with single door. AMX with double door IP66, Type 1

Thanks to its special corrosion resistance, AISI 304 stainless steel is suitable for use in environments requiring high standards of hygiene, for example in the food, chemical and pharmaceutical sectors.

ISX modular cabinets also conform to IEC EN 62208 and IEC 61439-1-2. The ISX range passed cabinet vibrations tests according to IEC 60068-2-57 and seismic tests according to IEE Std 693. ISX modular cabinets have a degree of protection IP66 (IEC EN 60529) and NEMA Type 1, 12 (UL standard).

The degree of protection against external mechanical impacts is IK10 for the version with opaque door and IK09 for the version with glass door (IEC 62262).

Available with opaque door or glass door, they have a structure with removable roof, complete with opaque door and rear panel, fixed cable entry flanges, plinth H=100 mm made up of four angular parts and can be completed with plinth flanges and side panels. Available in two heights, H=1800 mm and H=2000 mm, with a double doors version (only opaque) with width W=1200 mm.

SRX enclosures can be equipped with: standard plates, clip nuts, spacers, slotted internal plate, accessories for stacking, DIN rails and fixing brackets, shaped sections for accessories on doors, closing systems.

Accessories for AMX monobloc cabinets, ISX modular cabinets and SRX enclosures include both AISI 304 stainless steel components and standard mountable code items also found in the current automation catalogue.

For AMX monobloc cabinets, for example we supply: standard mounting plate, kit for recessing mounting plate, partial height mounting plate, side crosspieces H=100/48 mm, opposite mounting plate, DIN rails kit, opaque apparatus holder back plates, door anti-closure device, lifting eyebolts, horizontal partition panels, position switch, lamps, voltage detector devices, door reinforcement profiles, shaped sections for accessories, cable anchoring brackets and sliding rails.

For ISX modular cabinets the following are available: horizontal reinforcement sections for door, folding shelves for door, door anti-closure device, standard back plate and relative recessing/joining/reinforcement kits, oversized back plate and relative joining/reinforcement kits, tracks for plate lateral insertion, opposite mounting plate, partial back plate, crosspieces H=48/100 mm, crosspieces for base, transformer holder crosspieces, connector holder panel, vertical/horizontal partition panels, horizontal/vertical busbar segregations, DIN uprights, apparatus holder back plate, standard back plate for bench cabling, lifting eyebolts/brackets, lamps, voltage detector devices, position switch.

SRX enclosures can be equipped with: standard plates, clip nuts, spacers, slotted internal plate, accessories for stacking, DIN rails and fixing brackets, shaped sections for accessories on doors, closing systems.



Instruction manuals

Detailed multi-language instruction manuals, including drawings, show the correct way to assemble the structures and the components inside them. User compliance with manufacturer instructions allows the set-up of correctly selected and assembled electrical enclosures which conform to the new 61439-1-2 (CEI 17/13-1) in accordance with the European Community Low Voltage Directive (Directive 2006/95/EC which substitutes 73/23/EEC and subsequent amendments).

SRX enclosures

SRX enclosures

General characteristics	2/2
Selection of the structure	2/4
Ordering codes	2/5

SRX enclosures

General characteristics and applications

The AISI 304 stainless steel used allows the cabinets to be installed either indoors or outdoors, by fixing to the floor or a wall. AISI 304 stainless steel enclosures with opaque door, usually intended for making enclosures for automation, are supplied with the galvanised sheet metal internal plate and do not have cable entry flanges.

2

SRX enclosures always conform to IEC EN 62208 and to IEC 61439-1-2, have a degree of protection IP66 (IEC EN 60529) and NEMA 4X (UL standard). The degree of protection against external mechanical impacts is IK10 for the version with opaque door and IK09 for the version with glass door (IEC 62262).

AISI 304 stainless steel enclosures with glass door can also be used for distribution configurations. Alternatively, the internal

equipment is made by selecting special kits (Distribution Kit) consisting of a pair of functional uprights for assembly of the AISI 304 stainless steel modular panels (to be ordered separately) and any compensation panels. The modular panels, which can also be installed on the enclosures with opaque door using the same KD Kit....X, are all hinged and have vertical modularity of 185 mm.



SRX enclosures can be equipped with: standard plates, clip nuts, spacers, slotted internal plate, accessories for stacking, DIN rails and fixing brackets, shaped sections for accessories on doors, closing systems.



Spray protection roof
Improves protection against infiltration by liquids and accidental sprays. Made of AISI 304 stainless steel.



Distribution kit
All apparatuses and modular circuit breakers can be installed on a DIN rail combined with a modular panel.


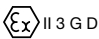


Stacking
SRX enclosures can be stacked using the special kit. The plinth with removable flanges is made of 25/10 thick AISI 304 stainless steel.



Closing box
A new Ø19mm closing box made of chrome-finished plastic with double tongue key.

Technical characteristics

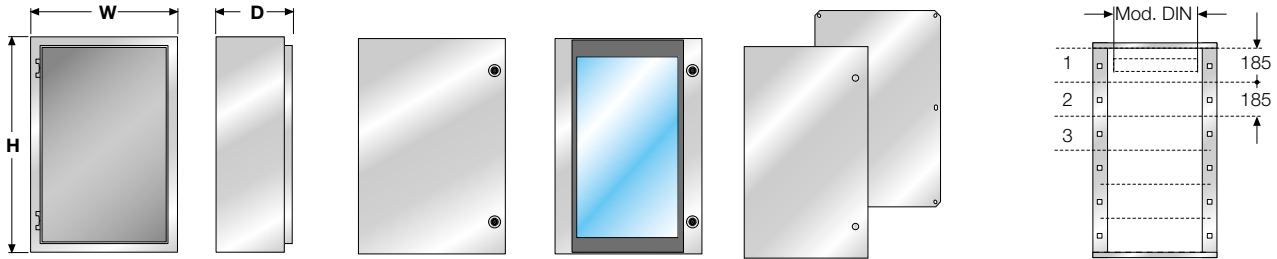
Conforms to	CEI EN 62208, IEC 61439-1-2
Degree of protection	IP66 (CEI EN 60529) NEMA 4X (UL standard)
Degree of mechanical protection	IK10 opaque door IK09 glass door (IEC 62262)
Certifications	 
Type of material	AISI 304
Installation site	indoors/outdoors
Fixing method	floor/wall
Normal operating conditions - ambient temperature	from -5 to +55°C

SRX enclosures

Selection of the structure

Rapid selection table

2

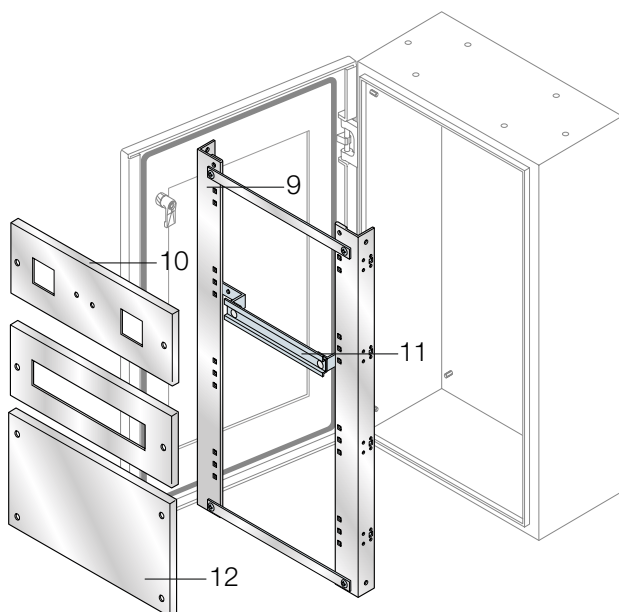
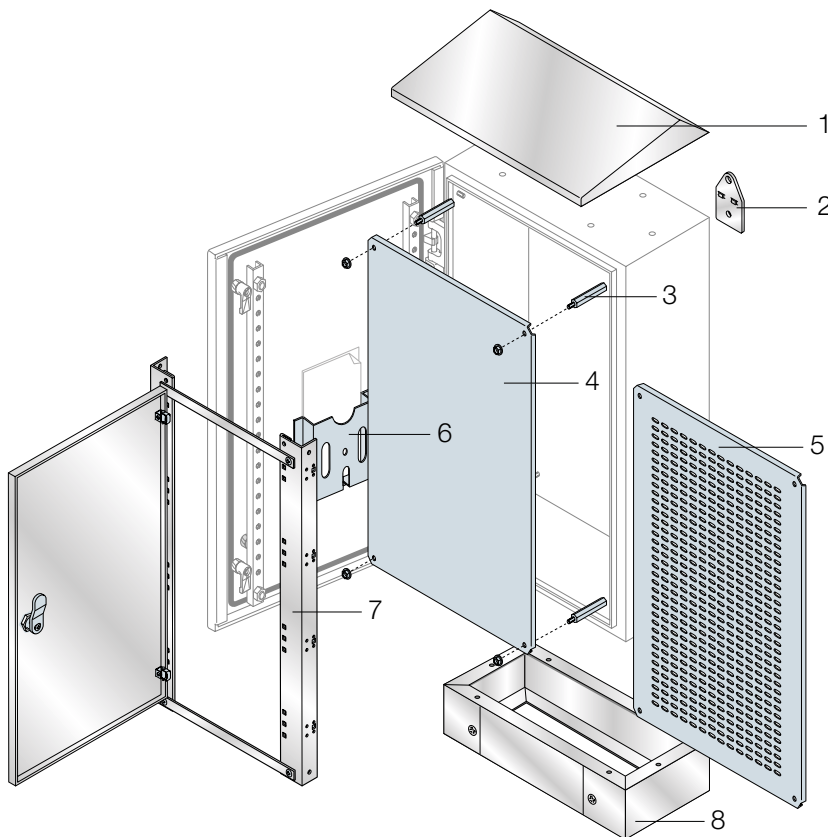


Overall dimensions					Automation kit		Distribution kit Supports for mounting modular panels			
H mm	W mm	D mm	Enclosures with opaque door + mounting plate	Enclosures with transparent door ¹	Opaque inner door IP20	Opaque plate	No. of vertical mod. H=185mm	No. of DIN mod. per row	Total modules	DIN supports
300	200	150	SRN3215X			PF3020				
	400	150	SRN3415X			PF3040				
400	300	150	SRN4315X		KC4030X	PF4030				
		200	SRN4320X							
	400	200	SRN4420X			PF4040				
500	400	200	SRN4620X			PF4060				
		200	SRN5420X	SRN5420VX	KC5040X	PF5040	2	14	28	KD5040X
		200	SRN5520X			PF5050				
600	400	200	SRN6420X	SRN6420VX	KC6040X	PF6040	3	14	42	KD6040X
		200	SRN6620X							
	600	300	SRN6630X			PF6060				
700	500	250	SRN7525X	SRN7525VX	KC7050X	PF7050				
		200	SRN8620X					25	100	
	600	250		SRN8625VX	KC8060X	PF8060	4	25	100	KD8060X
		300	SRN8630X					25	100	
800	800	300	SRN8830X			PF8080				
		300	SRN10830X	SRN10830VX	KC1080X	PF1080	5	36	180	KD1080X
1000	600	300	SRN12630X			PF1260				
		300	SRN12830X			PF1280				

¹ Mounting plate to be ordered separately.

SRX enclosures

Ordering codes

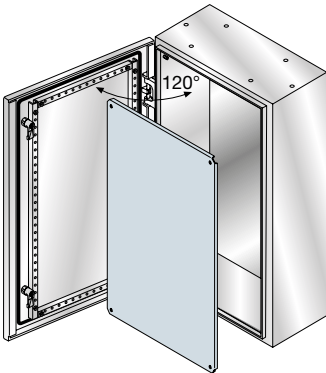


1	Spray protection roof	
Page.....		2/12
2	Wall-mounting brackets	
Page.....		2/9
3	Spacers for back plates	
Page.....		2/8
4	Opaque internal plate	
Page.....		2/7
5	Slotted internal plate	
Page.....		2/8
6	Document pocket	
Page.....		5/8
7	Opaque inner door	
Page.....		2/7
8	Plinth	
Page.....		2/10
9	Frame for DIN rail	
Page.....		2/10
10	Modular panels for apparatuses	
Page.....		2/11
11	DIN rail	
Page.....		2/12
12	Opaque modular panels	
Page.....		2/11

SRX enclosures

Ordering codes

2

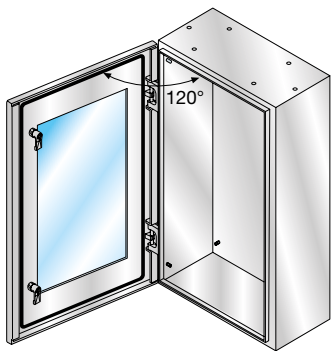


SRX series enclosures with opaque door (internal plate included)

Enclosures with an opaque door, made of AISI 304 stainless steel, usually intended for producing enclosures for automation, come supplied with the galvanised sheet metal internal plate and do not have cable entry flanges.

Enclosures with opaque door complete with internal mounting plate

Dimensions (mm)			Code	Package/ No. of pieces
H	W	D		
300	200	150	SRN3215X	1/1
	400		SRN3415X	1/1
400	300	150	SRN4315X	1/1
	300		SRN4320X	1/1
	400	200	SRN4420X	1/1
	600		SRN4620X	1/1
500	400	200	SRN5420X	1/1
	500		SRN5520X	1/1
600	400	200	SRN6420X	1/1
	600		SRN6620X	1/1
	600	300	SRN6630X	1/1
700	500	250	SRN7525X	1/1
	600		SRN8620X	1/1
800	600	300	SRN8630X	1/1
	800		SRN8830X	1/1
	1000	800	300	SRN10830X
1200	600	300	SRN12630X	1/1
	800		SRN12830X	1/1



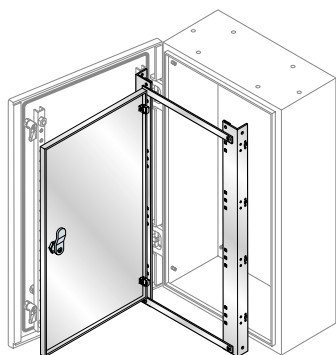
SRX series stainless steel enclosures with transparent door

AISI 304 stainless steel enclosures with a glass door can also be used for distribution configurations. The internal equipment is set up using the relevant kits:

- KD...X (Distribution Kit) consisting of a pair of functional uprights for assembly of the modular panels made of AISI 304 stainless steel (to be ordered separately) and of any compensation panels. The modular panels, which can also be installed on the enclosures with opaque door using the KD kit, are all hinged and have vertical modularity of 185 mm. The enclosures with see-through door are provided without mounting plate.

Enclosures with transparent door

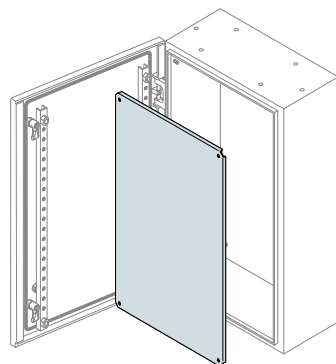
Dimensions (mm)			Code	Package/ No. of pieces
H	W	D		
500	400	200	SRN5420VX	1/1
600	400		SRN6420VX	1/1
700	500	250	SRN7525VX	1/1
800	600		SRN8625VX	1/1
1000	800	300	SRN10830VX	1/1



Opaque inner door

The inner door guarantees a degree of protection of IP20. Made of 15/10 thick AISI 304 stainless steel, complete with box and double tongue insert.

Opaque inner door				
Dimensions (mm)				
H	W	Code		Package/ No. of pieces
400	300	KC4030X		1/1
500	400	KC5040X		1/1
600		KC6040X		1/1
700	500	KC7050X		1/1
800	600	KC8060X		1/1
1000	800	KC1080X		1/1



Opaque internal mounting plate

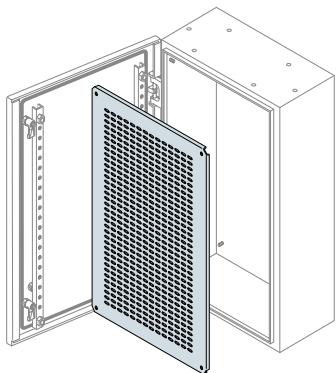
20/10 thick galvanised sheet metal internal plate, complete with fixing with small parts supplied. Depth-adjustable using a special spacer kit (to be ordered separately).

Opaque internal mounting plate				
Dimensions (mm)				
H	W	Code		Package/ No. of pieces
300	200	PF3020		1/1
300	400	PF3040		1/1
400	300	PF4030		1/1
400	400	PF4040		1/1
400	600	PF4060		1/1
500	400	PF5040		1/1
500	500	PF5050		1/1
600	400	PF6040		1/1
600	600	PF6060		1/1
700	500	PF7050		1/1
800	600	PF8060		1/1
800	800	PF8080		1/1
1000	800	PF1080		1/1
1200	600	PF1260		1/1
1200	800	PF1280		1/1

SRX enclosures

Ordering codes

2

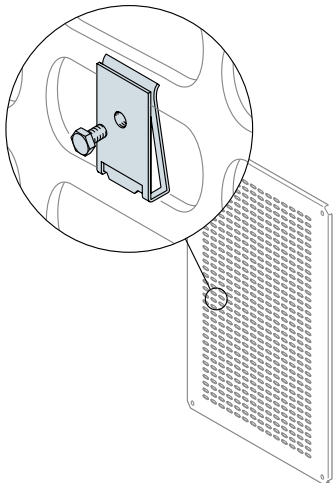


Slotted internal plate

Fixing with small parts supplied. Depth-adjustable using a special spacer kit (to be ordered separately).

Piastra interna asolata

Dimensions (mm)		Code	Package/ No. of pieces
H	W		
300	200	TQ3020	1/1
300	400	TQ3040	1/1
400	300	TQ4030	1/1
400	400	TQ4040	1/1
400	600	TQ4060	1/1
500	400	TQ5040	1/1
600	400	TQ6040	1/1
600	600	TQ6060	1/1
700	500	TQ7050	1/1
800	600	TQ8060	1/1
800	800	TQ8080	1/1
1000	800	TQ1080	1/1
1200	600	TQ1260	1/1
1200	800	TQ1280	1/1



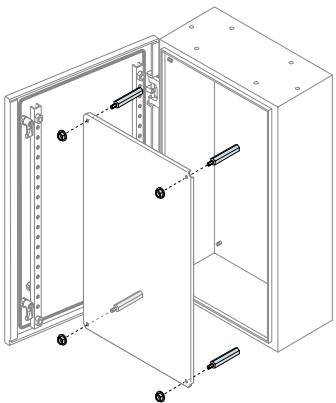
Clip nuts

For slotted plates with M6x10mm hexagonal head screws.

Description	Code	Package/ No. of pieces
Clip nuts	TQ6610	1/20

Spacer kit for adjusting back plate depth

Kit made up of 12 spacers for fixing the mounting plate. Allows depth adjustment in 25 mm steps.

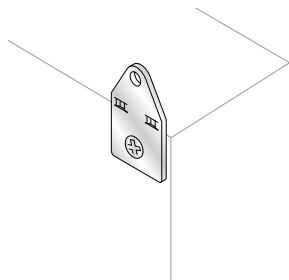


Description	Code	Package/ No. of pieces
Spacers, length 25 mm	AA8025	1/12
Spacers, length 50 mm	AA8050	1/12

> Rapid selection table page 2/4

> In-depth technical information page 6/1

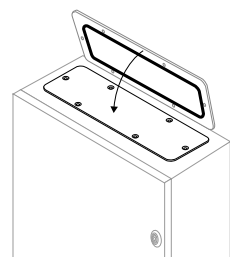
> Overall dimensions page 7/1



Wall-mounting brackets

Allow enclosures to be wall-mounted and are fitted using the special holes located on the back of the enclosures. Made of 30/10 thick AISI 304 stainless steel.

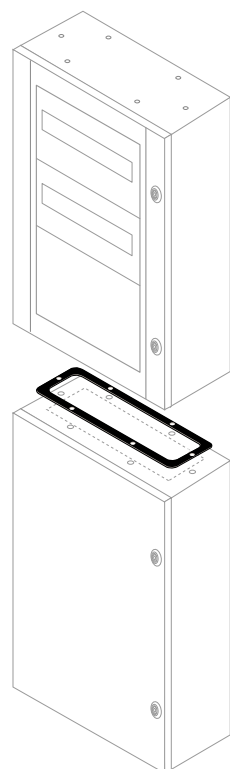
Description	Code	Package/ No. of pieces
No. 4 wall-mounting brackets	AA1206X	1/4



Fairlead plates

Fairlead plates in 25/10 thick AISI 304 stainless steel with polyurethane gasket.

Description	Dimensions (mm)		Code	Package/ No. of pieces
	W	D		
Fairlead plate) for SRN3215X	200	150	FLN3215X	1/1
Fairlead plate for SRN4315X	300	150	FLN4315X	1/1
Fairlead plate for SRN3415X	400	150	FLN3415X	1/1
Fairlead plate for SRN4320X, SRN4320VX	300	200	FLN4320X	1/1
Fairlead plate for SRN4420X, SRN5420X, SRN6420X, SRN5420VX, SRN6420VX	400	200	FLN4420X	1/1
Fairlead plate 500x200mm for SRN5520X	500	200	FLN5520X	1/1
Fairlead plate) for SRN4620X, SRN6620X, SRN8620X	600	200	FLN4620X	1/1
Fairlead plate for SRN7525X, SRN7525VX	500	250	FLN7525X	1/1
Fairlead plate for SRN8625VX	600	250	FLN8625X	1/1
Fairlead plate for SRN6630X, SRN8630X, SRN12630X	600	300	FLN6630X	1/1
Fairlead plate for SRN6830X, SRN8830X, SRN10830X, SRN12830X, SRN10830VX	800	300	FLN6830X	1/1



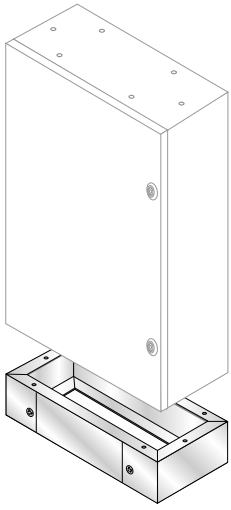
Accessories for stacking

Dimensions (mm)		Code	Package/ No. of pieces
W	D		
IP65 gasket			
400	200	GZ4020	1/1
500	200	GZ5020	1/1
	250	GZ5025	1/1
600	200	GZ6020	1/1
	250	GZ6025	1/1
	300	GZ6030	1/1
800	300	GZ8030	1/1

SRX enclosures

Ordering codes

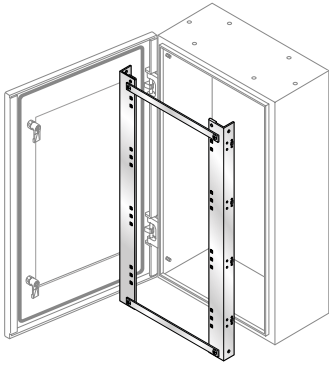
2



Plinth

25/10 thick AISI 304 stainless steel plinth.

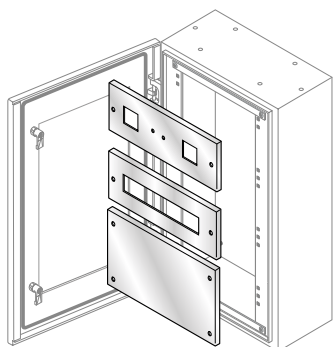
Plinth						
Dimensions (mm)			Code			Package/ No. of pieces
H	W	D				
100	400	200	ZA4020X			1/1
100	500	200	ZA5020X			1/1
100		250	ZA5025X			1/1
100	600	200	ZA6020X			1/1
100		300	ZA6030X			1/1
100	800	300	ZA8030X			1/1



Frame for DIN rail

Internal supports for fixing modular panels and DIN rails, with compensation panels, made of AISI 304 stainless steel.

Description	Dimensions (mm)		Code			Package/ No. of pieces
	H	W				
Supports for 14 DIN mod. x 2 rows	500	400	KD5040X			1/1
Supports for 14 DIN mod. x 3 rows	600	400	KD6040X			1/1
Supports for 25 DIN mod. x 4 rows	800	600	KD8060X			1/1
Supports for 36 DIN mod. x 5 rows	1000	800	KD1080X			1/1



Screwed modular panels

12/10 mm thick AISI 304 stainless steel modular panels. The screwed modular panels can be fitted on the enclosures using the special kit (KD...) consisting of functional uprights and a compensation panel.

Each modular panel (PM) comes equipped with a DIN rail (depth-adjustable), fixing brackets and the relative small parts. Tmax modular and moulded-case circuit breakers up to T3 can be positioned side by side on the same DIN rail using the special depth adapter AP 6001. To install MCCBs, fix the DIN rail in the recessed position. The DIN rail fixing brackets allow mounting of the wiring duct up to a maximum size of 60 x 60 mm.

Stainless steel screwed modular panels for DIN rail (including DIN rail and fixing brackets)

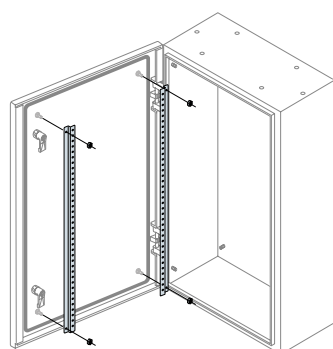
Description	Dimensions (mm)		Code	Package/ No. of pieces
	H	W		
14 DIN mod. + fixing bracket	185	400	PM1414X	1/1
25 DIN mod. + fixing bracket	185	600	PM1625X	1/1
36 DIN mod. + fixing bracket	185	800	PM1836X	1/1

Stainless steel screwed modular panels for measuring instruments

Description	Dimensions (mm)		Code	Package/ No. of pieces
	H	W		
2 instruments 72 x 72mm	185	400	PS2476X	1/1
2 instruments 72 x 72mm	185	600	PS2676X	1/1
2 instruments 72 x 72mm	185	800	PS2876X	1/1

Stainless steel opaque screwed modular panels

Description	Dimensions (mm)		Code	Package/ No. of pieces
	H	W		
Opaque panel	185	400	PC1406X	1/1
Opaque panel	185	600	PC1606X	1/1
Opaque panel	185	800	PC1806X	1/1
Opaque panel	370	600	PC2606X	1/1
Opaque panel	370	800	PC2806X	1/1



Shaped sections for accessories

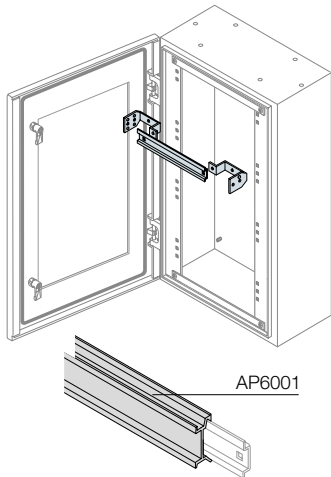
Allow fixing of accessories (e.g.: wiring ducts) inside the blind doors. Consist of a pair of vertical crosspieces made of 15/10 thick white galvanised sheet metal, pre-drilled with 25 mm pitch. In enclosures with height 1000 and 1200 mm with a blind door, the shaped sections are already supplied.

Description	Dimensions (mm)		Code	Package/ No. of pieces
	H	W		
Shaped sections for door	600		TS6009	1/2
Shaped sections for door	700		TS7009	1/2
Shaped sections for door	800		TS8009	1/2

SRX enclosures

Ordering codes

2

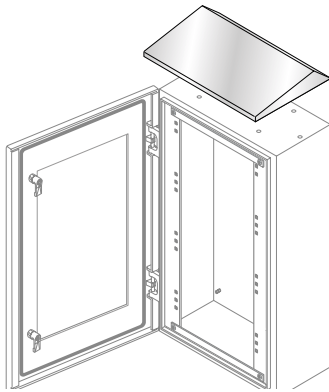


DIN rail and fixing brackets

Descrizione	No. modules	W (mm)	Code	Package/ No. of pieces
DIN rail and fixing brackets	14	400	GD4006	1/1
DIN rail and fixing brackets	25	600	GD6006	1/1
DIN rail and fixing brackets	36	800	GD8006	1/1
Depth adapter				
No.1 depth adapter for Tmax T1-T2-T3-XT1-XT3 W=600mm			AP6001	1/4

Spray protection roof

Improves protection against infiltration by liquids and accidental sprays.
Made of 15/10 thick AISI 304 stainless steel.

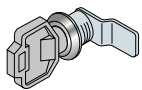


Spray protection roof

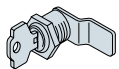
Dimensions (mm)			Package/ No. of pieces
W	D	Code	
200	150	TT2015X	1/1
300	150	TT3015X	1/1
400	150	TT4015X	1/1
300	200	TT3020X	1/1
400	200	TT4020X	1/1
500	200	TT5020X	1/1
600	200	TT6020X	1/1
500	250	TT5025X	1/1
600	250	TT6025X	1/1
600	300	TT6030X	1/1
800	300	TT8030X	1/1

Closing systems

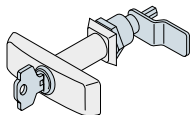
May substitute standard fasteners for the external doors.



AA8001X



AA8002



AA8003



EV1008

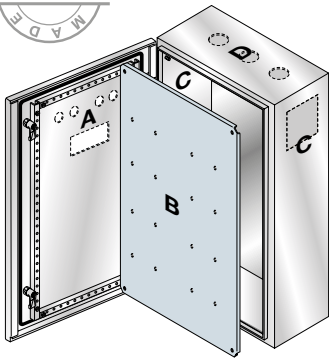
Description	Code	Package/ No. of pieces
Box Ø19mm double tongue made of chrome-finished plastic and key for external door	AA8001X	1/1
Box Ø19mm with safety insert and Yale type key for external door	AA8002 ⁽¹⁾	1/1
Box Ø19mm with handle and Yale type key for external door	AA8003 ⁽¹⁾	1/1
Box Ø19mm with triangular insert for external door	AA5200 ⁽¹⁾	1/1
Plastic key for triangular insert AA5200 for external door	AA5190	1/1
Box with double tongue insert made of plastic with key for inner door	EV1008	1/1
Single code Yale insert for inner door	EV1036	1/1
Ronis 455 insert for inner door	EV1037	1/1
3mm double tongue insert for inner door	EV1039	1/1

⁽¹⁾ Only for external door

> Rapid selection table page 2/4

> In-depth technical information page 6/1

> Overall dimensions page 7/1



Special Drilling Service

The overprice amount depends on the number of individual drilled parts and not on the number of holes. For single part it means: A-door B-plate; C-housing; D-top/bottom part.

Please note that the minimum quantity is 10 pieces with a single code. The price of the special drilling service depends on the number of parts to be drilled and on the amount of enclosures to be drilled.

Description	Code	No. of enclosures to be drilled
Extra cost for drilling service per individual drilled part (A-B-C-D)	FORSRX	≥ 10

The special drilling service for standard size enclosures in quantities equal to or greater than 10 units with a single code has to be managed with code SRN ... SPEC + overprice FORSR/FORSR1/FORSSR2 (see table) equal to the number of enclosures and the number of parts to be drilled + hole layout to be attached to the order (see useful drilling areas, page 7/28)

Example: **SRN4320XSPEC 10**
FORSRX 10

Example: **Enclosure (10 pcs) with door and plate to be drilled (2 parts)**

SRN4320XSPEC 10
FORSRX 20

DRAWINGS TO BE ATTACHED

Non-standard enclosure sizes, special drilling

Request feasibility of implementation by completing the relevant Form for special quotations and send it together with the drill layout to the R&D ECS office. Management is per offer.

If the offer is accepted and after having received it, it will be possible to place the order with the codes indicated in the offer.



Painting Special Service

Request feasibility of implementation by completing the relevant Form for special quotations and send it to the R&D ECS office. Management is per offer.

If the offer is accepted and after having received it, it will be possible to place the order with the codes indicated in the offer.

SRX enclosures

Ordering codes

Spare parts

Description	Code	Package/ No. of pieces
Stainless steel screws (No. 16 screws, flanged nuts and nylon washers M6)	AA1203X	1/1
Opaque door 300x200mm (HxW)	PRN3026X	1/1
Opaque door 300x400mm (HxW)	PRN3046X	1/1
Opaque door 400x300mm (HxW)	PRN4036X	1/1
Opaque door 400x400mm (HxW)	PRN4046X	1/1
Opaque door 400x600mm (HxW)	PRN4066X	1/1
Opaque door 500x400mm (HxW)	PRN5046X	1/1
Opaque door 500x500mm (HxW)	PRN5056X	1/1
Opaque door 600x400mm (HxW)	PRN6046X	1/1
Opaque door 600x600mm (HxW)	PRN6066X	1/1
Opaque door 600x800mm (HxW)	PRN6086X	1/1
Opaque door 700x500mm (HxW)	PRN7056X	1/1
Opaque door 800x600mm (HxW)	PRN8066X	1/1
Opaque door 800x800mm (HxW)	PRN8086X	1/1
Opaque door 1000x800mm (HxW)	PRN1086X	1/1
Opaque door 1200x600mm (HxW)	PRN1266X	1/1
Opaque door 1200x800mm (HxW)	PRN1286X	1/1
Glass door 400x300mm (HxW)	PTN4036X	1/1
Glass door 500x400mm (HxW)	PTN5046X	1/1
Glass door 600x400mm (HxW)	PTN6046X	1/1
Glass door 700x500mm (HxW)	PTN7056X	1/1
Glass door 800x600mm (HxW)	PTN8066X	1/1
Glass door 1000x800mm (HxW)	PTN1086X	1/1

AMX monobloc cabinets

General characteristics and applications	3/2
Selection of the structure	3/4
Ordering codes	3/6

AMX monobloc cabinets

General characteristics and applications

The degree of mechanical protection against external impacts of AMX monobloc cabinets is IK10 for the version with blind door and IK09 for the version with glass door (IEC 62262).

AMX monobloc cabinets conform to IEC EN 62208 “Empty enclosures for low voltage switchgear and controlgear assemblies” and to IEC 61439-1-2 “Low-voltage switchgear and controlgear assemblies”, they have a degree of protection IP66 (IEC EN 60529) and NEMA 4X (UL standard)*. The AISI 304 stainless steel allows the cabinets to be fitted both indoors and outdoors, by fixing them to the floor. Whether they have a blind door or a glass door, the cabinets feature an AISI 304 stainless steel monobloc structure complete with non-removable side panels and roof, built-up cable entry flanges, reversible blind door, rear panel, plinth H=100 mm made up of four angled parts.

The range is completed with plinth flanges, mounting plate or other internal equipment available.

The supply is completed with a set of standard accessories for producing automation or distribution enclosures, such as: standard mounting plate, kit for recessing mounting plate, partial height mounting plate, side crosspieces H=100/48 mm, opposite mounting plate, DIN rail kit, blind apparatus holder back plates, door anti-closure device, lifting eyebolts, horizontal partition panels, position switch, lamps, voltage detector devices, door reinforcement profiles, shaped sections for accessories, cable anchoring brackets and sliding rails.



* For AMX cabinets with single door. For AMX cabinets with double door IP66, Type 1

Accessories for AMX monobloc cabinets include both AISI 304 stainless steel components and standard mountable code items also found in the current automation catalogue.


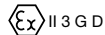


Plinths
Plinths with removable flanges made of AISI 304 stainless steel, with a hole for fixing to the floor.



Cable entry flanges
20/10 thick stainless sheet steel flanges. Sliding, built-up and fixed types.

Technical characteristics

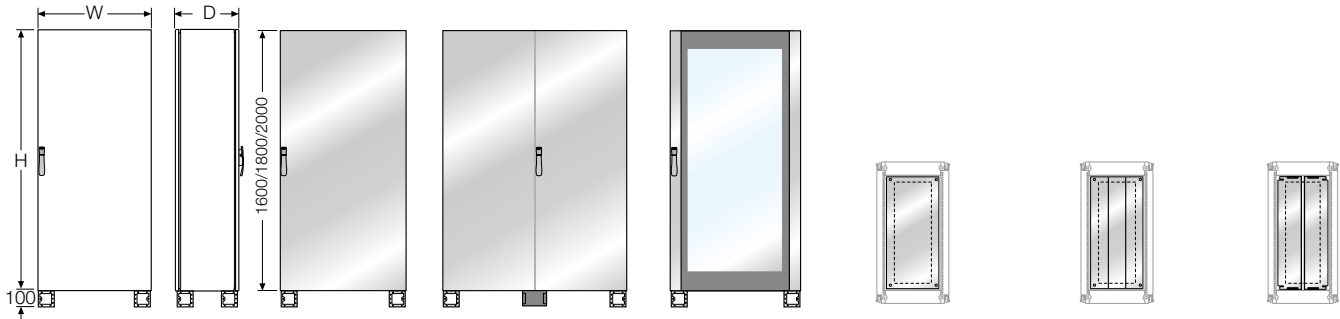
Conforms to	IEC EN 62208, IEC 61439-1-2
Degree of protection	IP66 (IEC EN 60529) NEMA 4X (UL standard)*
Degree of mechanical protection	IK10 blind door IK09 glass door (IEC 62262)
Certifications	 
Type of material	AISI 304
Installation site	indoors/outdoors
Fixing method	floor/wall
Normal operating conditions	
- ambient temperature	from -25 to +40°C

* For AMX cabinets with single door. For AMX cabinets with double door IP66, Type 1

AMX monobloc cabinets

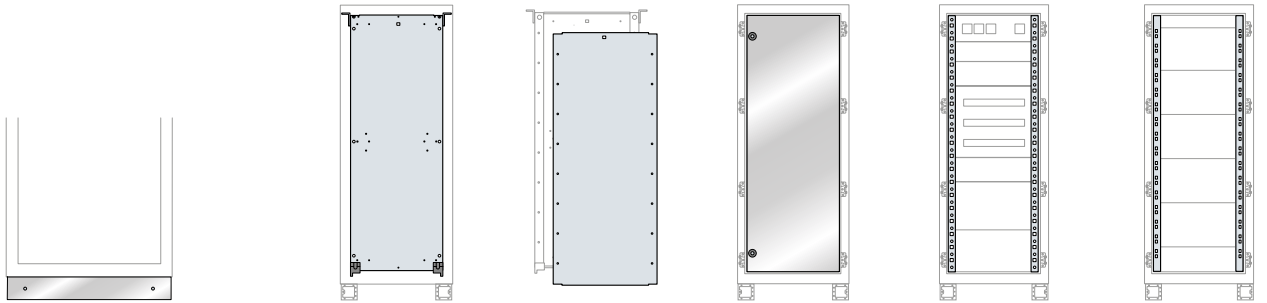
Selection of the structure

Rapid selection table



Overall dimensions			Cabinet with opaque door		Cabinet with glass door	Cable entry flanges		
H (*) mm	W mm	D mm	Single opaque door	Double opaque doors overlapping closure	Single glass door	Fixed	Modular	Sliding
1600	600	400	TM2664X			EF6045X	EF6044X	EF6040X
	800		TM2684X			EF8045X	EF8044X	EF8040X
1800	600	400	TM2864X		TM2864VX	EF6045X	EF6044X	EF6040X
		500	TM2865X		TM2865VX	EF6055X	EF6054X	EF6050X
	800	400	TM2884X		TM2884VX	EF8045X	EF8044X	EF8040X
		500	TM2885X		TM2885VX	EF8055X	EF8054X	EF8050X
	1000	400	TM2804X			EF1045X	EF1044X	EF1040X
		500			TM2805VX	EF1055X	EF1054X	EF1053X
	1200	400		TM2824X		2xEF6045X	2xEF6044X	2xEF6040X
		500		TM2825X		2xEF6055X	2xEF6054X	2xEF6050X
2000	600	400	TM2964X			EF6045X	EF6044X	EF6040X
		500	TM2965X		TM2965VX	EF6055X	EF6054X	EF6050X
	800	400	TM2984X			EF8045X	EF8044X	EF8040X
		500	TM2985X		TM2985VX	EF8055X	EF8054X	EF8050X
	1000	400	TM2904X			EF1045X	EF1044X	EF1040X
		500			TM2905VX	EF1055X	EF1054X	EF1053X
	1200	400		TM2924X		2xEF6045X	2xEF6044X	2xEF6040X
		500		TM2925X		2xEF6055X	2xEF6054X	2xEF6050X

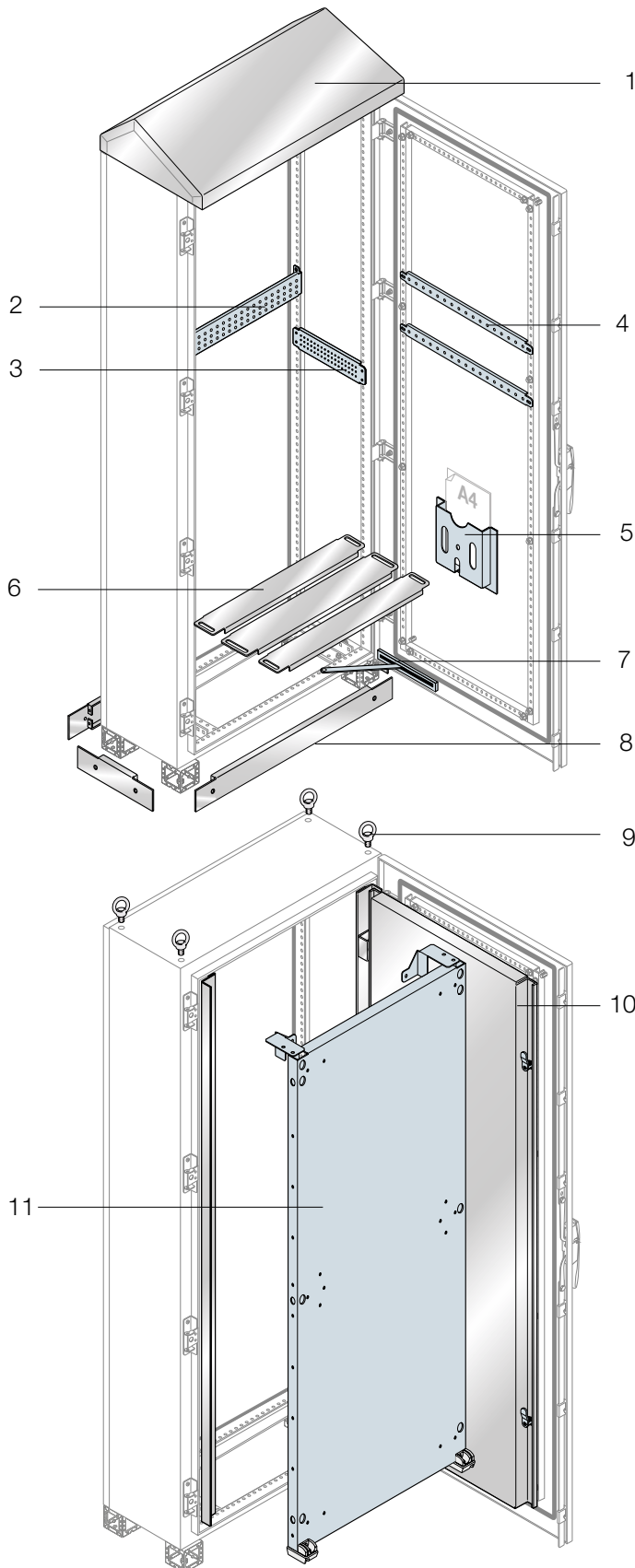
(*) The working height is always 100mm less than the external dimension of the enclosure to which the plinth dimension (H=100mm) must be added.



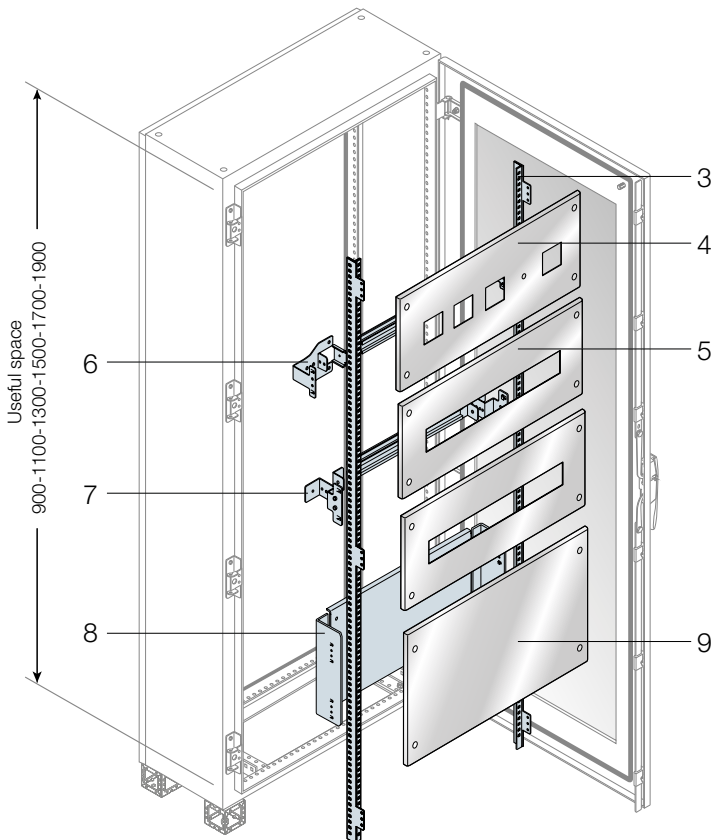
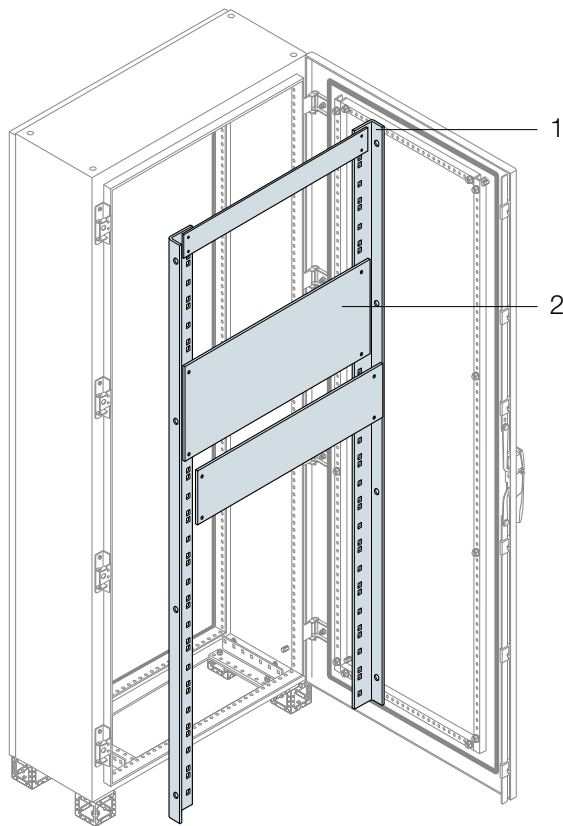
Plinth flanges		Galvanised sheet metal internal plates		Inner door	DIN rail uprights	19" rack frames
front/rear	side	Mounting plate	Opposite plate			
ZN6010X	ZN4011X	EA1616	EA5616	TF1660X	MD1600	TK1600
ZN8010X	ZN4011X	EA1619	EA5620	TF1680X		
ZN6010X	ZN4011X	EA1860	EA5861	TF1860X		
ZN6010X	ZN5011X	EA1860	EA5861	TF1860X	MD1800	TK1800
ZN8010X	ZN4011X	EA1880	EA5883	TF1880X		
ZN8010X	ZN5011X	EA1880	EA5883	TF1880X		
ZN1011X	ZN4011X	EA1810	EA5811	TF1810X		
ZN1011X	ZN5011X	EA1810	EA5811	TF1810X		
2xZN6010X	ZN4011X	EA1812				
2xZN6010X	ZN5011X	EA1812				
ZN6010X	ZN4011X	EA2060	EA5063	TF2060X	MD2000	TK2000
ZN6010X	ZN5011X	EA2060	EA5063	TF2060X		
ZN8010X	ZN4011X	EA2080	EA5083	TF2080X		
ZN8010X	ZN5011X	EA2080	EA5083	TF2080X		
ZN1011X	ZN4011X	EA2010	EA5011	TF2010X		
ZN1011X	ZN5011X	EA2010	EA5011	TF2010X		
2xZN6010X	ZN4011X	EA2012				
2xZN6010X	ZN5011X	EA2012				

AMX monobloc cabinets

Selection of the structure



1	Spray protection roof	Page..... 3/10
2	Crosspieces for back accessories	Page..... 3/12
3	Crosspieces for side accessories	Page..... 3/12
4	Door reinforcement profiles	Page..... 3/11
5	Document pocket	Page..... 5/8
6	Cable entry flanges	Page..... 3/9
7	Door anti-closure device	Page..... 3/17
8	Plinth covering flanges	Page..... 3/9
9	Lifting eyebolts	Page..... 3/17
10	Inner door	Page..... 3/12
11	Mounting plate	Page..... 3/11

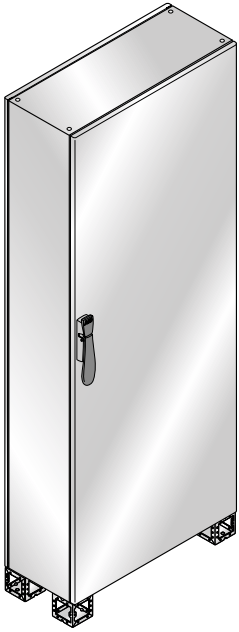


1	19" rack frame	
Page.....		3/16
2	Blind compensation panels	
Page.....		3/16
3	Uprights for DIN rail	
Page.....		3/13
4	Panels for measuring instruments	
Page.....		3/15
5	Panels for modular equipment	
Page.....		3/15
6	DIN rail kit 18/29 mod.	
Page.....		3/13
7	DIN rail kit 24/36 mod.	
Page.....		3/13
8	Blind apparatus holder back plate	
Page.....		3/15
9	Blind panels for apparatuses	
Page.....		3/14

AMX monobloc cabinets

Ordering codes

3

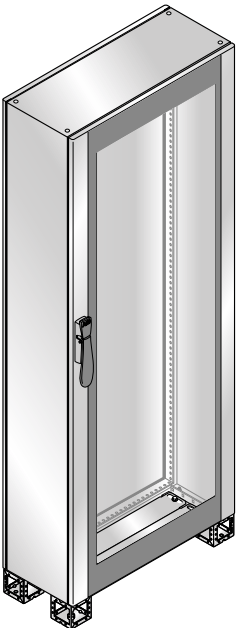


Cabinets with opaque door

AISI 304 stainless steel monobloc structure, complete with non-removable side panels and roof, built-up cable entry flanges, reversible opaque door, rear panel, plinth H=100mm made up of four angular parts. To be completed with plinth flanges and mounting plate or other internal equipment.

Cabinets with opaque door						
Dimensions (mm)						
H	W	D	Code		Price EUR	Package/ No. of pieces
1600	600	400	TM2664X			1/1
	800	400	TM2684X			1/1
1800	600	400	TM2864X			1/1
		500	TM2865X			1/1
	800	400	TM2884X			1/1
		500	TM2885X			1/1
	1000	400	TM2804X			1/1
	1200 ⁽¹⁾	400	TM2824X			1/1
500		TM2825X			1/1	
2000	600	400	TM2964X			1/1
		500	TM2965X			1/1
	800	400	TM2984X			1/1
		500	TM2985X			1/1
	1000	400	TM2904X			1/1
	1200 ⁽¹⁾	400	TM2924X			1/1
500		TM2925X			1/1	

⁽¹⁾ Version with double doors.



Cabinets with glass door

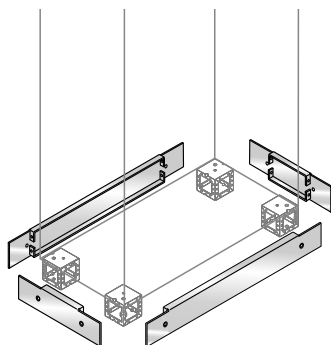
AISI 304 stainless steel monobloc structure complete with non-removable side panels and roof, built-up cable entry flanges, reversible glass door, rear panel, plinth H=100mm consisting of four angular parts. To be completed with plinth flanges and mounting plate or other internal equipment.

Cabinets with glass door						
Dimensions (mm)						
H	W	D	Code		Price EUR	Package/ No. of pieces
1800	600	400	TM2864VX			1/1
	800	400	TM2884VX			1/1
	600	500	TM2865VX			1/1
		500	TM2885VX			1/1
	1000	500	TM2805VX			1/1
2000	600	500	TM2965VX			1/1
	800	500	TM2985VX			1/1
	1000	500	TM2905VX			1/1

> Rapid selection table page 3/4

> In-depth technical information page 6/1

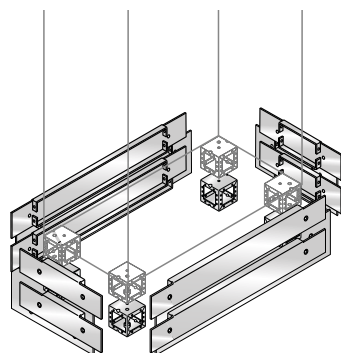
> Overall dimensions page 7/1



Plinth covering flanges

AISI 304 stainless steel removable flanges.

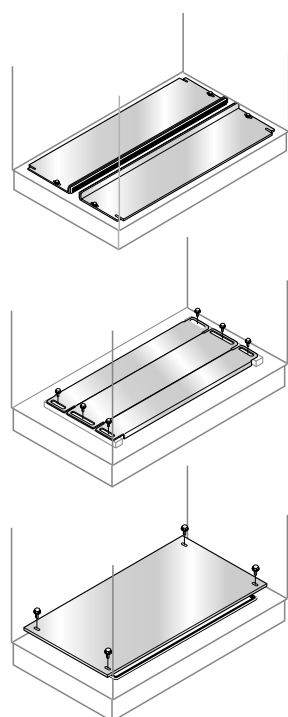
Description	Dimensions (mm)		Code	Price EUR	Package/ No. of pieces
	H	W			
Pair of flanges, front/back	100	600	ZN6010X		1/2
Pair of flanges, front/back		800	ZN8010X		1/2
Pair of flanges, front/back		1000	ZN1011X		1/2
Pair of side flanges	100	400	ZN4011X		1/2
Pair of side flanges		500	ZN5011X		1/2



Additional plinth

To obtain a plinth 200mm high, order an angular parts kit H=100mm to be completed with 2 covering flanges (H=100mm) for each side of the structure.

Description	Dimensions (mm)		Code	Price EUR	Package/ No. of pieces
	H				
4 angular parts	100		ZN1010X		1/4



Cable entry flanges

20/10 stainless sheet steel flanges. Sliding, built-up and fixed type.

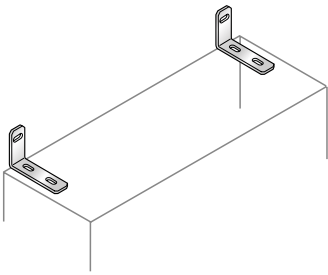
Description	Dimensions (mm)		Code	Price EUR	Package/ No. of pieces
	W	D			
Sliding cable entry flanges	600	400	EF6040X		1/1
Sliding cable entry flanges	800		EF8040X		1/1
Sliding cable entry flanges	1000		EF1040X		1/1
Sliding cable entry flanges	600	500	EF6050X		1/1
Sliding cable entry flanges	800		EF8050X		1/1
Sliding cable entry flanges	1000		EF1053X		1/1
Built-up cable entry flanges	600	400	EF6044X		1/1
Built-up cable entry flanges	800		EF8044X		1/1
Built-up cable entry flanges	1000		EF1044X		1/1
Built-up cable entry flanges	600	500	EF6054X		1/1
Built-up cable entry flanges	800		EF8054X		1/1
Built-up cable entry flanges	1000		EF1054X		1/1
Fixed cable entry flanges	600	400	EF6045X		1/1
Fixed cable entry flanges	800		EF8045X		1/1
Fixed cable entry flanges	1000		EF1045X		1/1
Fixed cable entry flanges	600	500	EF6055X		1/1
Fixed cable entry flanges	800		EF8055X		1/1
Fixed cable entry flanges	1000		EF1055X		1/1

For structures with W=1200mm order 2 x parts with W=600mm.

AMX monobloc cabinets

Ordering codes

3

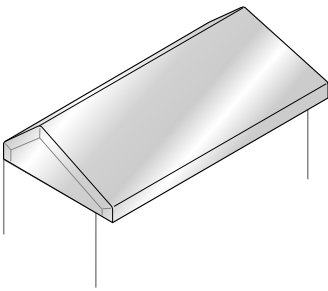


Wall-mounting brackets

For wall-mounting the more compact versions or versions designed for fixing to the floor.

Description	Code	Price EUR	Package/ No. of pieces
2 anti-tilting brackets	TA1207X		1/2

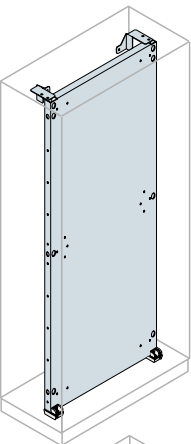
Note: for structures with W=1200mm order 2 x parts with W=600mm.



Spray protection roof

Improves protection against water sprays. Made of 15/10 stainless sheet steel.

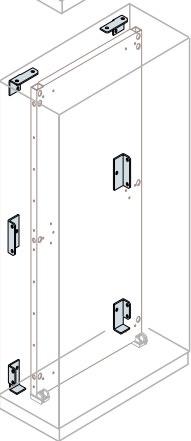
Description	Dimensions (mm)		Code	Price EUR	Package/ No. of pieces
	W	D			
Spray protection roof	600	400	TP6040X		1/1
Spray protection roof	600	500	TP6050X		1/1
Spray protection roof	800	400	TP8040X		1/1
Spray protection roof	800	500	TP8050X		1/1
Spray protection roof	1000	400	TP1040X		1/1
Spray protection roof	1000	500	TP1050X		1/1
Spray protection roof	1200	400	TP1240X		1/1
Spray protection roof	1200	500	TP1250X		1/1



Standard mounting plates

25/10 galvanised steel plates which can be inserted from the front and/or rear. Complete with supports for sliding and fixing.

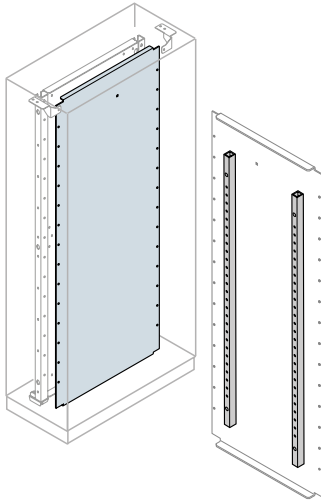
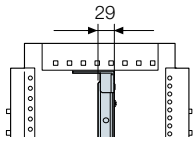
Description	Dimensions (mm)		Code	Price EUR	Package/ No. of pieces
	H	W			
Mounting plate	1600	600	EA1616		1/1
Mounting plate		800	EA1619		1/1
Mounting plate		1000	EA1610		1/1
Mounting plate		1200	EA1612		1/1
Mounting plate	1800	600	EA1860		1/1
Mounting plate		800	EA1880		1/1
Mounting plate		1000	EA1810		1/1
Mounting plate		1200	EA1812		1/1
Mounting plate	2000	600	EA2060		1/1
Mounting plate		800	EA2080		1/1
Mounting plate		1000	EA2010		1/1
Mounting plate		1200	EA2013		1/1



Kit for recessing mounting plates

Description	Code	Price EUR	Package/ No. of pieces
Kit for recessing mounting plate	EA5100		1/1

> Rapid selection table page 3/4 > In-depth technical information page 6/1 > Overall dimensions page 7/1



Opposite mounting plate

Mounting plate with extremely reduced overall dimensions in depth, able to mount components on both sides (front/rear). 25/10 galvanised steel plate which can be inserted from the front and/or rear depending on the cabinet width. Complete with support for sliding and fixing.

Description	Dimensions (mm)		Code	Price EUR	Package/ No. of pieces
	H	W			
Opposite plate	1600	600	EA5616		1/1
Opposite plate		800	EA5620		1/1
Opposite plate	1800	600	EA5861		1/1
Opposite plate		800	EA5883		1/1
Opposite plate		1000	EA5811		1/1
Opposite plate		1200	EA5822		1/1
Opposite plate	2000	600	EA5063		1/1
Opposite plate		800	EA5083		1/1
Opposite plate		1000	EA5011		1/1
Opposite plate		1200	EA5022		1/1

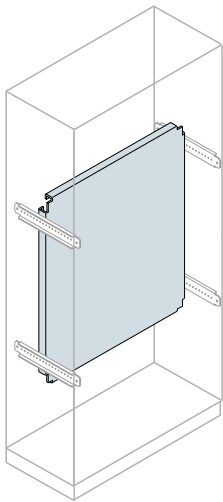
Reinforcements for opposite mounting plate

Description	Dimensions (mm)		Code	Price EUR	Package/ No. of pieces
	H	W			
2 reinforcements for opposite plate	1800		EA0018		1/2
2 reinforcements for opposite plate	2000		EA0020		1/2

For the mounting of the opposite mounting plate it is necessary to order also the standard mounting plate.

Partial height mounting plate

25/10 galvanised steel plate which can be inserted from the front and/or rear depending on the cabinet width. Fixed to the structure using the crosspieces H=48mm (TS....).

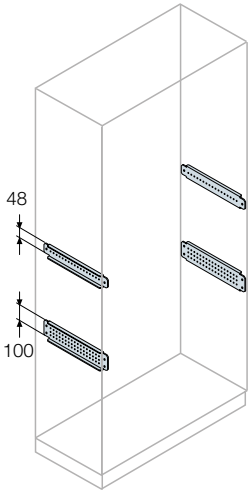


Description	Dimensions (mm)		Code	Price EUR	Package/ No. of pieces
	H	W			
Partial height mounting plate	200		EA2062		1/1
Partial height mounting plate	300		EA3061		1/1
Partial height mounting plate	400		EA4061		1/1
Partial height mounting plate	500	600	EA5061		1/1
Partial height mounting plate	600		EA6061		1/1
Partial height mounting plate	800		EA8061		1/1
Partial height mounting plate	1000		EA1061		1/1
Partial height mounting plate	200		EA2081		1/1
Partial height mounting plate	300		EA3081		1/1
Partial height mounting plate	400		EA4081		1/1
Partial height mounting plate	500	800	EA5081		1/1
Partial height mounting plate	600		EA6081		1/1
Partial height mounting plate	800		EA8081		1/1
Partial height mounting plate	1000		EA1081		1/1

AMX monobloc cabinets

Ordering codes

3



Side crosspieces for fixing accessories

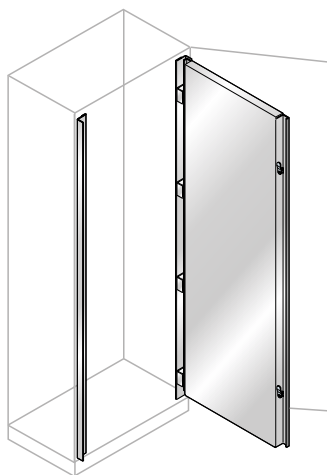
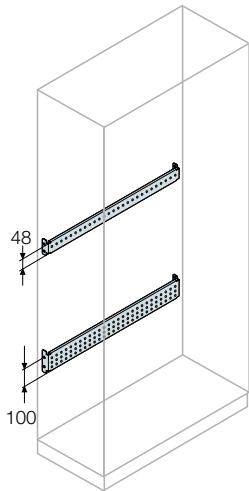
Multi-purpose crosspieces made of drilled 20/10 thickness galvanised sheet metal. Round hole and square hole with 25mm pitch. Fitted on the side of the enclosure depending on the depth.

Description	Dimensions (mm)		Price EUR	Package/ No. of pieces
	D	Code		
Side crosspieces H=48mm				
2 side crosspieces H=48mm	400	TS1004		1/2
2 side crosspieces H=48mm	500	TS1005		1/2
Side crosspieces H=100mm				
2 side crosspieces H=100mm	400	TS2004		1/2
2 side crosspieces H=100mm	500	TS2005		1/2

Back crosspieces for fixing accessories H=48/100mm

Multi-purpose crosspieces made of drilled 20/10 galvanised sheet metal. Round hole and square hole with 25mm pitch. Fitted on the back of the enclosure depending on the width.

Description	Dimensions (mm)		Price EUR	Package/ No. of pieces
	W	Code		
Back crosspieces H=48mm				
2 back crosspieces H=48mm	600	EB0600		1/2
2 back crosspieces H=48mm	800	EB0800		1/2
2 back crosspieces H=48mm	1000	EB1000		1/2
2 back crosspieces H=48mm	1200	EB1200		1/2
Back crosspieces H=100mm				
2 back crosspieces H=100mm	600	EB0660		1/2
2 back crosspieces H=100mm	800	EB0880		1/2
2 back crosspieces H=100mm	1000	EB1010		1/2
2 back crosspieces H=100mm	1200	EB1020		1/2



Inner doors

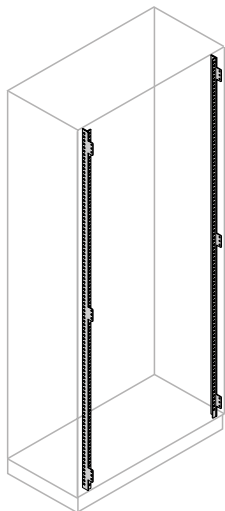
Internal door made of 15/10 thick stainless sheet steel, complete with reinforcement tube, frame, hinge and 2 boxes with double tongue key. Only for single door versions.

Internal doors				
Dimensions (mm)				
H	W	Code	Price EUR	Package/ No. of pieces
1600	600	TF1660X		1/1
	800	TF1680X		1/1
1800	600	TF1860X		1/1
	800	TF1880X		1/1
	1000	TF1810X		1/1
2000	600	TF2060X		1/1
	800	TF2080X		1/1
	1000	TF2010X		1/1

> Rapid selection table page 3/4

> In-depth technical information page 6/1

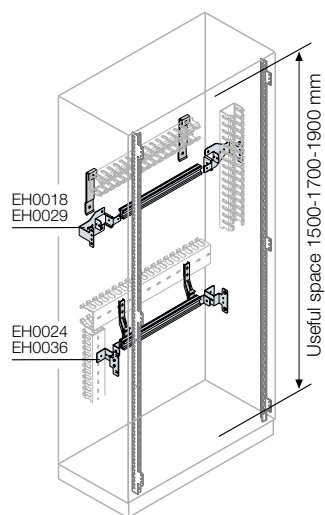
> Overall dimensions page 7/1



DIN rail panel

The fixed uprights are made of 20/10 thick galvanised steel and are fixed to the front of the structure. Structures 600 and 800mm wide can be fitted with the uprights.

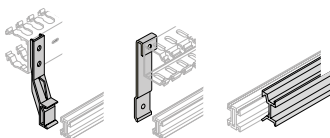
Description	Dimensions (mm)		Price EUR	Package/ No. of pieces
	H	Code		
2 panels for DIN rail	1600	MD1600		1/2
2 panels for DIN rail	1800	MD1800		1/2
2 panels for DIN rail	2000	MD2000		1/2



DIN rail kit and supports for fixing duct

Kit consisting of a double aluminium section (DIN 35), complete with shaped brackets for fixing wiring ducts. Fixed directly on the uprights MD1800 or MD2000. The working dimension is always 100mm less than the total height of the enclosure.

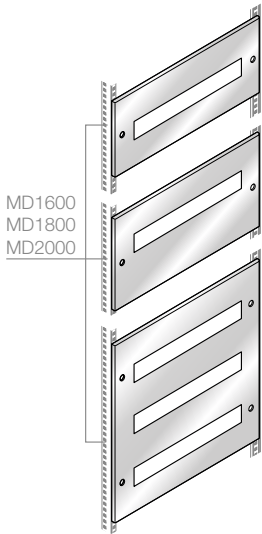
Description	Dimensions (mm)		Price EUR	Package/ No. of pieces
	W	Code		
DIN rail kit complete with supports for fixing front duct (maximum 60x80mm)				
DIN rail and fixing supports (18 DIN modules)	600	EH0018		1/1
DIN rail and fixing supports (29 DIN modules)	800	EH0029		1/1
DIN rail kit complete with supports for fixing rear duct (side ≥40mm)				
DIN rail and fixing supports (24 DIN modules)	600	EH0024		1/1
DIN rail and fixing supports (36 DIN modules)	800	EH0036		1/1
Supports for horizontal duct				
4 plastic supports for horizontal duct		AD1009		1/4
4 metal supports for horizontal duct		AD1037		1/4
Depth adapter				
Depth adapter for XT1 and XT3 W=600mm		AP6000		1/4



AMX monobloc cabinets

Ordering codes

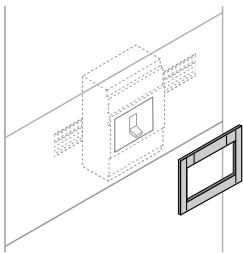
3



Panels for modular apparatuses

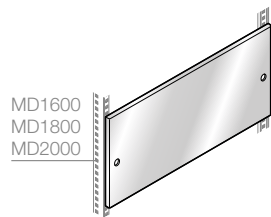
12/10 stainless steel panel with modular cut-out. The working dimension of the enclosure is always 100mm less than the total height of the enclosure.

Description	Dimensions (mm)		Code	Price EUR	Package/ No. of pieces
	H	W			
Panel, 18 DIN mod.	150	600	EH1518X		1/1
	200	600	EH2018X		1/1
Panel, 18 DIN mod. eccentric	300	600	EH3018X		1/1
Panel, 54 DIN mod. (3 rows x 18 mod.)	600	600	EH6018X		1/1
Panel, 29 DIN mod.	150	800	EH1529X		1/1
	200	800	EH2029X		1/1
Panel, 29 DIN mod. eccentric	300	800	EH3029X		1/1
Panel, 87 DIN mod. (3 rows x 29 mod.)	600	800	EH6029X		1/1
Panel, 24 DIN mod.	150	600	EH1524X		1/1
	200	600	EH2024X		1/1
Panel, 72 DIN mod. (3 rows x 24 mod.)	600	600	EH6025X		1/1
Panel, 36 DIN mod.	150	800	EH1536X		1/1
	200	800	EH2036X		1/1
Panel, 108 DIN mod. (3 rows x 36 mod.)	600	800	EH6036X		1/1



Tmax XT cover plate for DIN rail

Description	Code	Price EUR	Package/ No. of pieces
Cover plate for Tmax XT1 3P mounted on DIN rail	AD3301		1/1
Cover plate for Tmax XT1 4P mounted on DIN rail	AD3302		1/1
Cover plate for Tmax XT3 3P mounted on DIN rail	AD3303		1/1
Cover plate for Tmax XT3 4P mounted on DIN rail	AD3304		1/1



Blind panels for apparatuses

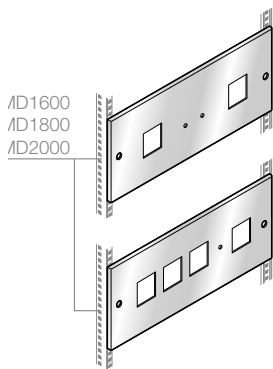
12/10 stainless steel panel. The working dimension of the enclosure is always 100mm less than the total height of the enclosure.

Description	Dimensions (mm)		Code	Price EUR	Package/ No. of pieces
	H	W			
Blind panel	50	600	EH0562X		1/1
Blind panel	100		EH1062X		1/1
Blind panel	150		EH1562X		1/1
Blind panel	200		EH2062X		1/1
Blind panel	300		EH3063X		1/1
Blind panel	400		EH4062X		1/1
Blind panel	500		EH5062X		1/1
Blind panel	600		EH6062X		1/1
Blind panel	50	800	EH0582X		1/1
Blind panel	100		EH1082X		1/1
Blind panel	150		EH1582X		1/1
Blind panel	200		EH2082X		1/1
Blind panel	300		EH3082X		1/1
Blind panel	400		EH4082X		1/1
Blind panel	500		EH5082X		1/1
Blind panel	600		EH6082X		1/1

> Rapid selection table page 3/4

> In-depth technical information page 6/1

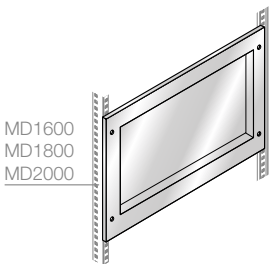
> Overall dimensions page 7/1



Panels for square measuring instruments

12/10 stainless steel panel with cut-outs for measuring instruments. The working dimension of the enclosure is always 100mm less than the total height of the enclosure.

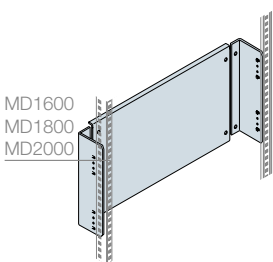
Description	Dimensions (mm)		Code	Price EUR	Package/ No. of pieces
	H	W			
Panel for 2 instruments 72x72mm	200	600	EH2272X		1/1
Panel for 4 instruments 72x72mm	200		EH2472X		1/1
Panel for 2 instruments 96x96mm	200	800	EH2297X		1/1
Panel for 2 instruments 72x72mm	200		EH3272X		1/1
Panel for 2 instruments 96x96mm	200		EH3296X		1/1
Panel for 4 instruments 72x72mm	200		EH3472X		1/1
Panel for 4 instruments 96x96mm	200		EH3496X		1/1



Recessed opaque panels

15/10 stainless steel opaque panel. The working dimension of the enclosure is always 100mm less than the total height of the enclosure.

Description	Dimensions (mm)		Code	Price EUR	Package/ No. of pieces
	H	W			
Recessed opaque panel	200	600	EH2063X		1/1
Recessed opaque panel		800	EH2083X		1/1
Recessed opaque panel	300	600	EH3064X		1/1
Recessed opaque panel		800	EH3083X		1/1
Recessed opaque panel	400	600	EH4064X		1/1
Recessed opaque panel		800	EH4083X		1/1
Recessed opaque panel	500	600	EH5063X		1/1
Recessed opaque panel		800	EH5084X		1/1
Recessed opaque panel	600	600	EH6063X		1/1
Recessed opaque panel		800	EH6084X		1/1



Opaque apparatus holder back plates

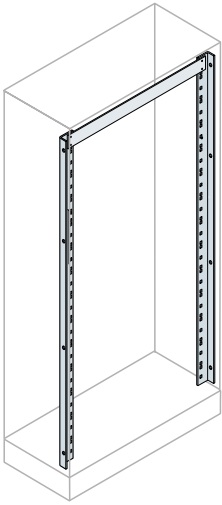
15/10 thick opaque apparatus holder back plate. Fixed directly on uprights MD1800 or MD2000. The working dimension is always 100mm less than the total height of the enclosure.

Description	Dimensions (mm)		Code	Price EUR	Package/ No. of pieces
	H	W			
Opaque apparatus holder back plate	200	600	EH2065		1/1
Opaque apparatus holder back plate	300		EH3065		1/1
Opaque apparatus holder back plate	400		EH4065		1/1
Opaque apparatus holder back plate	200	800	EH2085		1/1
Opaque apparatus holder back plate	300		EH3085		1/1
Opaque apparatus holder back plate	400		EH4085		1/1

AMX monobloc cabinets

Ordering codes

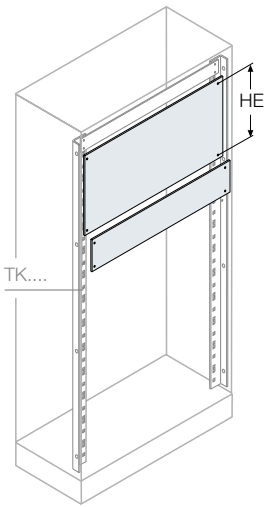
3



19" rack frames

The fixed uprights are made of 20/10 galvanised steel and are fixed to the front of the structure W=600mm.

Description	Dimensions (mm)	Code	Price EUR	Package/ No. of pieces
	H			
Pair of uprights fixed rack 34HE	1600	TK1600		1/2
Pair of uprights fixed rack 38HE	1800	TK1800		1/2
Pair of uprights fixed rack 42HE	2000	TK2000		1/2

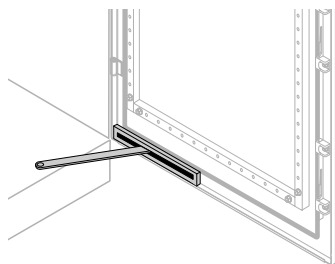


Opaque aluminium panels for 19" rack frames

Opaque compensation panels made of 30/10 thick opaque natural-coloured anodised aluminium, with 465mm centre-to-centre distance between holes.

Description	Dimensions (mm)	Code	Price EUR	Package/ No. of pieces
	H			
Panel for 19" rack frame 1HE	44,45	EG1991		1/1
Panel for 19" rack frame 2HE	89	EG1902		1/1
Panel for 19" rack frame 3HE	133	EG1903		1/1
Panel for 19" rack frame 4HE	177,5	EG1904		1/1
Panel for 19" rack frame 5HE	222	EG1905		1/1
Panel for 19" rack frame 6HE	266,5	EG1906		1/1
Panel for 19" rack frame 7HE	311	EG1907		1/1
Panel for 19" rack frame 8HE	355,5	EG1908		1/1
Panel for 19" rack frame 9HE	400	EG1909		1/1
Panel for 19" rack frame 10HE	444,5	EG1910		1/1
Panel for 19" rack frame 11HE	488	EG1911		1/1
Panel for 19" rack frame 12HE	533	EG1912		1/1
Panel for 19" rack frame 13HE	577,5	EG1913		1/1
Panel for 19" rack frame 14HE	622	EG1914		1/1
Panel for 19" rack frame 15HE	666	EG1915		1/1
Panel for 19" rack frame 16HE	711	EG1916		1/1
Panel for 19" rack frame 17HE	755,5	EG1917		1/1
Panel for 19" rack frame 18HE	800	EG1918		1/1
Panel for 19" rack frame 19HE	844,5	EG1999		1/1
Panel for 19" rack frame 20HE	889	EG1920		1/1

> Rapid selection table page 3/4 > In-depth technical information page 6/1 > Overall dimensions page 7/1

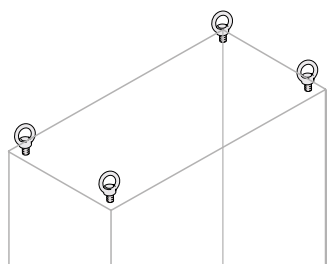


Door anti-closure device

Device which can only be fitted on versions with opaque door. Two devices are required for versions with double doors. Holds the door in the open position.

Description	Code	Price EUR	Package/ No. of pieces
Door anti-closure device	TA5510		1/1

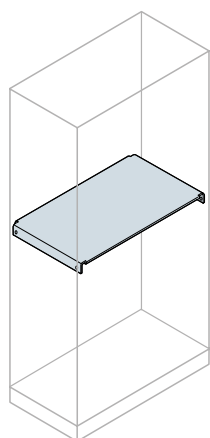
Cannot be fitted if there is an inner door, glass door and modular panel present.



Lifting eyebolts

Allow enclosure handling using an overhead travelling crane. Fixed directly on the enclosure roof. Made of steel, with a white galvanised surface treatment.

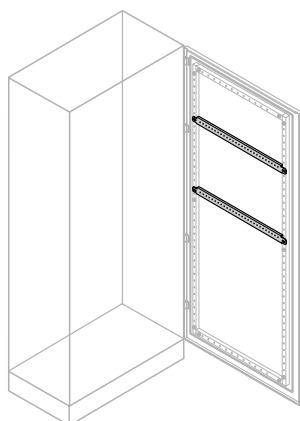
Description	Code	Price EUR	Package/ No. of pieces
4 lifting eyebolts M12	TA9601		1/4



Horizontal partition panels

15/10 thick galvanised sheet steel panel for horizontally separating the various components inside the structure.

Description	Dimensions (mm)		Code	Price EUR	Package/ No. of pieces
	W	D			
Horizontal partition panel	600	400	TE6041		1/1
Horizontal partition panel		500	TE6051		1/1
Horizontal partition panel	800	400	TE8041		1/1
Horizontal partition panel		500	TE8051		1/1
Horizontal partition panel	1000	400	TE1041		1/1
Horizontal partition panel		500	TE1051		1/1



Horizontal reinforcement sections for doors

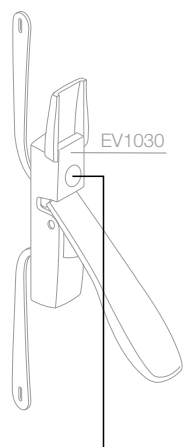
Crosspieces made of galvanised steel with drilling with 25mm pitch, for fixing accessories (e.g.: wiring ducts) inside opaque doors. Fixed to the door reinforcement tube.

Description	Dimensions (mm)		Code	Price EUR	Package/ No. of pieces
	W	h			
2 horizontal sections h=35mm	600		EB1041		1/2
2 horizontal sections h=35mm	800		EB1042		1/2
2 horizontal sections h=35mm	1000		EB1043		1/2

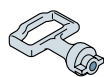
AMX monobloc cabinets

Ordering codes

3



EV1030



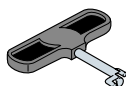
AD1058



AA6200
AA8004



AA6160



AA1570



AA6120



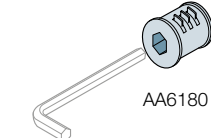
AA1560



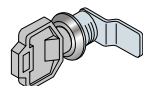
AA6140



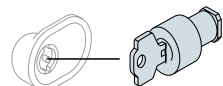
AA6141



AA6180



AA8001X
External door double door version

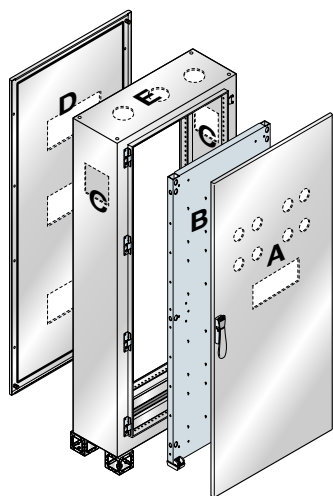


EV1008
EV1036
EV1037

Closing systems

May substitute standard fasteners for the external doors. The inserts are interchangeable and easily substituted by loosening a single nut.

Description	Code	Price EUR	Package/ No. of pieces
Spare parts and accessories for EV1030 handle			
Handle complete with lock	EV1030		1/1
Zamak (Zn+Al+Mg) alloy key for double tongue insert, for external door, single door version	AD1058		1/1
Yale insert and key for external door, single door version	AA6200		1/1
Ronis E739 insert and key for external door, single door version	AA8004		1/1
Ronis insert 455 and key	PIRH0455		1/1
Ronis insert 2432E and key	PIRH2432		1/1
Ronis insert 1242E and key	PIRH1242		1/1
Ronis insert 405 and key	PIRH0405		1/1
FIST (FIAT) insert for external door, single door version	AA6160		1/1
FIAT key for external door, single door version	AA1570		1/1
Triangular insert, 6.4 male on Ø7.6, for external door, single door version	AA6120		1/1
Key for triangular insert for external door, single door version	AA1560		1/1
Square insert, 7 male, for external door, single door version	AA6140		1/1
Key for square insert for external door, single door version	AA6141		1/1
Hexagonal insert, 8mm socket type; key not available; for external door, single door version	AA6180		1/1
Plastic key for triangular insert AA5200 for external door, double doors version	AA6190		1/1
Box Ø19mm double tongue, chrome-finished plastic and key for external door, double doors version	AA8001X		1/1
Spare parts and accessories for EV1008 box			
Box with double tongue insert made of plastic with key for inner door	EV1008		1/1
Single code Yale insert for inner door	EV1036		1/1
Ronis 455 insert for inner door	EV1037		1/1
3mm double tongue insert for inner door	EV1039		1/1
Double tongue insert for handle/closing box	AA6100		1/1



Special drilling service

The extra cost depends on the number of individual parts drilled rather than the number of holes made. By individual part we mean: A-door; B-plate; C-sides; D-back and E-roof.

The special drilling service must be managed using code TM...X/SPEC plus the code FORINOXAMX. Include the layout drawing of the holes to be drilled (see page 7/28 for possible drilling areas)

Description	Code	Price EUR	Package/ No. of pieces
Extra cost for drilling service per individual part AMX	FORAMX		

Special painting service

This service is managed by offer.

Spare parts

Description	Dimensions (mm)		Code	Price EUR	Package/ No. of pieces
	H	W			
Opaque door	1600	600	TC1606X		1/1
Opaque door		800	TC1608X		1/1
Opaque door	1800	600	TC1806X		1/1
Glass door		600	TT1806X		1/1
Opaque door		800	TC1808X		1/1
Glass door		800	TT1808X		1/1
Opaque door		1000	TC1810X		1/1
Glass door		1000	TT1810X		1/1
Opaque door with handle for double doors version	2000	600+600	TC1812DX		1/1
Opaque door with overlapping closing for double doors version		600+600	TC1812SX		1/1
Opaque door		600	TC2006X		1/1
Glass door		600	TT2006X		1/1
Opaque door	2000	800	TC2008X		1/1
Glass door		800	TT2008X		1/1
Opaque door		1000	TC2010X		1/1
Glass door		1000	TT2010X		1/1
Opaque door with handle for double doors version		600+600	TC2012DX		1/1
Opaque door with overlapping closing for double doors version		600+600	TC2012SX		1/1
Rear panel	1600	600	TE1660X		1/1
Rear panel		800	TE1680X		1/1
Rear panel	1800	600	TE1860X		1/1
Rear panel		800	TE1880X		1/1
Rear panel		1000	TE1810X		1/1
Rear panel		1200	TE1812X		1/1
Rear panel	2000	600	TE2060X		1/1
Rear panel		800	TE2080X		1/1
Rear panel		1000	TE2010X		1/1
Rear panel		1200	TE2012X		1/1

ISX modular cabinets

General characteristics and applications	4/2
Selection of the structure	4/4
Ordering codes	4/6

ISX modular cabinets

General characteristics

ABB is updating its supply of cabinets for automation with the new series of AISI 304 stainless steel ISX modular cabinets, suitable for creating electrical enclosures for automation, command and control.

ISX modular cabinets also conform to IEC EN 62208 and IEC 61439-1-2. The ISX range passed cabinet vibrations tests according to IEC 60068-2-57 and seismic tests according to IEE Std 693. ISX modular cabinets have a degree of protection IP66 (IEC EN 60529) and NEMA Type 1, 12 (UL standard). The degree of protection against external mechanical impacts is IK10 for the version with opaque door and IK09 for the version with glass door (IEC 62262). The AISI 304 stainless steel allows the cabinets to be fitted both indoors and outdoors, by fixing them to the floor. Available with opaque door or glass door, they have a structure with removable roof, complete with opaque door and rear panel, fixed cable entry flanges, plinth H=100 mm made up of four angular parts and can be completed with plinth flanges and side panels.

Available in two heights, H=1800 mm and H=2000 mm, with a double doors version (only opaque) with width W=1200 mm. For ISX modular cabinets the following are available: horizontal reinforcement sections for door, folding shelves for door, door anti-closure device, standard back plate and relative recessing/joining/reinforcement kits, oversized back plate and relative joining/reinforcement kits, tracks for plate lateral insertion, opposite mounting plate, partial back plate, crosspieces H=48/100 mm, crosspieces for base, transformer holder crosspieces, connector holder panel, vertical/horizontal partition panels, horizontal/vertical busbar segregations, DIN uprights, apparatus holder back plate, standard back plate for bench cabling, lifting eyebolts/brackets, lamps, voltage detector devices, position switch.



ISX modular enclosures allow the set-up of batteries of cabinets side by side for controlling complex industrial plants in environments requiring high standards of hygiene, for example the food, chemical and pharmaceutical sectors. They are suitable for installation on the floor with lateral and rear access, plus mounting plate position adjustment.



Structure


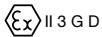
AISI 304 stainless steel modular structure with 3-way joint.



Plinths

plinths with removable flanges made of AISI 304 stainless steel, with a hole for fixing to the floor.

Technical characteristics

Conforms to	IEC EN 62208, IEC 61439-1-2
Degree of protection	IP66 (IEC EN 60529) NEMA Type 1, 12 (UL standard)
Degree of mechanical protection	IK10 opaque door IK09 glass door (IEC 62262)
Certifications	 
Type of material	AISI 304
Installation site	indoors/outdoors
Fixing method	floor/wall
Normal operating conditions - ambient temperature	from -25 to +40°C

ISX modular cabinets

Selection of the structure

Rapid selection table



4

External overall dimensions			Cabinet with opaque door			Pair of plinth flanges		Cable entry flanges		
H ⁽¹⁾ (mm)	W (mm)	D (mm)	Opaque door	Double opaque doors overlap closing	Glass door	Front / back	side	Sliding	Fixed	Built-up
1800	600	400	ES1864X		ES1864VX	ZN6000X	ZN4001X	EF6040X	EF6043X	EF6041X
	800		ES1884X		ES1884VX	ZN8000X	ZN4001X	EF8040X	EF8042X	EF8041X
	600	500	ES1865X		ES1865VX	ZN6000X	ZN5001X	EF6050X	EF6052X	EF6051X
	800		ES1885X		ES1885VX	ZN8000X	ZN5001X	EF8050X	EF8052X	EF8051X
	1000		ES1805X		ES1805VX	ZN1000X	ZN5000X	EF1053X	EF1052X	EF1051X
	1000	600	ES1806X		ES1806VX	ZN1000X	ZN6000X	EF1060X	EF1062X	EF1061X
	1200	500		ES1827BX		2xZN6000X	ZN5001X	2xEF6050X	2xEF6052X	2xEF6051X
	1200	600		ES1826BX		2xZN6000X	ZN6000X	2xEF6060X	2xEF6062X	2xEF6061X
2000	600	500	ES2065X		ES2065VX	ZN6000X	ZN5001X	EF6050X	EF6052X	EF6051X
	800		ES2085X		ES2085VX	ZN8000X	ZN5001X	EF8050X	EF8052X	EF8051X
	1000		ES2007X		ES2005VX	ZN1000X	ZN5001X	EF1053X	EF1052X	EF1051X
	600	600	ES2066X		ES2066VX	ZN6000X	ZN6000X	EF6060X	EF6062X	EF6061X
	800		ES2086X		ES2086VX	ZN8000X	ZN6000X	EF8060X	EF8062X	EF8061X
	1000		ES2006X		ES2006VX	ZN1000X	ZN6000X	EF1060X	EF1062X	EF1061X
	1200	500		ES2025BX		2xZN6000X	ZN5001X	2xEF6050X	2xEF6052X	2xEF5051X
	1200	600		ES2026BX		2xZN6000X	ZN6000X	2xEF6060X	2xEF6062X	2xEF6061X

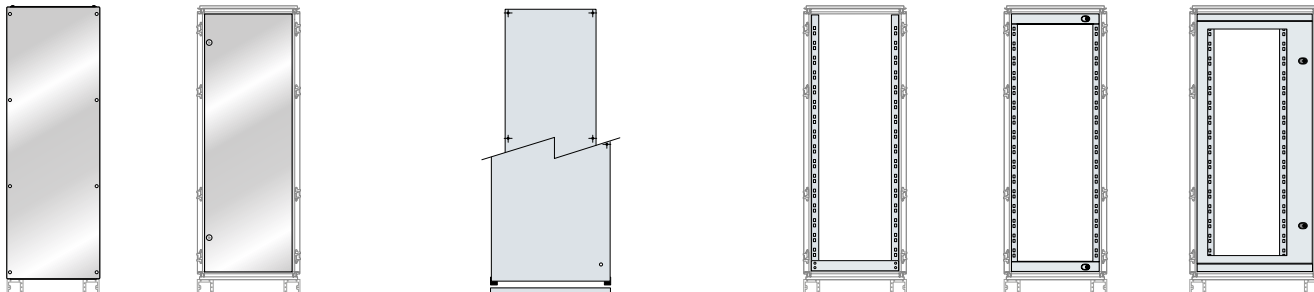
⁽¹⁾ The working height is always 100mm less than the external dimension of the enclosure. For the version with compartments the working height is 200mm less.

⁽²⁾ Crosshead screws for Phillips 3 insert.

⁽³⁾ Standard plates joining kit: EA1800 (H=1800mm); EA2000 (H=2000mm).

⁽⁴⁾ EA2113 oversized plates joining kit H=1800/2000mm.

Kit for placing structures side by side EV0002/EV0003.

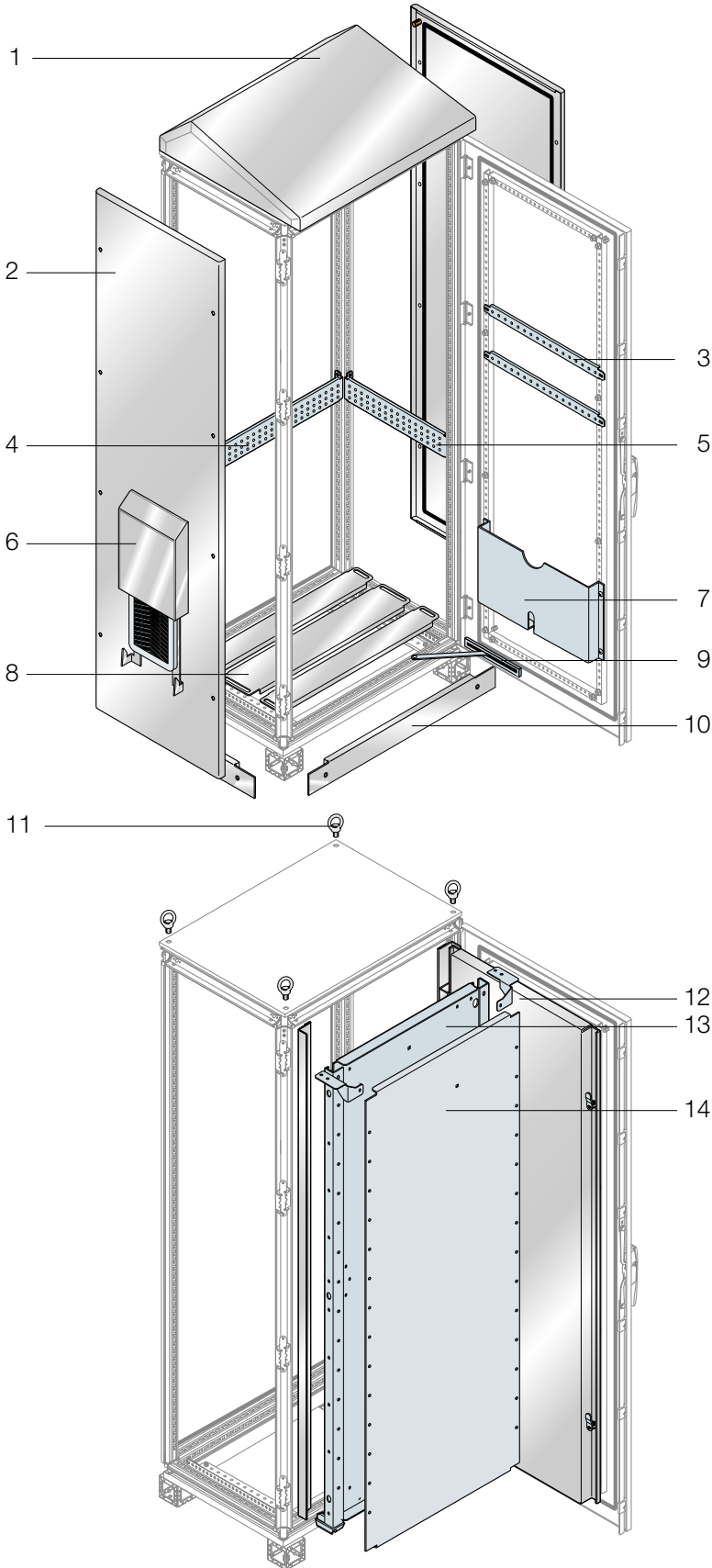


Side covers ⁽¹⁾	Inner door	Back plates		Rack frame		
		Standard ⁽²⁾	Oversize + tracks ⁽³⁾	Fixed Centred	Swing Centred W=600mm	Eccentric W=800mm
Pair of opaque panels						
EL1840X	EE1860X	EA1860	EA1960	EG1800	EG1801K	
EL1840X	EE1880X	EA1880	EA1981	EG1880		EG1803K
EL1850X	EE1860X	EA1860	EA1960	EG1800	EG1801K	
EL1850X	EE1880X	EA1880	EA1981	EG1880		EG1803K
EL1850X	EE1810X	EA1810	EA1910			
EL1860X	EE1810X	EA1810	EA1910			
EL1850X		EA1812	EA1912			
EL1860X		EA1812	EA1912			
EL2050X	EE2060X	EA2060	EA2161	EG2000	EG2001K	
EL2050X	EE2080X	EA2080	EA2180	EG2080		EG2003K
EL2050X	EE2010X	EA2010	EA2110			
EL2060X	EE2060X	EA2060	EA2161	EG2000	EG2001K	
EL2060X	EE2080X	EA2080	EA2180	EG2080		EG2003K
EL2060X	EE2010X	EA2010	EA2110			
EL2050X		EA2013	EA2112			
EL2060X		EA2013	EA2112			

ISX modular cabinets

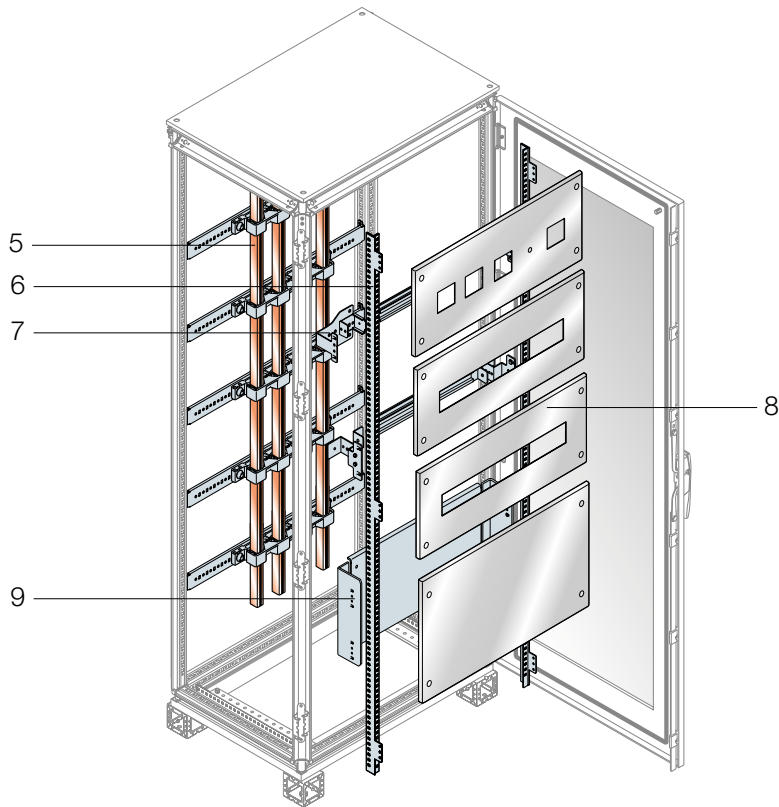
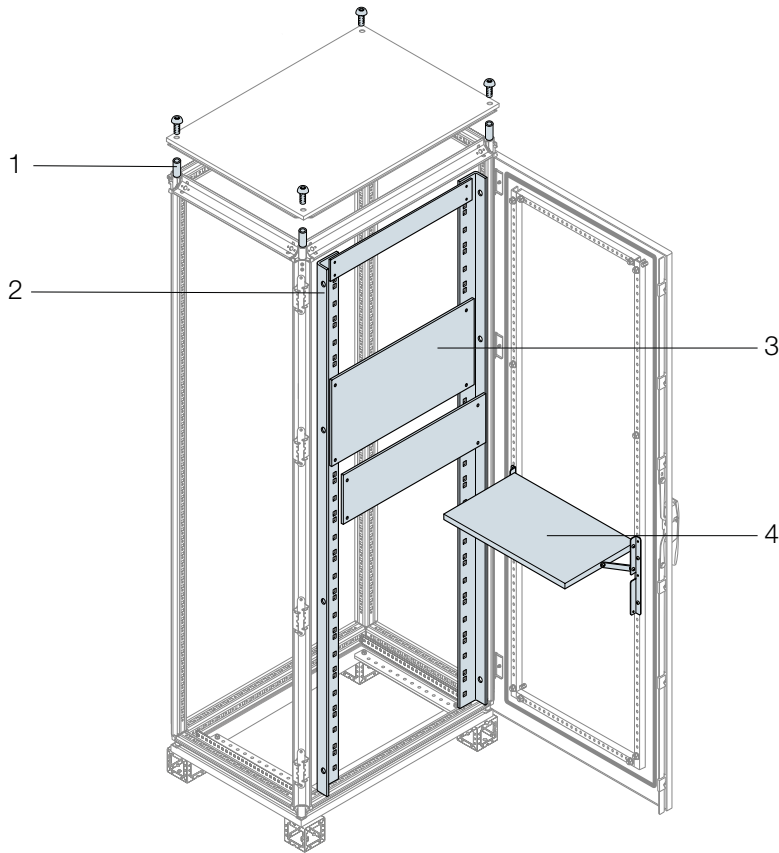
Ordering codes

4



1	Spray protection roof	
	Page.....	4/11
2	Side panels	
	Page.....	4/9
3	Door reinforcement profiles	
	Page.....	4/27
4	Crosspieces for back accessories	
	Page.....	4/19
5	Crosspieces for side accessories	
	Page.....	4/19
6	Ventilation kit	
	Page.....	5/10
7	Document pocket	
	Page.....	5/8
8	Cable entry flanges	
	Page.....	4/11
9	Door anti-closure device	
	Page.....	4/27
10	Plinth covering flanges	
	Page.....	4/9
11	Lifting eyebolts	
	Page.....	4/27
12	Inner door	
	Page.....	4/10
13	Mounting plate	
	Page.....	4/13
14	Opposite mounting plate	
	Page.....	4/15

> Rapid selection table page 4/4 > In-depth technical information page 6/1 > Overall dimensions page 7/1



1	Natural ventilation	Page..... 4/18
2	19" rack frames	Page..... 4/24
3	Panels for 19" rack frames	Page..... 4/25
4	Folding shelf for door	Page..... 4/27
5	Distribution system	Page..... 4/28
6	Uprights for DIN rail	Page..... 4/20
7	DIN rail kit	Page..... 4/20
8	Panels for modular equipment	Page..... 4/21
9	Opaque apparatus holder back plates	Page..... 4/22

ISX modular cabinets

Ordering codes



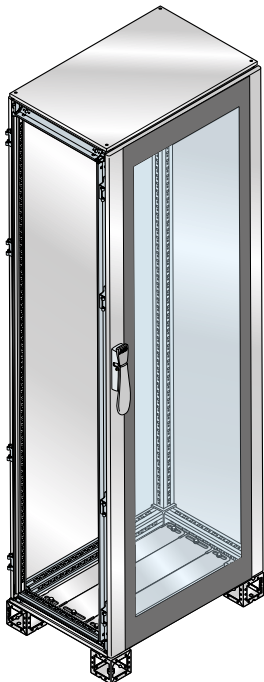
Cabinets with opaque door

Structure with removable roof complete with opaque door and rear panel⁽¹⁾, fixed cable entry flanges, plinth H=100mm consisting of four angular parts. To be completed with plinth flanges and side panels.

Cabinets with opaque door							
Dimensions (mm)							
H	W	D	Code		Price EUR	Package/ No. of pieces	
1800	600	400	ES1864X			1/1	
	800		ES1884X			1/1	
	600	500	ES1865X			1/1	
	800		ES1885X			1/1	
	1000		ES1805X			1/1	
		1000	600	ES1806X			1/1
		1200 ⁽¹⁾	500	ES1827BX			1/1
	1200 ⁽¹⁾	600	ES1826BX			1/1	
2000	600	500	ES2065X			1/1	
	800		ES2085X			1/1	
	1000		ES2007X			1/1	
	600	600	ES2066X			1/1	
	800		ES2086X			1/1	
	1000		ES2006X			1/1	
	1200 ⁽¹⁾		500	ES2025BX			1/1
	1200 ⁽¹⁾	600	ES2026BX			1/1	

⁽¹⁾ Crosshead screws for Phillips 3 insert.

⁽¹⁾ Version with double doors.

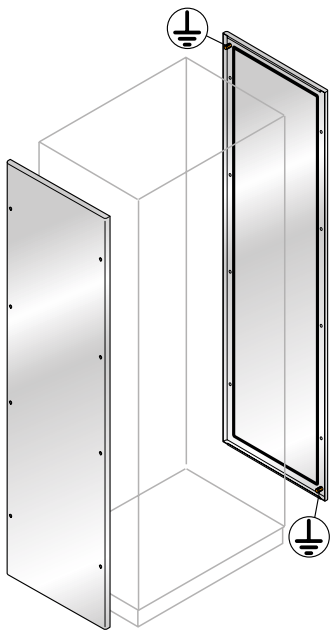


Cabinets with glass door

Structure with removable roof complete with glass door and rear panel⁽¹⁾, fixed cable entry flanges, plinth H=100mm consisting of four angular parts. To be completed with plinth flanges and side panels⁽²⁾.

Cabinets with glass door						
Dimensions (mm)						
H	W	D	Code		Price EUR	Package/ No. of pieces
1800	600	400	ES1864VX			1/1
	800		ES1884VX			1/1
	600	500	ES1865VX			1/1
	800		ES1885VX			1/1
	1000		ES1805VX			1/1
		1000	600	ES1806VX		
2000	600	500	ES2065VX			1/1
	800		ES2085VX			1/1
	1000		ES2005VX			1/1
	600	600	ES2066VX			1/1
	800		ES2086VX			1/1
	1000		ES2006VX			1/1

⁽¹⁾ Crosshead screws for Phillips 3 insert.

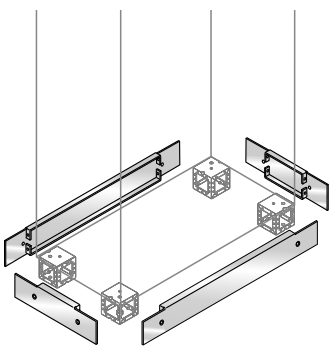


Blind side panels

15/10 thick stainless steel side panel⁽¹⁾, with polyurethane gasket, complete with earthing pins.

Description	Dimensions (mm)		Code	Price EUR	Package/ No. of pieces
	H	W			
Pair of opaque panels	1800	400	EL1840X		1/2
Pair of opaque panels		500	EL1850X		1/2
Pair of opaque panels		600	EL1860X		1/2
Pair of opaque panels	2000	500	EL2050X		1/2
Pair of opaque panels		600	EL2060X		1/2

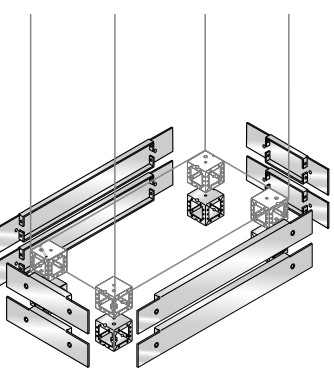
⁽¹⁾ Crosshead screws for Phillips 3 insert.



Plinth covering flanges

AISI 304 stainless steel monobloc removable flanges (not load-bearing).

Description	Dimensions (mm)		Code	Price EUR	Package/ No. of pieces
	H	W			
Coppia di flange fronte/retro	100	600	ZN6000X		1/2
Coppia di flange fronte/retro		800	ZN8000X		1/2
Coppia di flange fronte/retro		1000	ZN1000X		1/2
Coppia di flange laterali	100	400	ZN4001X		1/2
Coppia di flange laterali		500	ZN5001X		1/2
Coppia di flange laterali		600	ZN6000X		1/2



Additional plinth

To obtain a plinth 200mm high, order an angular parts kit H=100mm to be completed with 2 covering flanges (H=100mm) for each side of the structure.

Description	Dimensions (mm)		Code	Price EUR	Package/ No. of pieces
	H				
4 angular parts	100		ZN1010X		1/4

ISX modular cabinets

Ordering codes

4

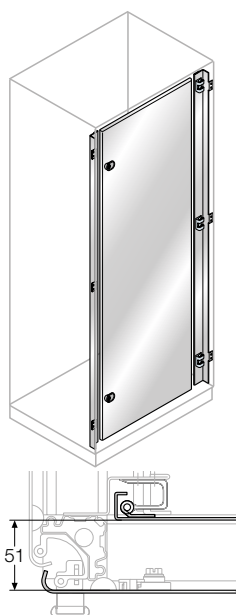
One-piece roof

AISI 304 stainless steel roof made in a single piece, completes the joining of enclosures positioned side by side.

Description	Code	Price EUR	Package/ No. of pieces
One-piece roof for side by side ISX	TU1000X		1/1

The front view drawing of the ISX battery has to be attached to the order, specifying the width, the depth and the sequence of the panel board.

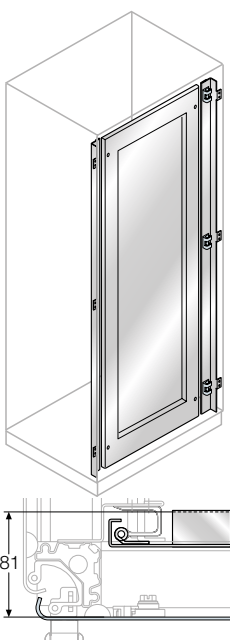
Measurement unit: METER.



Inner doors

15/10 thick AISI 304 stainless steel internal door, complete with reinforcement tube, frame, hinges and 2 boxes with double tongue key. Maximum opening 100°.

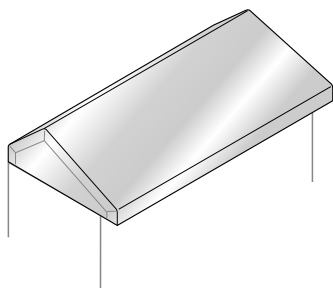
Internal doors				
Dimensions (mm)		Code	Price EUR	Package/ No. of pieces
H	W			
1800	600	EE1860X		1/1
	800	EE1880X		1/1
	1000	EE1810X		1/1
2000	600	EE2060X		1/1
	800	EE2080X		1/1
	1000	EE2010X		1/1



Recessed inner doors

15/10 thick stainless sheet steel internal door, complete with frame, hinges and 2 boxes. Maximum opening 100°.

Internal doors				
Dimensions (mm)		Code	Price EUR	Package/ No. of pieces
H	W			
1800	600	EE1906X		1/1
	800	EE1908X		1/1
	1000	EE1910X		1/1
2000	600	EE2106X		1/1
	800	EE2108X		1/1
	1000	EE2110X		1/1

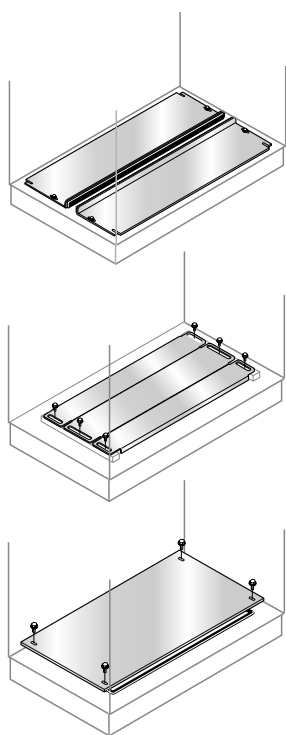


Spray protection roofs

Made of 15/10 stainless sheet steel.

Description	Dimensions (mm)		Code	Price EUR	Package/ No. of pieces
	W	D			
Spray protection roof	600	400	TP6040X		1/1
Spray protection roof	600	500	TP6050X		1/1
Spray protection roof	800	400	TP8040X		1/1
Spray protection roof	800	500	TP8050X		1/1
Spray protection roof	800	600	TP8060X		1/1
Spray protection roof	1000	500	TP1050X		1/1
Spray protection roof	1000	600	TP1060X		1/1
Spray protection roof	1200	500	TP1250X		1/1
Spray protection roof	1200	600	TP1260X		1/1

4



Cable entry flanges

20/10 stainless sheet steel flanges. Sliding, built-up and fixed type

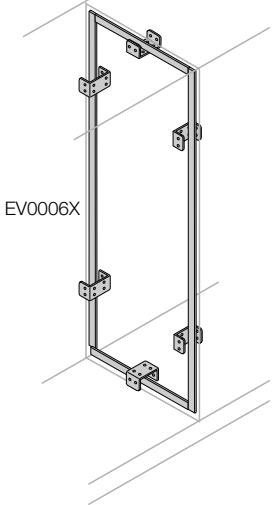
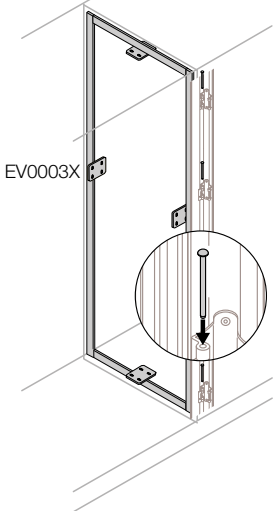
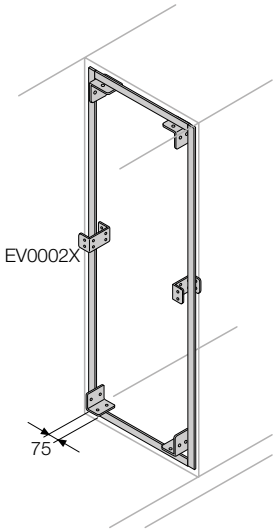
Description	Dimensions (mm)		Code	Price EUR	Package/ No. of pieces
	W	D			
Sliding cable entry flanges	600	400	EF6040X		1/1
Sliding cable entry flanges	800		EF8040X		1/1
Sliding cable entry flanges	600	500	EF6050X		1/1
Sliding cable entry flanges	800		EF8050X		1/1
Sliding cable entry flanges	1000	600	EF1053X		1/1
Sliding cable entry flanges	600		EF6060X		1/1
Sliding cable entry flanges	800	600	EF8060X		1/1
Sliding cable entry flanges	1000		EF1060X		1/1
Built-up cable entry flanges	600	400	EF6041X		1/1
Built-up cable entry flanges	800		EF8041X		1/1
Built-up cable entry flanges	600	500	EF6051X		1/1
Built-up cable entry flanges	800		EF8051X		1/1
Built-up cable entry flanges	1000	600	EF1051X		1/1
Built-up cable entry flanges	600		EF6061X		1/1
Built-up cable entry flanges	800	600	EF8061X		1/1
Built-up cable entry flanges	1000		EF1061X		1/1
Fixed cable entry flanges	600	400	EF6043X		1/1
Fixed cable entry flanges	800		EF8042X		1/1
Fixed cable entry flanges	600	500	EF6052X		1/1
Fixed cable entry flanges	800		EF8052X		1/1
Fixed cable entry flanges	1000	600	EF1052X		1/1
Fixed cable entry flanges	600		EF6062X		1/1
Fixed cable entry flanges	800	600	EF8062X		1/1
Fixed cable entry flanges	1000		EF1062X		1/1

Note: for structures with W=1200mm order 2 x parts with W=600mm.

ISX modular cabinets

Ordering codes

4



Kit for placing structures side by side

High density adhesive polyurethane gasket - guarantees the degree of protection on several columns positioned side by side. The kits come complete with 8 stainless steel AISI 304 small pins.

Description	Code	Price EUR	Package/ No. of pieces
Kit for joining angular reinforcement part for lifting	EV0002X		1/1
Cabinet joining kit	EV0003X		1/1
Internal cabinet joining kit	EV0006X		1/1

EV0002X

This kit consists of 6 brackets (4 "L"-shaped and 2 "C"-shaped), an adhesive gasket and 8 small pins. Joining is from the inside using the 4 "L"-shaped brackets which can be fitted in the corners and the two "C"-shaped brackets which can be mounted at any height on the enclosure. Does not allow maximum recessing of the standard and oversized back plate (75mm less).

EV0003X internal external enclosure joining kit

This kit consists of 4 brackets, an adhesive gasket and 8 small pins.

Joining is:

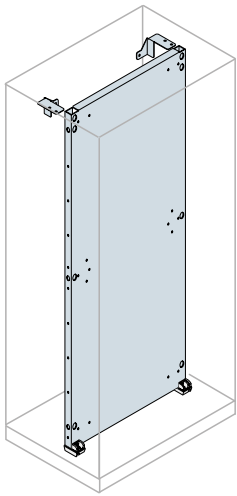
- from the inside using the 4 brackets which can be fitted anywhere along the height or depth of the enclosure
- from the outside using the 8 small pins inserted in the hinges (this requires removal of the rear panel).

EV0006X internal enclosure joining kit

This kit consists of 6 brackets, an adhesive gasket and 8 small pins.

Joining is from the inside using the 6 brackets which can be fitted anywhere along the height or depth of the enclosure.

EV0002X	OK			OK	OK	OK		OK	OK	OK
EV0003X	OK	OK	OK	OK	OK	OK	OK	OK	OK	OK
EV0006X	OK	OK	OK			OK				

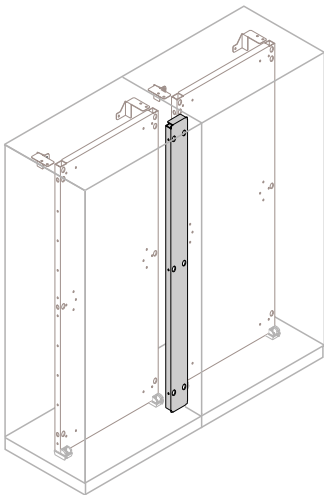


Standard back plate

25/10 galvanised steel plate which can be inserted from the front (standard) or the side with tracks (to be ordered separately). Complete with supports for sliding and fixing. Possibility of placing side by side or recessing using the special kits.

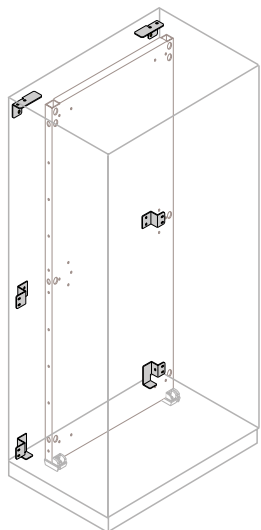
Description	Dimensions (mm)		Code	Price EUR	Package/ No. of pieces
	H	W			
Mounting plate	1800	600	EA1860		1/1
Mounting plate		800	EA1880		1/1
Mounting plate		1000	EA1810		1/1
Mounting plate		1200	EA1812		1/1
Mounting plate	2000	600	EA2060		1/1
Mounting plate		800	EA2080		1/1
Mounting plate		1000	EA2010		1/1
Mounting plate		1200	EA2013		1/1

4



Standard back plate joining kit

Description	H (mm)	Code	Price EUR	Package/ No. of pieces
Plate joining kit	1800	EA1800		1/1
Plate joining kit	2000	EA2000		1/1



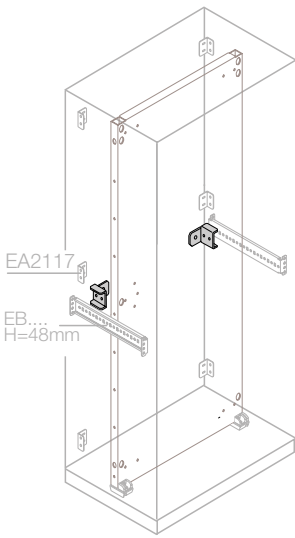
Kit for recessing standard mounting plates

Description	Code	Price EUR	Package/ No. of pieces
Kit for recessing plate	EA2100		1/1

ISX modular cabinets

Ordering codes

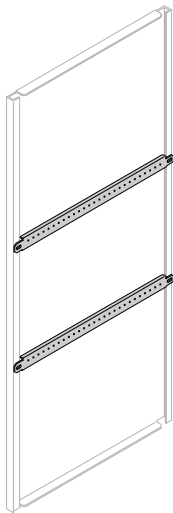
4



Kit for fixing standard mounting plate in the middle

Allows further fixing of the mounting plate even in the middle, in addition to the side crosspieces H=48mm (see page 4/19).

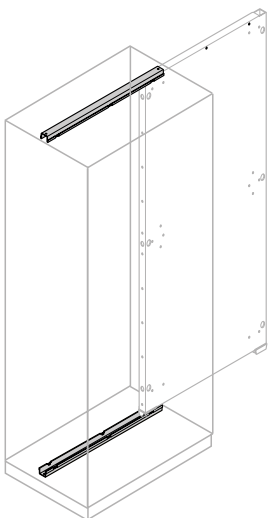
Description	Code	Price EUR	Package/ No. of pieces
Mounting plate fixing kit	EA2115		1/2



Reinforcement profiles for mounting plate

20/10 thick galvanised sections, for reinforcing standard back plates. Recommended for particularly heavy components fixed on the mounting plate.

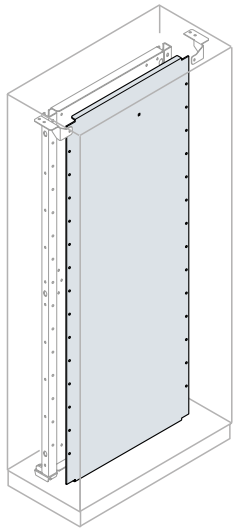
Description	W (mm)	Code	Price EUR	Package/ No. of pieces
2 plate horizontal reinforcement sections	600	EA6003		1/2
2 plate horizontal reinforcement sections	800	EA8003		1/2
2 plate horizontal reinforcement sections	1000	EA1003		1/2
2 plate horizontal reinforcement sections	1200	EA1203		1/2
6 plate fixing intermediate reinforcements		EA2117		1/6



Tracks for plate lateral insertion

Allow standard and oversized mounting plates to be inserted from the side. Made up of two sections (one upper and one lower).

Description	W (mm)	Code	Price EUR	Package/ No. of pieces
Tracks for plate lateral insertion	600	EA0600		1/2
Tracks for plate lateral insertion	800	EA0802		1/2
Tracks for plate lateral insertion	1000	EA1000		1/2
Tracks for plate lateral insertion	1200	EA1200		1/2

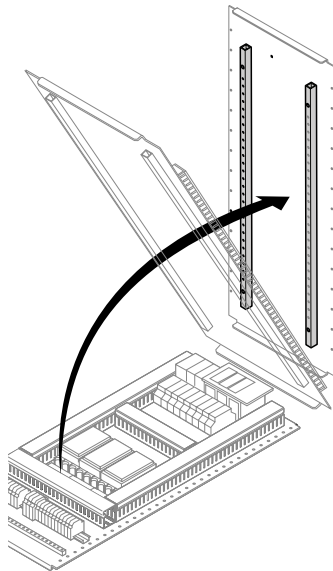


Opposite mounting plate

Mounting plate with extremely small depth dimension, so that components can be mounted on both sides (front and rear). Made of 25/10 galvanised steel. Can be inserted from the front and/or rear. Complete with supports for sliding and fixing.

Description	Dimensions (mm)		Code	Price EUR	Package/ No. of pieces
	H	W			
Opposite mounting plate	1800	600	EA5861		1/1
Opposite mounting plate		800	EA5883		1/1
Opposite mounting plate		1000	EA5811		1/1
Opposite mounting plate		1200	EA5822		1/1
Opposite mounting plate	2000	600	EA5063		1/1
Opposite mounting plate		800	EA5083		1/1
Opposite mounting plate		1000	EA5011		1/1
Opposite mounting plate		1200	EA5022		1/1

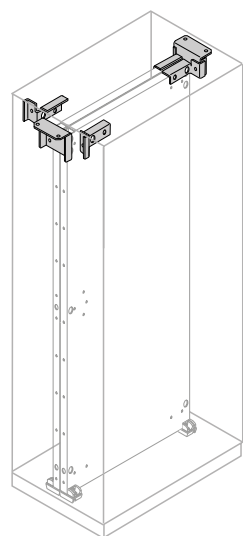
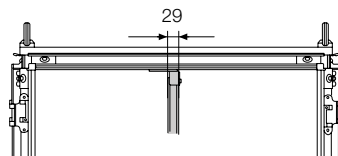
For the mounting of the opposite mounting plate it is necessary to order also the standard mounting plate.



Opposite mounting plate reinforcement sections

The reinforcement sections allow both vertical and horizontal opposite mounting plate cabling. The sections are fixed to the plate using special pressure pins, without drilling the plate.

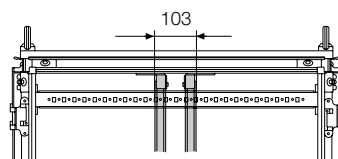
Description	H (mm)	Code	Price EUR	Package/ No. of pieces
2 reinforcements for opposite plate	1800	EA0018		1/2
2 reinforcements for opposite plate	2000	EA0020		1/2



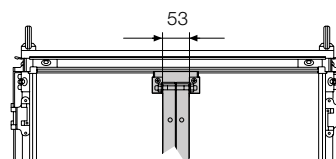
Back to back kit

For coupling 2 standard plates to produce the minimum footprint.

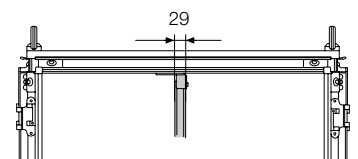
Description	Code	Price EUR	Package/ No. of pieces
Back to back standard plates kit	EA2118		1/1



Traditional side by side: standard plate + standard plate



Side by side with EA2118: standard mounting plate + standard mounting plate + kit EA2118

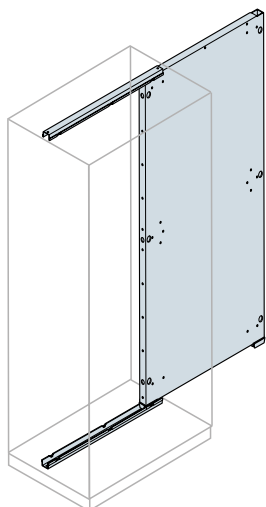


Standard mounting plate + opposite mounting plate.

ISX modular cabinets

Ordering codes

4

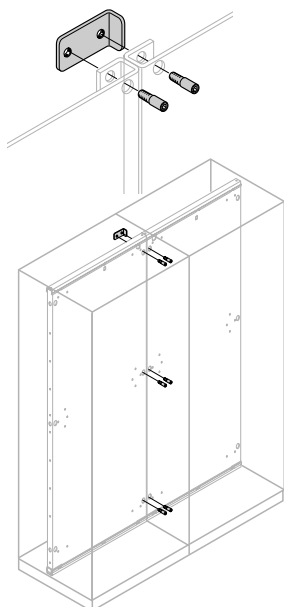


Oversized back plates

25/10 galvanised steel plate, can only be inserted by sliding from the side, using balls with tracks included in the kit. Possibility of placing side by side using the special kit.

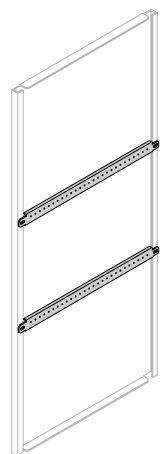
Including tracks for lateral insertion

Description	Dimensions (mm)		Code	Price EUR	Package/ No. of pieces
	H	W			
Oversized back plate+tracks	1800	600	EA1960		1/1
Oversized back plate+tracks		800	EA1981		1/1
Oversized back plate+tracks		1000	EA1910		1/1
Oversized back plate+tracks		1200	EA1912		1/1
Oversized back plate+tracks	2000	600	EA2161		1/1
Oversized back plate+tracks		800	EA2180		1/1
Oversized back plate+tracks		1000	EA2110		1/1
Oversized back plate+tracks		1200	EA2112		1/1



Oversized back plates joining kit

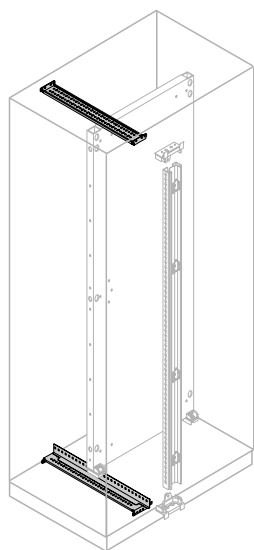
Description	Code	Price EUR	Package/ No. of pieces
Oversized plates joining kit	EA2113		1/1



Oversized mounting plates reinforcement sections

20/10 thick galvanised sections, for reinforcing standard back plates. Recommended for particularly heavy components fixed on the mounting plate.

Description	W (mm)	Code	Price EUR	Package/ No. of pieces
2 plate horizontal reinforcement sections	600	EA6002		1/2
2 plate horizontal reinforcement sections	800	EA8002		1/2
2 plate horizontal reinforcement sections	1000	EA1002		1/2
2 plate horizontal reinforcement sections	1200	EA1202		1/2

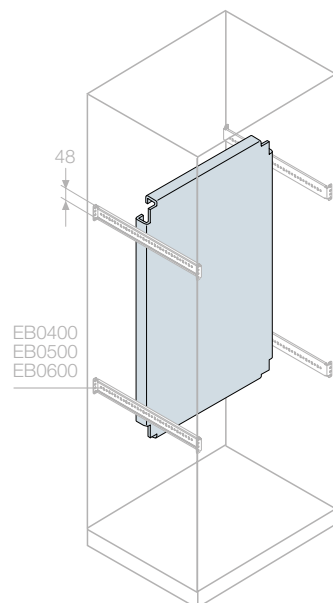


Sliding rails for insertion of mounting plate with partial width

These allow insertion of the standard mounting plate from the front in structures with a cable container or if the double door structure is partly used. A special sliding track is inserted in the lower crosspiece.

Description	D (mm)	Code	Price EUR	Package/ No. of pieces
1 sliding rail and 1 crosspiece for back plate	400	EB4101		1/2
1 sliding rail and 1 crosspiece for back plate	500	EB5101		1/2
1 sliding rail and 1 crosspiece for back plate	600	EB6101		1/2

4



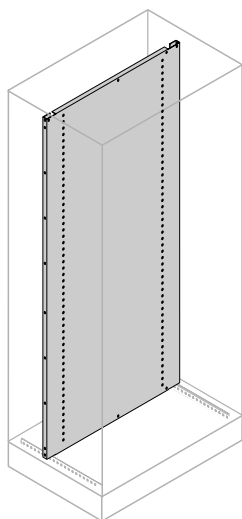
Partial back plates

25/10 thick galvanised back plates. Fixed on the crosspieces H=48mm.

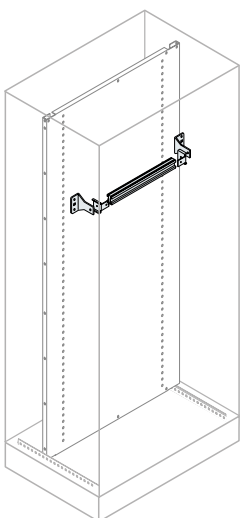
Description	Dimensions (mm)		Code	Price EUR	Package/ No. of pieces
	H	W			
Partial height mounting plate	200	600	EA2062		1/1
Partial height mounting plate	300		EA3061		1/1
Partial height mounting plate	400		EA4061		1/1
Partial height mounting plate	500	800	EA5061		1/1
Partial height mounting plate	600		EA6061		1/1
Partial height mounting plate	800		EA8061		1/1
Partial height mounting plate	1000		EA1061		1/1
Partial height mounting plate	200	800	EA2081		1/1
Partial height mounting plate	300		EA3081		1/1
Partial height mounting plate	400		EA4081		1/1
Partial height mounting plate	500	800	EA5081		1/1
Partial height mounting plate	600		EA6081		1/1
Partial height mounting plate	800		EA8081		1/1
Partial height mounting plate	1000		EA1081		1/1
Partial back plate recessing kit			EA2101		1/1

ISX modular cabinets

Ordering codes



4



Standard back plate for bench cabling

Back plate drilled with 25mm pitch for directly fixing DIN rails GD1520, GD1530. Insertion is from the front of the enclosure and the depth is adjustable in 25mm steps. The centre-to-centre distance between the DIN rails may be 150 or 200mm. This solution comes complete with front panels for 24 and 36 modules respectively for W=600mm and 800mm.

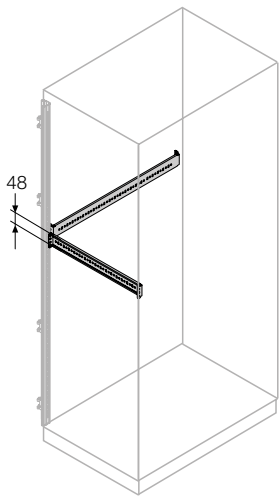
Description	Dimensions (mm)		Code	Price EUR	Package/ No. of pieces
	H	W			
Back plate for bench cabling	1800	600	EX1860		1/1
Back plate for bench cabling		800	EX1880		1/1
Back plate for bench cabling	2000	600	EX2060		1/1
Back plate for bench cabling		800	EX2080		1/1

DIN rail kit on mounting plate (bench cabling)

Kit consisting of double aluminium section (DIN 35), complete with brackets. Fixed directly on the mounting plate. The working dimension is always 100mm less than the total height of the enclosure.

Description	W (mm)	Code	Price EUR	Package/ No. of pieces
DIN rail and fixing supports (24 DIN mod.)	600	GD1520		1/2
DIN rail and fixing supports (36 DIN mod.)	800	GD1530		1/2

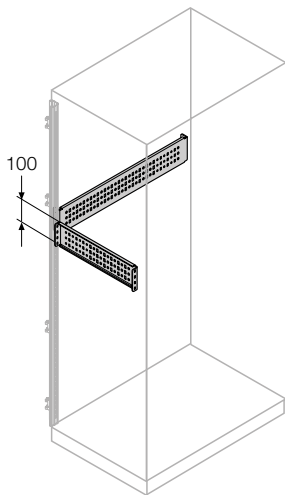
For all components which cannot be mounted on DIN rails, e.g.: T3, T4, OT, OETL, mounting is directly on the plate.



Crosspieces H=48mm for fixing accessories

20/10 thick galvanised sheet metal multi-purpose crosspieces. These are fixed between the uprights and allow various accessories to be fitted as well as partial back plates and busbar holders for flat and shaped section busbars (to be drilled).

Description	L/D (mm)	Code	Price EUR	Package/ No. of pieces
2 crosspieces for fixing front/side accessories and partial back plates	400	EB0400		1/2
2 crosspieces for fixing front/side accessories and partial back plates	500	EB0500		1/2
2 crosspieces for fixing front/side accessories and partial back plates	600	EB0600		1/2
2 crosspieces for fixing front/side accessories and partial back plates	800	EB0800		1/2
2 crosspieces for fixing front/side accessories and partial back plates	1000	EB1000		1/2
2 crosspieces for fixing front/side accessories and partial back plates	1200	EB1200		1/2

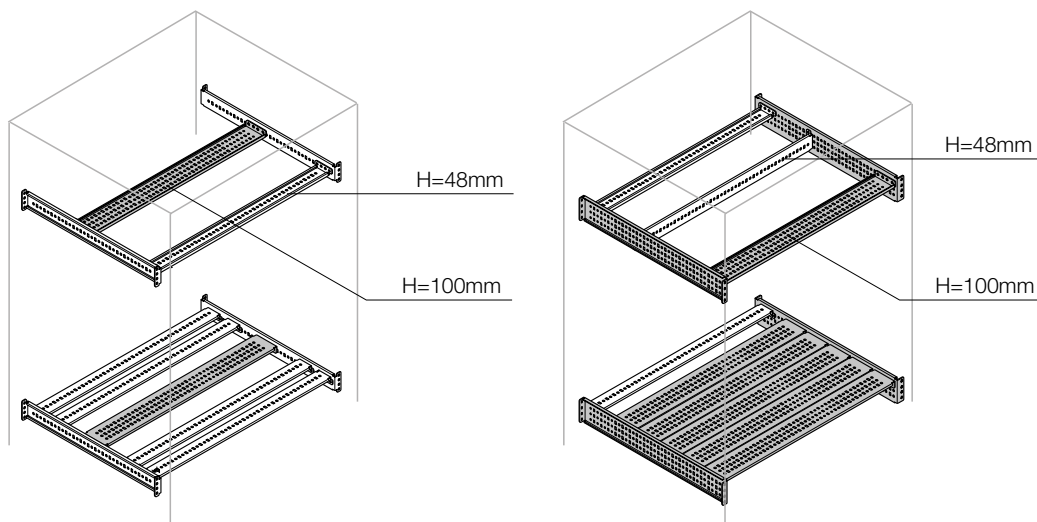


Crosspieces H=100mm for fixing accessories

Multi-purpose crosspieces made of 20/10 thick galvanised sheet metal.

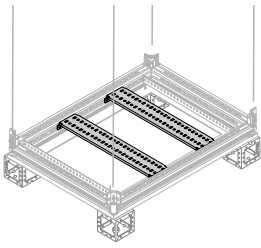
Description	L/D (mm)	Code	Price EUR	Package/ No. of pieces
2 crosspieces for fixing front/side accessories	400	EB0440		1/2
2 crosspieces for fixing front/side accessories	500	EB0550		1/2
2 crosspieces for fixing front/side accessories	600	EB0660		1/2
2 crosspieces for fixing front/side accessories	800	EB0880		1/2
2 crosspieces for fixing front/side accessories	1000	EB1010		1/2
2 crosspieces for fixing front/side accessories	1200	EB1020		1/2

Example of use of crosspieces H=48/100mm



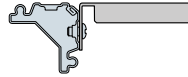
ISX modular cabinets

Ordering codes



Intermediate crosspieces for fixing heavy accessories (fitted deep)

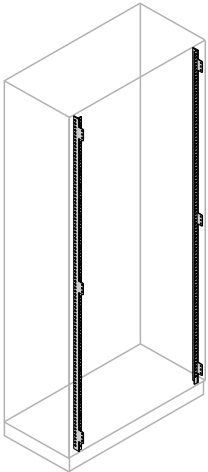
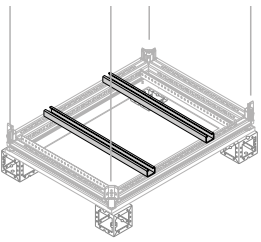
Description	D (mm)	Code	Price EUR	Package/ No. of pieces
2 crosspieces for base	400	EB4100		1/2
2 crosspieces for base	500	EB5100		1/2
2 crosspieces for base	600	EB6100		1/2



Transformer holder crosspieces

Transformer holder crosspieces made of white galvanised 35/10 thick steel sections, complete with 4 x M12 stud bolts, W=50mm.

Description	D (mm)	Code	Price EUR	Package/ No. of pieces
2 transformer holder crosspieces	600	EB6102		1/2



DIN rail uprights

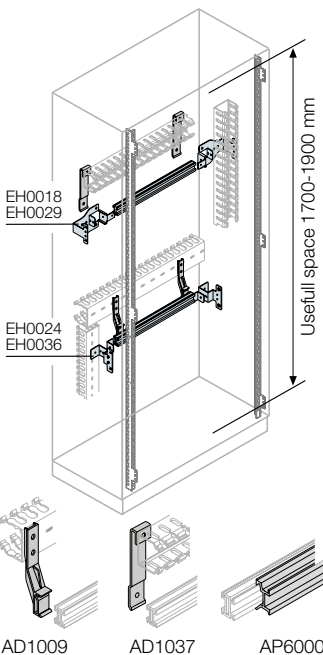
Galvanised steel uprights drilled with a 50mm pitch. For mounting opaque apparatus holder plates, DIN rails and front panels. These must be fixed on the structure's front uprights. The working dimension is always 100mm less than the total height of the enclosure.

Description	Dimensions (mm) H	Code	Price EUR	Package/ No. of pieces
No. 2 montanti per guida DIN	1800	EH1800		1/2
No. 2 montanti per guida DIN	2000	EH2000		1/2

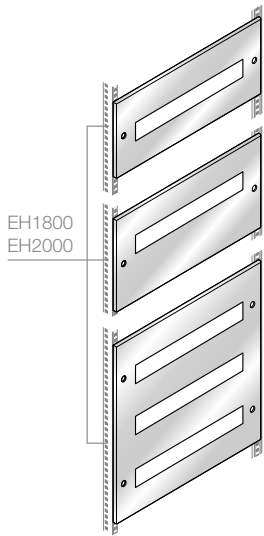
DIN rail kit

Kit consisting of a double aluminium section (DIN 35), complete with shaped brackets for fixing wiring ducts. Fixed directly on the uprights EH1800 or EH2000. The working dimension is always 100mm less than the total height of the enclosure.

Description	Dimensions (mm) W	Code	Price EUR	Package/ No. of pieces
DIN rail kit complete with supports for fixing front duct (maximum 60x80mm)				
DIN rail and fixing supports (18 DIN modules)	600	EH0018		1/1
DIN rail and fixing supports (29 DIN modules)	800	EH0029		1/1
DIN rail kit complete with supports for fixing rear duct (side ≥40mm)				
DIN rail and fixing supports (24 DIN modules)	600	EH0024		1/1
DIN rail and fixing supports (36 DIN modules)	800	EH0036		1/1
Supports for horizontal duct				
4 plastic supports for horizontal duct		AD1009		1/4
4 metal supports for horizontal duct		AD1037		1/4
Depth adapter				
Depth adapter for Tmax T1-T2-T3-XT1-XT3 W=600mm		AP6000		1/4



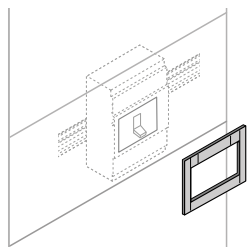
> Rapid selection table page 4/4 > In-depth technical information page 6/1 > Overall dimensions page 7/1



Panels for modular apparatuses

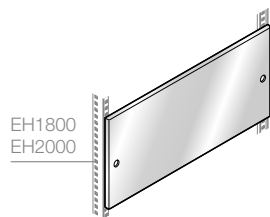
12/10 stainless steel panel with modular cut-out. The working dimension of the enclosure is always 100mm less than the total height of the enclosure.

Description	Dimensions (mm)		Code	Price EUR	Package/ No. of pieces
	H	W			
Panel, 18 DIN mod.	150	600	EH1518X		1/1
	200	600	EH2018X		1/1
Panel, 18 DIN mod. eccentric	300	600	EH3018X		1/1
Panel, 54 DIN mod. (3 rows x 18 mod.)	600	600	EH6018X		1/1
Panel, 29 DIN mod.	150	800	EH1529X		1/1
	200	800	EH2029X		1/1
Panel, 29 DIN mod. eccentric	300	800	EH3029X		1/1
Panel, 87 DIN mod. (3 rows x 29 mod.)	600	800	EH6029X		1/1
Panel, 24 DIN mod.	150	600	EH1524X		1/1
	200	600	EH2024X		1/1
Panel, 72 DIN mod. (3 rows x 24 mod.)	600	600	EH6025X		1/1
Panel, 36 DIN mod.	150	800	EH1536X		1/1
	200	800	EH2036X		1/1
Panel, 108 DIN mod. (3 rows x 36 mod.)	600	800	EH6036X		1/1



Tmax XT cover plate for DIN rail

Description	Code	Price EUR	Package/ No. of pieces
Cover plate for Tmax XT1 3P mounted on DIN rail	AD3301		1/1
Cover plate for Tmax XT1 4P mounted on DIN rail	AD3302		1/1
Cover plate for Tmax XT3 3P mounted on DIN rail	AD3303		1/1
Cover plate for Tmax XT3 4P mounted on DIN rail	AD3304		1/1



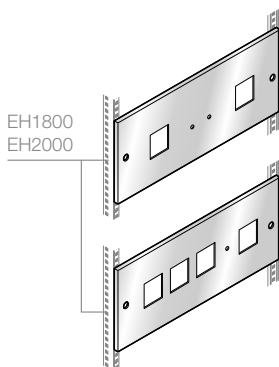
Opaque panels for apparatuses

12/10 stainless steel opaque panel. The working dimension of the enclosure is always 100mm less than the total height of the enclosure.

Description	Dimensions (mm)		Code	Price EUR	Package/ No. of pieces
	H	W			
Opaque panel	50	600	EH0562X		1/1
Opaque panel	100		EH1062X		1/1
Opaque panel	150		EH1562X		1/1
Opaque panel	200		EH2062X		1/1
Opaque panel	300		EH3063X		1/1
Opaque panel	400		EH4062X		1/1
Opaque panel	500		EH5062X		1/1
Opaque panel	600		EH6062X		1/1
Opaque panel	50	800	EH0582X		1/1
Opaque panel	100		EH1082X		1/1
Opaque panel	150		EH1582X		1/1
Opaque panel	200		EH2082X		1/1
Opaque panel	300		EH3082X		1/1
Opaque panel	400		EH4082X		1/1
Opaque panel	500		EH5082X		1/1
Opaque panel	600		EH6082X		1/1

ISX modular cabinets

Ordering codes

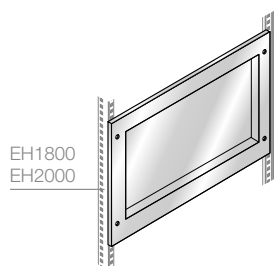


Panels for square measuring instruments

12/10 stainless steel panel with cut-outs for measuring instruments. The working dimension of the enclosure is always 100mm less than the total height of the enclosure.

Description	Dimensions (mm)		Code	Price EUR	Package/ No. of pieces
	H	W			
Panel for 2 instruments 72x72mm	200	600	EH2272X		1/1
Panel for 4 instruments 72x72mm			EH2472X		1/1
Panel for 2 instruments 96x96mm			EH2297X		1/1
Panel for 2 instruments 72x72mm	200	800	EH3272X		1/1
Panel for 2 instruments 96x96mm			EH3296X		1/1
Panel for 4 instruments 72x72mm			EH3472X		1/1
Panel for 4 instruments 96x96mm			EH3496X		1/1

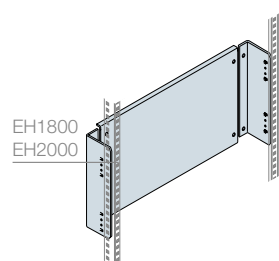
4



Recessed opaque panels

15/10 stainless steel opaque panel. The working dimension of the enclosure is always 100mm less than the total height of the enclosure.

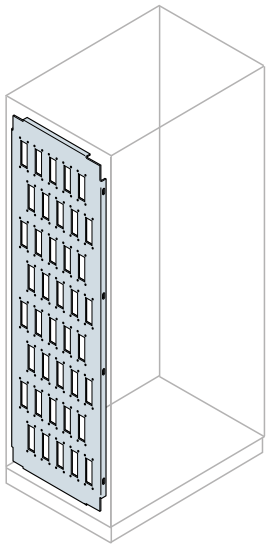
Description	Dimensions (mm)		Code	Price EUR	Package/ No. of pieces
	H	W			
Recessed opaque panel	200	600	EH2063X		1/1
Recessed opaque panel		800	EH2083X		1/1
Recessed opaque panel	300	600	EH3064X		1/1
Recessed opaque panel		800	EH3083X		1/1
Recessed opaque panel	400	600	EH4064X		1/1
Recessed opaque panel		800	EH4083X		1/1
Recessed opaque panel	500	600	EH5063X		1/1
Recessed opaque panel		800	EH5084X		1/1
Recessed opaque panel	600	600	EH6063X		1/1
Recessed opaque panel		800	EH6084X		1/1



Opaque apparatus holder back plates

15/10 thick opaque apparatus holder back plate. Fixed directly on uprights EH1800 or EH2000. The working dimension is always 100mm less than the total height of the enclosure.

Description	Dimensions (mm)		Code	Price EUR	Package/ No. of pieces
	H	W			
Opaque apparatus holder back plate	200	600	EH2065		1/1
Opaque apparatus holder back plate	300		EH3065		1/1
Opaque apparatus holder back plate	400		EH4065		1/1
Opaque apparatus holder back plate	200	800	EH2085		1/1
Opaque apparatus holder back plate	300		EH3085		1/1
Opaque apparatus holder back plate	400		EH4085		1/1

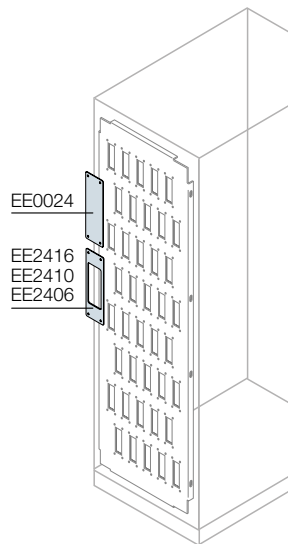


Connector holder panel

20/10 thick galvanised sheet steel panel prepared with drilled holes for 24-pole connectors.

Description	Total No. of holes	No. of rows/holes	Dimensions (mm)		Code	Price EUR	Package/No. of pieces
			H	W			
Connector holder panel	36	9/4	1800	500	EE1852		1/1
Connector holder panel	45	9/5		600	EE1862		1/1
Connector holder panel	40	10/4	2000	500	EE2052		1/1
Connector holder panel	50	10/5		600	EE2062		1/1

4



Connector plate

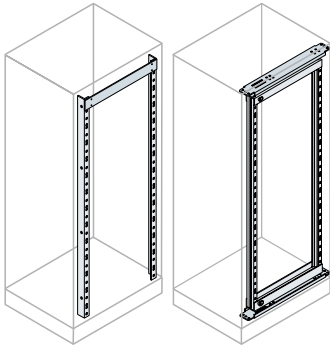
These allow unused holes on connector holder plates to be closed.

Description	Code	Price EUR	Package/No. of pieces
10 x 24 pole connector closing plates	EE0024		1/1
5 plates for reducing connectors from 24 to 16 poles	EE2416		1/1
5 plates for reducing connectors from 24 to 10 poles	EE2410		1/1
5 plates for reducing connectors from 24 to 6 poles	EE2406		1/1

ISX modular cabinets

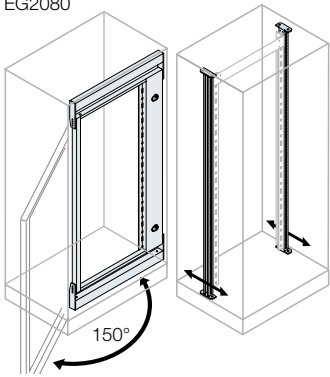
Ordering codes

4



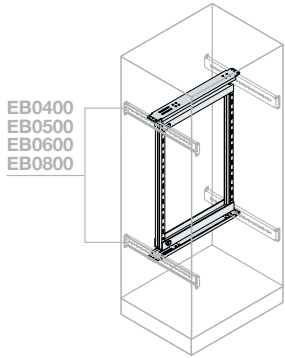
EG1800
EG2000
EG1880
EG2080

EG1801K
EG2001K

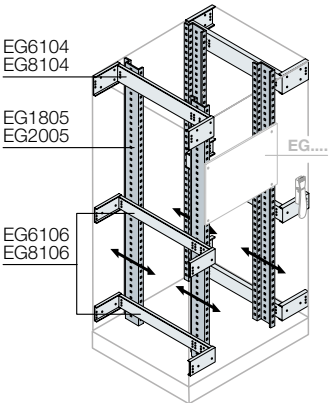


EG1803K
EG2003K

EM1804
EM2004



EB0400
EB0500
EB0600
EB0800



EG6104
EG8104

EG1805
EG2005

EG6106
EG8106

19" rack frames

The fixed frames are made of 20/10 galvanised steel. Centred and eccentric swing frames are made of 20/10 steel painted in RAL 7035 and are complete with handle and lock with double tongue key. Swing frame standard opening is 150°, hinged on the right or the left.

Description	Dimensions (mm)		Code	Price EUR	Package/No. of pieces
	H	W			
Fixed rack frame 38HE	1800	600	EG1800		1/1
Fixed rack frame 38HE		800	EG1880		1/1
Fixed rack frame 42HE	2000	600	EG2000		1/1
Fixed rack frame 42HE		800	EG2080		1/1
Centred swing rack frame 36HE	1800	600	EG1801K		1/1
Eccentric swing rack frame 34HE		800	EG1803K		1/1
Centred swing rack frame 40HE	2000	600	EG2001K		1/1
Eccentric swing rack frame 38HE		800	EG2003K		1/1

Uprights for adjusting 19" rack frames depth

Description	Dimensions (mm)		Code	Price EUR	Package/No. of pieces
	H	W			
2 uprights for adjusting fixed rack frame depth	1800		EM1804		1/2
2 uprights for adjusting fixed rack frame depth	2000		EM2004		1/2

Partial swing 19" rack frames

Description	Dimensions (mm)		Code	Price EUR	Package/No. of pieces
	H	W			
Partial swing rack frame 9HE	500	600	EG0500K		1/1
Partial swing rack frame 18HE	900	600	EG0900K		1/1
Partial swing rack frame 27HE	1300	600	EG1300K		1/1

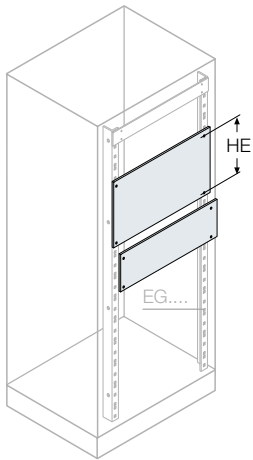
19" rack frames for server cabinet

The server cabinet 19" rack frame is made of 20/10mm galvanised sheet steel and is fixed on the special crosspieces. Depth adjustable.

Description	Dimensions (mm)		Code	Price EUR	Package/No. of pieces
	H	W			
No. 2 cranked section 19" rack uprights	1800	800	EG1805		1/2
No. 2 cranked section 19" rack uprights	2000	800	EG2005		1/2

19" Server rack frame fixing crosspieces

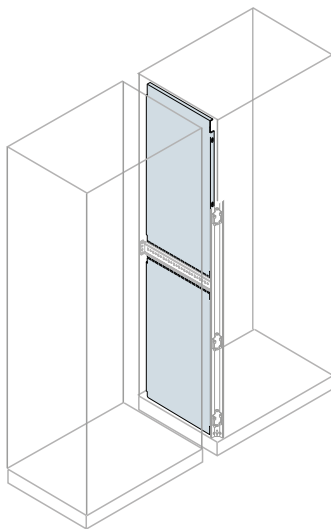
Description	Dimensions (mm)		Code	Price EUR	Package/No. of pieces
	D	W			
2 upper crosspieces	600		EB6104		1/2
2 central/lower crosspieces	600		EB6106		1/2



Opaque aluminium panels for 19" rack frames

Opaque compensation panels made of 30/10 thick opaque natural-coloured anodised aluminium, with 465mm centre-to-centre distance between holes.

Description	Dimensions (mm)		Code	Price EUR	Package/ No. of pieces
	H				
Panel for 19" rack frame 1HE	44,45		EG1991		1/1
Panel for 19" rack frame 2HE	89		EG1902		1/1
Panel for 19" rack frame 3HE	133		EG1903		1/1
Panel for 19" rack frame 4HE	177,5		EG1904		1/1
Panel for 19" rack frame 5HE	222		EG1905		1/1
Panel for 19" rack frame 6HE	266,5		EG1906		1/1
Panel for 19" rack frame 7HE	311		EG1907		1/1
Panel for 19" rack frame 8HE	355,5		EG1908		1/1
Panel for 19" rack frame 9HE	400		EG1909		1/1
Panel for 19" rack frame 10HE	444,5		EG1910		1/1
Panel for 19" rack frame 11HE	488		EG1911		1/1
Panel for 19" rack frame 12HE	533		EG1912		1/1
Panel for 19" rack frame 13HE	577,5		EG1913		1/1
Panel for 19" rack frame 14HE	622		EG1914		1/1
Panel for 19" rack frame 15HE	666		EG1915		1/1
Panel for 19" rack frame 16HE	711		EG1916		1/1
Panel for 19" rack frame 17HE	755,5		EG1917		1/1
Panel for 19" rack frame 18HE	800		EG1918		1/1
Panel for 19" rack frame 19HE	844,5		EG1999		1/1
Panel for 19" rack frame 20HE	889		EG1920		1/1



Vertical partition panels for side by side structures

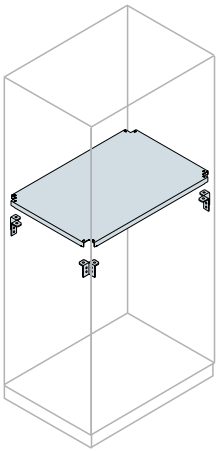
20/10 thick galvanised sheet steel panel divided into two parts. When the side crosspiece H=48mm is present, use the pre-cut areas.

Description	Dimensions (mm)		Code	Price EUR	Package/ No. of pieces
	H	D			
Vertical partition panel	1800	400	EE1841		1/1
Vertical partition panel		500	EE1851		1/1
Vertical partition panel		600	EE1861		1/1
Vertical partition panel	2000	400	EE2041		1/1
Vertical partition panel		500	EE2051		1/1
Vertical partition panel		600	EE2061		1/1

ISX modular cabinets

Ordering codes

4



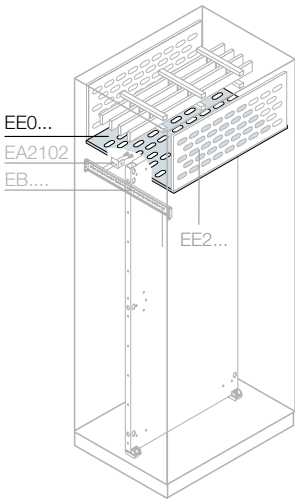
Horizontal partition panels

15/10 thick galvanised sheet steel panel, for horizontally separating the various components inside the structure.

Description	Dimensions (mm)		Code	Price EUR	Package/ No. of pieces
	W	D			
Horizontal partition panel	600		EE6041		1/1
Horizontal partition panel	800	400	EE8041		1/1
Horizontal partition panel	1000		EE1041		1/1
Horizontal partition panel	600		EE6051		1/1
Horizontal partition panel	800	500	EE8051		1/1
Horizontal partition panel	1000		EE1051		1/1
Horizontal partition panel	600		EE6061		1/1
Horizontal partition panel	800	600	EE8061		1/1
Horizontal partition panel	1000		EE1061		1/1
Horizontal partition panel sliding ⁽¹⁾	600	600	EE1003K		1/1
Horizontal partition panel sliding ⁽¹⁾	800	600	EE1004K		1/1

⁽¹⁾ Including fixing crosspieces and relative accessories.

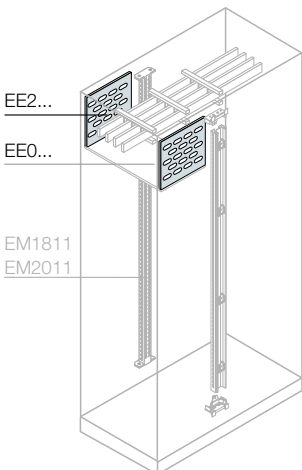
Do not fit with double doors W=800/1000mm.



Horizontal busbar segregations

Drilled sheet metal panels (IP20), for busbar system segregation. Cannot be fitted in cabinets with compartment configurations or with DIN frame.

Description	Dimensions (mm)		Code	Price EUR	Package/ No. of pieces
	W	D			
Horizontal segregation		400	EE0640		1/1
Horizontal segregation	600	500	EE0650		1/1
Horizontal segregation		600	EE0660		1/1
Horizontal segregation		400	EE0840		1/1
Horizontal segregation	800	500	EE0850		1/1
Horizontal segregation		600	EE0860		1/1
Horizontal segregation		400	EE1040		1/1
Horizontal segregation	1000	500	EE1050		1/1
Horizontal segregation		600	EE1060		1/1

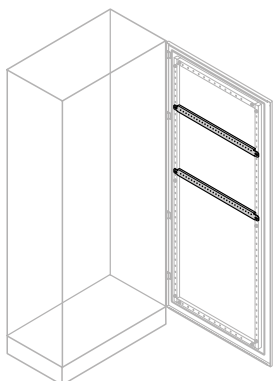


Vertical busbar segregations

Drilled sheet metal panels (IP20), for busbar system segregation.

Description	Dimensions (mm)		Code	Price EUR	Package/ No. of pieces
	H	W			
Pair of vertical segregations	200	600	EE2600		1/2
Pair of vertical segregations	200	800	EE2800		1/2
Pair of vertical segregations	200	1000	EE2100		1/2

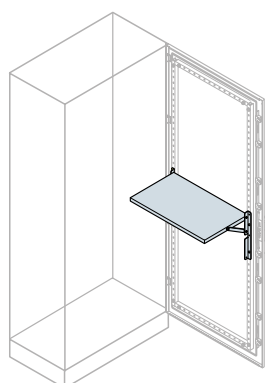
> Rapid selection table page 4/4 > In-depth technical information page 6/1 > Overall dimensions page 7/1



Horizontal reinforcement sections for doors

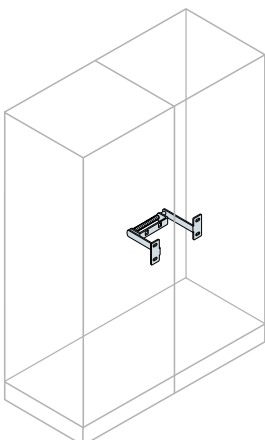
Crosspieces made of galvanised sheet metal with drilling with 25mm pitch, for fixing accessories (e.g.: wiring ducts) inside opaque doors. Fixed to the door reinforcement tube.

Description	Dimensions (mm)		Price EUR	Package/ No. of pieces
	W	Code		
2 horizontal sections h=35mm	600	EB1041		1/2
2 horizontal sections h=35mm	800	EB1042		1/2
2 horizontal sections h=35mm	1000	EB1043		1/2



Folding shelves for door

Description	Door (mm)		Price EUR	Package/ No. of pieces
	W	Code		
Shelf 437x244mm (WxD)	600	EV1060K		1/1
Shelf 637x244mm (WxD)	800	EV1061K		1/1



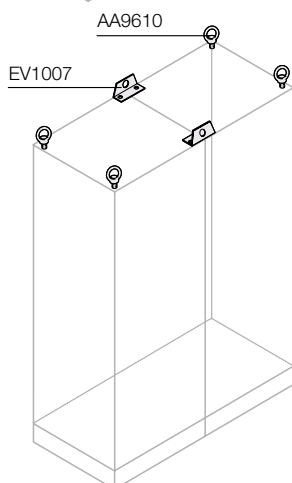
Door anti-closure and locking device

Description	Code	Price EUR	Package/ No. of pieces
Door anti-closure device	EV0005		1/1

Door lock

If several cabinets are placed side by side, this prevents one door from being opened before the adjacent door has been opened. Therefore, opening of the doors in an entire battery of cabinets placed side by side can be constrained to the opening of a single door. Can be fitted on opaque doors $W \geq 600\text{mm}$ with the same opening direction.

Description	Code	Price EUR	Package/ No. of pieces
Door lock	EV1160		1/1



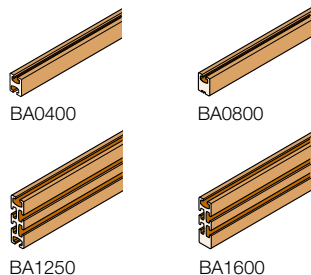
Lifting eyebolts and reinforcements

These allow cabled enclosure handling. The lifting eyebolts are made of white passivated galvanised steel. The lifting reinforcements are painted grey RAL7012 with a textured finish.

Description	Code	Price EUR	Package/ No. of pieces
4 eyebolts M12	AA9610		1/4
2 lifting reinforcements	EV1007		1/2

ISX modular cabinets

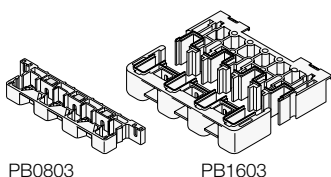
Ordering codes



Distribution busbars with shaped section

Description	Dimensions (mm)		Price EUR	Package/ No. of pieces
	W	Code		
Busbar In=400A	1730	BA0400		1/1
Busbar In=800A	1730	BA0800		1/1
Busbar In=1250A	1730	BA1250		1/1
Busbar In=1600A	1730	BA1600		1/1

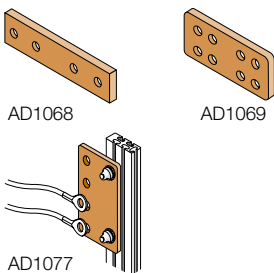
4



Busbar holders for busbars with shaped section

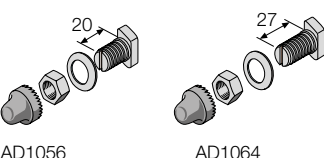
For use with crosspieces H=48mm to be drilled (see page 4/17).

Description	Code	Price EUR	Package/ No. of pieces
Linear busbar holder In=800A - 35kA	PB0803		1/1
Linear busbar holder up to In=1600A - 65kA	PB1603		1/1



Joints for busbars

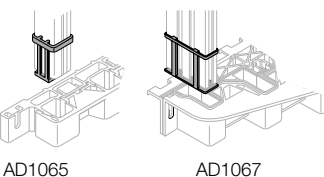
Description	Code	Price EUR	Package/ No. of pieces
4 joints for 800A busbars with shaped section (with 800/1250/1600A busbars)	AD1068		1/1
4 joints for 1250/1600A busbars with shaped section (with 1250/1600A busbars)	AD1069		1/1
4 x 400A copper branch joints	AD1077		1/1



Hammer seal screws

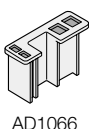
Complete with screw covering cap.

Description	Code	Price EUR	Package/ No. of pieces
12 x M8 screws - W=20mm for cable terminal	AD1056		1/12
12 x M8 screws - W=27mm for plates up to 10mm	AD1064		1/12



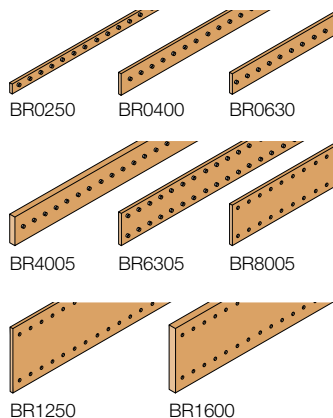
Resting bases

Description	Code	Price EUR	Package/ No. of pieces
4 resting bases for 400/800A busbars	AD1065		1/4
4 resting bases for 1250/1600A busbars	AD1067		1/4



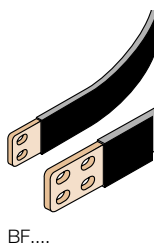
Busbar adapter

Description	Code	Price EUR	Package/ No. of pieces
4 adapters for busbars In =400/800A with busbar holder (PB1603)	AD1066		1/4



Flat busbars

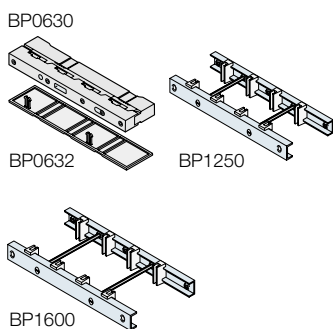
Description	Dimensions (mm)		Code	Price EUR	Package/ No. of pieces
	W				
2 busbars In=250A section 15x5mm	1750		BR0250		1/2
2 busbars In=400A section 25x5mm	1750		BR0400		1/2
2 busbars In=630A section 30x10mm	1750		BR0630		1/2
2 busbars In=400A, section 32x5mm	1750		BR4005		1/2
2 busbars In=630A, section 50x5mm	1750		BR6305		1/2
2 busbars In=800A, section 63x5mm	1750		BR8005		1/2
2 busbars In=1250A, section 100x5mm	1750		BR1250		1/2
2 busbars In=1600A, section 100x10mm	1750		BR1600		1/2



Flexible busbars

Description	Dimensions (mm)		Code	Price EUR	Package/ No. of pieces
	W				
2 flexible busbars, section 20x3 In=250A	2000		BF1602		1/2
2 flexible busbars, section 20x5 In=400A	2000		BF2502		1/2
2 flexible busbars, section 24x6 In=500A	2000		BF4002		1/2
2 flexible busbars, section 32x5 In=630A	2000		BF4012 ⁽¹⁾		1/2
2 flexible busbars, section 40x8 In=1000A	2000		BF6302		1/2
2 flexible busbars, section 50x10 In=1250A	2000		BF8002		1/2

⁽¹⁾ Only for circuit breakers with extended front terminals or rear terminals.



Busbar holders

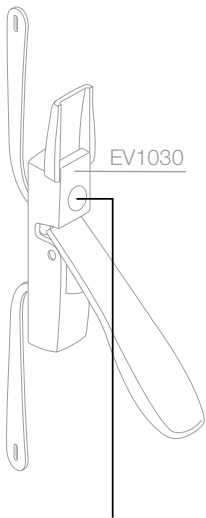
For use with crosspieces H=48mm to be drilled (see page 4/19).

Description	Code	Price EUR	Package/ No. of pieces
2 flat busbar holders In=250A-630A - 32kA	BP0630		1/2
2 terminal covers for flat busbar holders BP0630	BP0632		1/2
2 busbar holders for 5mm thick busbars	BP1250		1/2
2 busbar holders for 10mm thick busbars	BP1600		1/2

ISX modular cabinets

Ordering codes

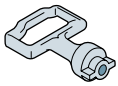
4



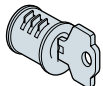
Closing systems

May substitute standard fasteners for the external doors. The inserts are interchangeable and easily substituted by loosening a single nut.

Description	Code	Price EUR	Package/ No. of pieces
Spare parts and accessories for EV1030 handle			
Handle complete with lock	EV1030		1/1
Zamak (Zn+Al+Mg) alloy key for double tongue insert, for external door, single door version	AD1058		1/1
Yale insert and key for external door, single door version	AA6200		1/1
Ronis E739 insert and key for external door, single door version	AA8004		1/1
Ronis insert 455 and key	PIRH0455		1/1
Ronis insert 2432E and key	PIRH2432		1/1
Ronis insert 1242E and key	PIRH1242		1/1
Ronis insert 405 and key	PIRH0405		1/1
FIST (FIAT) insert for external door, single door version	AA6160		1/1
FIAT key for external door, single door version	AA1570		1/1
Triangular insert, 6.4 male on Ø7.6, for external door, single door version	AA6120		1/1
Key for triangular insert for external door, single door version	AA1560		1/1
Square insert, 7 male, for external door, single door version	AA6140		1/1
Key for square insert for external door, single door version	AA6141		1/1
Hexagonal insert, 8mm socket type; key not available; for external door, single door version	AA6180		1/1
Plastic key for triangular insert AA5200 for external door, double doors version	AA6190		1/1
Box Ø19mm double tongue, chrome-finished plastic and key for external door, double doors version	AA8001X		1/1
Spare parts and accessories for EV1008 box			
Box with double tongue insert made of plastic with key for inner door	EV1008		1/1
Single code Yale insert for inner door	EV1036		1/1
Ronis 455 insert for inner door	EV1037		1/1
3mm double tongue insert for inner door	EV1039		1/1
Double tongue insert for handle/closing box	AA6100		1/1



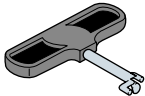
AD1058



AA6200
AA8004



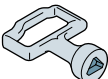
AA6160



AA1570



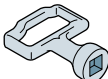
AA6120



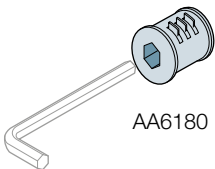
AA1560



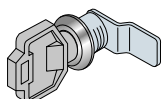
AA6140



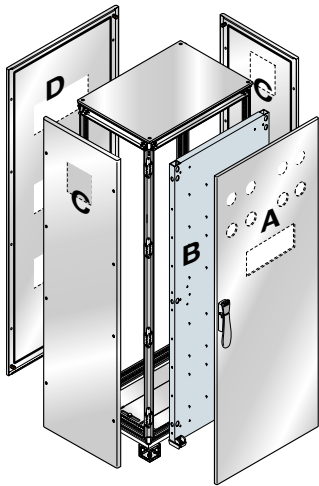
AA6141



AA6180



AA8001X
External door double door version



Special drilling service

The extra cost depends on the number of individual parts drilled rather than the number of holes made.

By individual part we mean: A-door; B-plate; C-sides; D-back and E-roof.

The special drilling service must be managed using code ES...X/SPEC plus the code FORISX.

Include the layout drawing of the holes to be drilled (see page 7/28 for possible drilling areas).

Description	Code	Price EUR	Package/ No. of pieces
Extra cost for drilling service per individual part ISX	FORISX		

Special painting service

This service is managed by offer.

Spare parts

Description	Dimensions (mm)		Code	Price EUR	Package/ No. of pieces
	H	W			
Opaque door	1800	600	EC1860X		1/1
Opaque door		800	EC1880X		1/1
Opaque door		1000	EC1810X		1/1
Opaque door	2000	600	EC2060X		1/1
Opaque door		800	EC2080X		1/1
Opaque door		1000	EC2012X		1/1
Glass door	1800	600	ET1860X		1/1
Glass door		800	ET1880X		1/1
Glass door		1000	ET1810X		1/1
Glass door	2000	600	ET2060X		1/1
Glass door		800	ET2080X		1/1
Glass door		1000	ET2010X		1/1
Opaque door with overlapping closing	1800	600	ED1812SX		1/1
Opaque door with overlapping closing	2000	600	ED2012SX		1/1
Opaque door for double doors version	1800	600	EC1880FC6X		1/1
Opaque door for double doors version	2000	600	EC2080FC6X		1/1
Rear panel	1800	600	EP1860X		1/1
Rear panel		800	EP1880X		1/1
Rear panel		1000	EP1811X		1/1
Rear panel		1200	EP1812X		1/1
Rear panel	2000	600	EP2060X		1/1
Rear panel		800	EP2080X		1/1
Rear panel		1000	EP2010X		1/1
Rear panel		1200	EP2012X		1/1

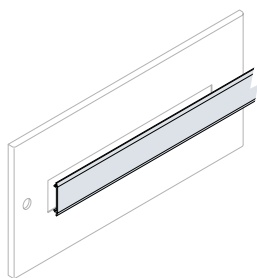
Accessories common to all series

Ordering codes

5/2

Accessories common to all series

Ordering codes



SRX enclosures - AMX monobloc cabinets - ISX modular cabinets

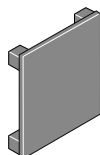
Accessories for modular panels

RAL7035 coloured hole covering strip

Description	Code	Price EUR	Package/ No. of pieces
10 hole covers W=2000mm	AD1086		1/10
3 hole covers 24 DIN modules W=600	AD1088		1/3
3 hole covers 36 DIN modules W=800	AD1089		1/3



EV1137



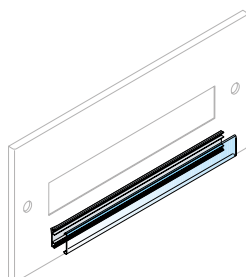
EV1135
EV1136

Closing plugs for instrument holder panels

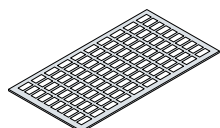
Description	Code	Price EUR	Package/ No. of pieces
10 closing plugs for instrument holder panel 72x72mm	EV1135		1/10
5 closing plugs for instrument holder panel 96x96mm	EV1136		1/5
50 closing plugs for pushbuttons Ø22mm	EV1137		1/50

Adhesive label holder

Description	Dimensions (mm) W	Code	Price EUR	Package/ No. of pieces
20 label holders 18 DIN mod.	325	EH2118		1/20
20 label holders 29 DIN mod.	525	EH2129		1/20
20 label holders 24 DIN mod.	432	AD1600		1/20
20 label holders 36 DIN mod.	634	AD1800		1/20



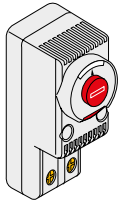
AD1101-AD1102
AD1103-AD1104



EH2118-EH2129
AD1600-AD1800

Labels can be written using a Grafoplast compatible system

Description	No. of DIN mod.	Code	Price EUR	Package/ No. of pieces
288 labels 1 DIN mod.	1	AD1101		1/288
192 labels 2 DIN mod.	2	AD1102		1/192
96 labels 3 DIN mod.	3	AD1103		1/96
96 labels 4 DIN mod.	4	AD1104		1/96

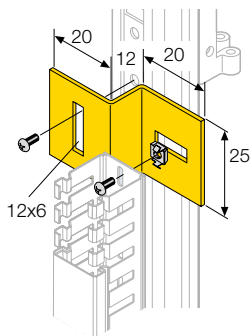
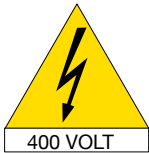
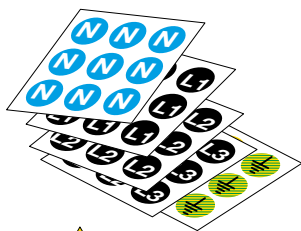


SRX enclosures - AMX monobloc cabinets - ISX modular cabinets

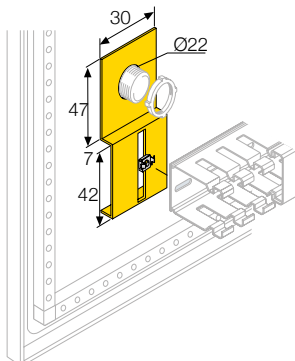
IP20 thermostat

Conforms to EN 60730-1, EN 60730-2-9, UL and cURus approval, degree of protection IP20. Grey RAL 7035 colour; electrical life 100,000 cycles. Dimensions (h_xw_xd) 68x29x44mm, can be mounted on all types of DIN rails. The version with NO (normally open) contact allows a circuit to be made, activating ventilation, air conditioning, or alarms. The version with NC (normally closed) contact allows a circuit to be broken, disconnecting any anti-condensation heating elements.

Description	Standard power supply ~ 50-60 Hz	Code	Price EUR	Package/ No. of pieces
NO ventilation thermostat	110/250	EN0101K		1/1
NC heating thermostat	110/250	EN0102K		1/1



EV1130



EV1131

Code	Power supply	Contact capacity Load Ω	Load L	Temperature scale	Type of contact	Weight
EN0101K	110/250~	10A	2A	-10 +80 °C	NO	48g
EN0102K	110/250~	10A	2A	-10 +80 °C	NO	48g

Markings

Description	Code	Price EUR	Package/ No. of pieces
490 adhesive labels Ø12mm N symbol	EV1150		1/490
490 adhesive labels Ø12mm L1 symbol	EV1151		1/490
490 adhesive labels Ø12mm L2 symbol	EV1152		1/490
490 adhesive labels Ø12mm L3 symbol	EV1153		1/490
490 adhesive labels Ø12mm T symbol	EV1154		1/490
10 triangular adhesive labels 125mm with 400V arrow symbol	EV1155		1/10
300 triangular adhesive labels 20mm with arrow symbol	EV1156		1/300

Apparatus screws

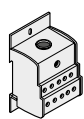
Description	Code	Price EUR	Package/ No. of pieces
1000 Phillips (cross head slot) piercing screws 4.2x13mm	EV1100		1/1100
1000 cross head slot piercing screws 4.2x19mm	EV1101		1/1000
20 M6 cage nuts with front insertion	AD1036		1/20
50 M6 three-lobe spare screws L=16mm	AD1033		1/50

Wiring duct support brackets

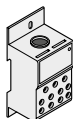
Description	Code	Price EUR	Package/ No. of pieces
100 wiring duct support brackets on structure uprights	EV1130		1/100
100 wiring duct support brackets on pushbuttons Ø22	EV1131		1/100

Accessories common to all series

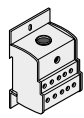
Ordering codes



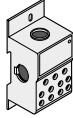
AD1076



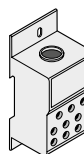
AD1080



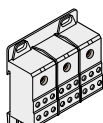
AD1007



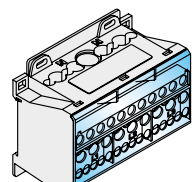
AD1081



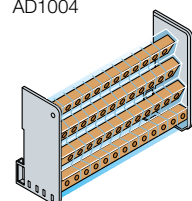
AD1031
AD1030



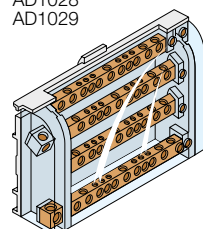
AD1075
AD1006



AD1004



AD1028
AD1029



AD1027

SRX enclosures - AMX monobloc cabinets - ISX modular cabinets

Modular distribution blocks



Description		Code	Price EUR	Package/ No. of pieces
Single-pole				
Modular distribution block 125A - 10 outputs		AD1076		1/1
Modular distribution block 125A - 6 outputs		AD1080		1/1
Modular distribution block 160A - 10 outputs		AD1007		1/1
Modular distribution block 160A - 6 outputs		AD1081		1/1
Modular distribution block 250A		AD1030		1/1
Modular distribution block 400A		AD1031		1/1
Three-pole				
Modular distribution block 125A		AD1075		1/1
Modular distribution block 160A		AD1006		1/1
Four-pole				
Modular distribution block 125A		AD1004		1/1
Modular distribution block 125A Medium 93x89x48mm (HxWxD)		AD1028		1/1
Modular distribution block 125A Large 96x126x48mm (HxWxD)		AD1029		1/1
Modular distribution block 160A		AD1027		1/1

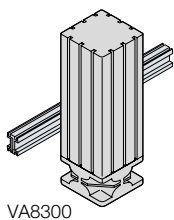
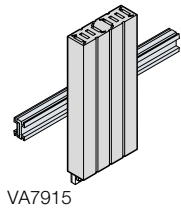
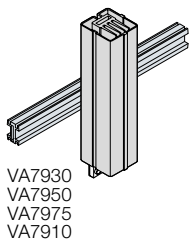
SRX enclosures - AMX monobloc cabinets - ISX modular cabinets

Heater for IP20 electrical switchboards

Their use prevents condensation in the electric cabinets. They consist of a heating element (PTC thermistor) inserted in an aluminium alloy ground plate. The PTC thermistor is a component which modifies its impedance according to the operating temperature. It is intrinsically stable and ensures primary safety features for the heater and service stability. The main qualities of the heaters using PTC are:

- electrical absorption (or dissipated power) which is almost constant in the range of power supply voltage between 100 and 250V;
- electrical absorption bound by inverse law to the trend of the ambient temperature.

The special tubular geometry of the ground plate allows efficient thermal exchange with the heating element. This allows high powers and limited overall dimensions (especially in width and depth); Snap-on assembly on 35 mm DIN rail. Requires a thermostat.



Description	Dimensions (mm)			Code	Price EUR	Package/ No. of pieces
	H	W	D			
Anti-condensation heater 30W, 110-240V ac-dc	115	42	42	VA7930 ⁽¹⁾		1/1
Anti-condensation heater 50W, 110-240V ac-dc	165	42	42	VA7950 ⁽¹⁾		1/1
Anti-condensation heater 75W, 110-240V ac-dc	210	42	42	VA7975 ⁽¹⁾		1/1
Anti-condensation heater 100W, 110-240V ac-dc	165	42	51	VA7910		1/1
Anti-condensation heater 150W, 110-240V ac-dc	146	82	51	VA7915		1/1
Anti-condensation heater with fan 300W, 230V ac-dc	148	82	91	VA8300		1/1

⁽¹⁾ Can also be used for SRX enclosures.

All the heaters with PTC absorb a higher power than the rated one on inrush according to a transitory which lasts a few tenths of a second.

If the heaters are to be supplied by means of an auxiliary transformer, its apparent power must be sized taking 1.5 times the rated power of the heaters with natural aeration and twice those with forced ventilation into consideration.

IEC 890 method for calculating the effective cooling surface (CEI 17-43 method)

The total power dissipation P of an enclosure is linked to the exchange effective dissipating surface S, the ΔT difference between the inner and outer temperature and the k coefficient of heat exchange relative to the material of the enclosure:

$$P = k \cdot \Delta T \cdot S$$

$$k = 5,5 \text{ for painted steel}$$

$$\Delta T = T_1 - T_2;$$

T1 = dew point temperature (on average 25°C)

T2 = minimum ambient temperature.

The exchange surface S can be calculated using the following table taken from the CEI 17-43.

Disposition of the cabinet	Calculating the enclosure surface S (mm ²)	Dimensions (m)
Detached, exposed on all sides	$S = 1,8 \times H \times (L+P) + 1,4 \times L \times P$	L = width H = height P = depth
For closed to a wall structures	$S = 1,4 \times L \times (H+P) + 1,8 \times P \times H$	
Left or right exposed structure	$S = 1,4 \times P \times (H+L) + 1,8 \times L \times H$	
Left or right closed to a wall structure	$S = 1,4 \times H \times (P+L) + 1,4 \times L \times P$	
Central exposed structure	$S = 1,8 \times L \times H + 1,4 \times L \times P + P \times H$	
Central closed to a wall structure	$S = 1,4 \times L \times (H+P) + P \times H$	
Central closed to a wall structure, with covered roof	$S = 1,4 \times L \times H + 0,7 \times L \times P + P \times H$	

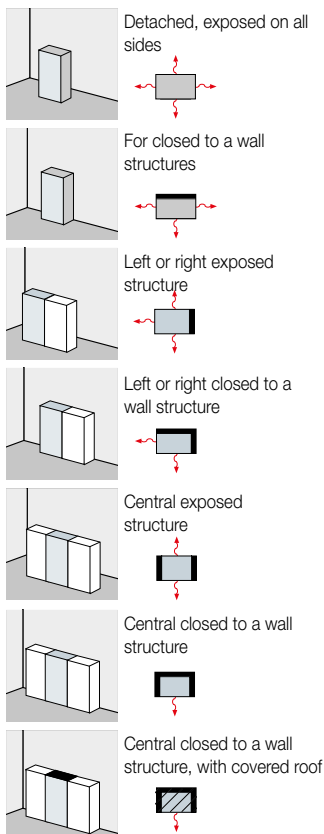
Using a TM2865X enclosure, in "for closed to a wall structures" case we will obtain:

$$T_1 = 25 \text{ }^\circ\text{C}, T_2 = 20 \text{ }^\circ\text{C}, K = 5,5 T = (25-20) = 5 \text{ }^\circ\text{C}, S = 3,2\text{m}^2$$

The total power dissipation P obtained will be:

$$P = k \cdot T \cdot S = 88\text{W}$$

The recommended heater is VA7910 (100W)



Accessories common to all series

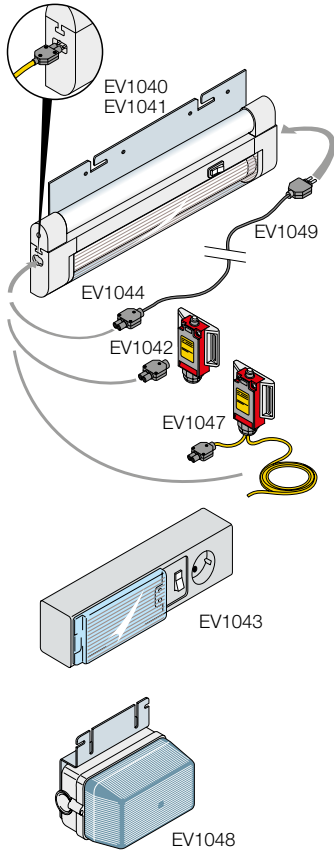
Ordering codes

AMX monobloc cabinets - ISX modular cabinets

Fluorescent lamps

The 8 and 13 W fluorescent lamps are complete with fixing bracket and can be integrated with the voltage detector devices. They have the following characteristics:

- rotatable 180 degrees about the axis of the aluminium bracket
- the shape of the lamp and the electronic tube guarantee very wide light emission and a 70% increase compared with traditional lamps. This means that an 8W lamp is comparable to a 14W one, and the 13W version to a 18/21W traditional lamp
- possibility of fitting up to 5 elements in series (fig. 1). The chain of lamps can be controlled by a single micro switch, simplifying installation operations and reducing the number of cables for connection of the elements



Description	Code	Price EUR	Package/ No. of pieces
Fluorescent lamp 8W-220/240V W=342mm	EV1040		1/1
Fluorescent lamp 13W-220/240V W=574mm	EV1041		1/1
System for positioning limit switch + connector (to be cabled)	AL EV1042		1/1
5 female two-pole connectors	EV1044		1/5
Two-pole cable L=10 metres	EV1045		1/1
Limit switch and cabled two-pole connector	AL EV1047*		1/1
Fluorescent lamp + socket 11W-230V l=355mm, complete with magnetic support	EV1043		1/1
Incandescent ceiling light on bracket (without lamp)	EV1048		1/1
No. 4 Male double poles connector for sequential lamps wiring	EV1049		1/4

* The pack contains 2 cables L=1900mm and L=380mm.

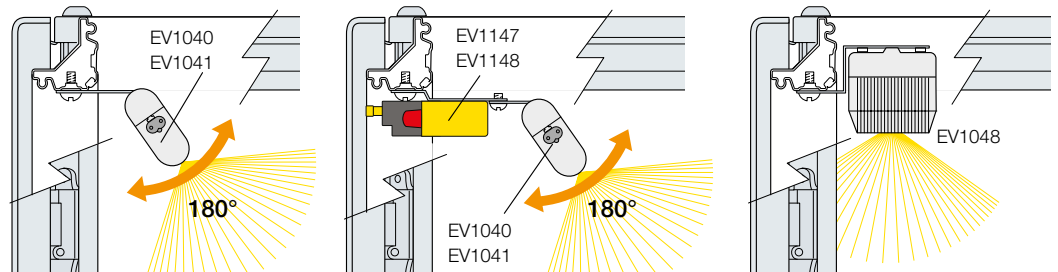
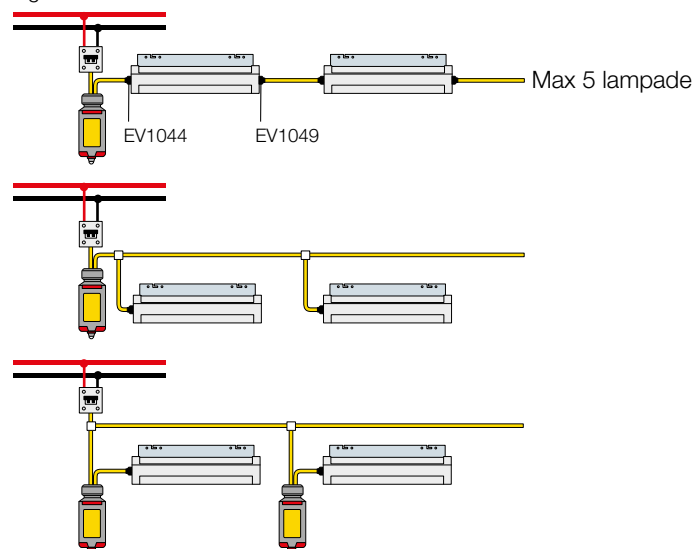
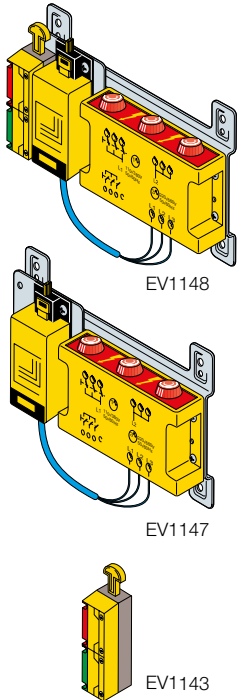


Fig. 1



Armadi monoblocco AMX - Armadi componibili ISX

Voltage detector devices



Allows the passive safety level to be increased inside the electric panel boards, flashing when the door is opened. The basic version consists of a three-phase flashing light, three-pole limit switch and fixing bracket.

Compared to the basic version, the one with an auxiliary circuit is completed with a mechanical interlock which activates the electric contacts to control the auxiliary circuits. The interlock is always fitted with a NC contact code EV1144 (NC installed with door closed) which allows supply of a current launching coil. A NC contact can be added code EV1144 (NC installed with door closed) to allow opening of an undervoltage coil. It is also possible to supply circuits relative to internal lighting and/or to turn off fans/air conditioners. NO contact EV1145 (NC installed with door closed) available. Order the fixing screws W=46mm code EV1146 separately for the additional contact. Possibility of exclusion during the testing stage with relative automatic recover when the door has been closed. Conforms to the EN60947- 5-1 Standards, UL/CSA approved, operating temperature from -25 °C to +65 °C.

Flashing: terminal capacity max. 3mm², U_e/I_e auxiliary contact capacity:

110V/6A, 230V/3A, 400V/2A, 600V/1.2A.

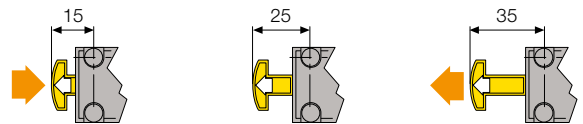
Rated thermal current I_{th}: 10 A

Max. terminal capacity: 2x1.5mm² / 1x3mm²

Flashing signalling device:

- Single phase 110-400V DC/AC 50/60Hz power supply voltage
- Three-phase AC 220-690V 50/60Hz

Description	U _e (V)	U _i (V)		Code	Price EUR	Package/ No. of pieces
Voltage detector device	380/600	690	⚡	EV1147		1/1
Voltage detector device + interlock + 1 NC contact	380/600	690	⚡	EV1148		1/1
Interlock + 1 NC contact			⚡	EV1143		1/1
1 NC contact			⚡	EV1144		1/1
1 NO contact			⚡	EV1145		1/1
Screw W=46mm x 2 contacts				EV1146		1/1

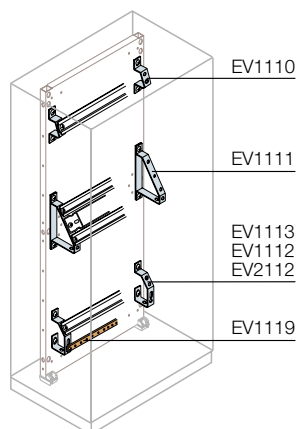


	Code	Closed door	Open door	Open door by pass
Position of contacts	EV1144	:]	:
	EV1145	[:	[

Accessories common to all series

Ordering codes

5



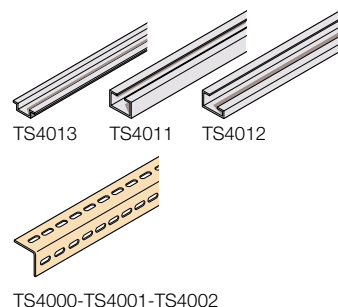
AMX monobloc cabinets - ISX modular cabinets

Angled supports for terminal boxes and earthing busbars

Description	Code	Price EUR	Package/ No. of pieces
50 angled supports, 1 row of terminals	EV1110		1/50
10 angled supports, 1 row of terminals	EV2110		1/10
50 angled supports, 1 row of terminals + earth	EV1112		1/50
10 angled supports, 1 row of terminals + earth	EV2112		1/10
2 angled supports, 1 row of terminals + earth	EV1113		1/2
10 angled supports, double row of terminals	EV1111		1/10

Shaped sections for accessories

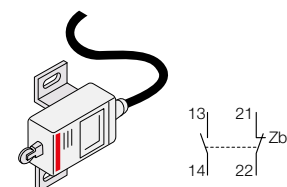
Various types of universal sections for mounting any component or for anchoring cables.



Description	Dimensions (mm)		Code	Price EUR	Package/ No. of pieces
	W	H			
2 sections for structures	600		TS0060		1/2
2 sections for structures	800		TS0080		1/2
2 sections for structures	1000		TS0100		1/2
2 sections for structures	1200		TS0120		1/2
2 sections for structures	1600		TS0160		1/2

Position switch

Conforms to the IEC 50047 Standard, IP65 degree of protection, UL/CSA approved, it can be mounted in all positions by means of the accessory provided. $U_i=500V$, Aux. contact $I_n=3A$ a 230V~, 1.8A at 400V~ (in AC-15 IEC 60947-5-1). Dimensions (h \times w \times d) 84x30x30mm.



Description	Code	Price EUR	Package/ No. of pieces
Door protective device for AMX	TA7100		1/1
Door protective device for ISX	EV1140		1/1

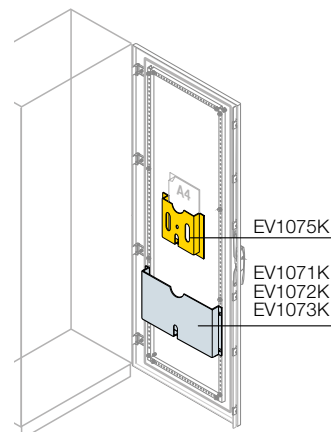


Diagram holder pockets RAL 7035

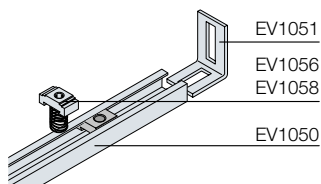
Description	Code	Price EUR	Package/ No. of pieces
Metal diagram holder pocket for door W=600mm	EV1071K		1/1
Metal diagram holder pocket for door W=800mm	EV1072K		1/1
Metal diagram holder pocket for door W=1000mm	EV1073K		1/1
Plastic diagram holder pocket for A4	EV1075K ⁽¹⁾		1/1

⁽¹⁾ Can also be used for SRX enclosures.

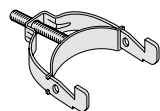
Armadi monoblocco AMX - Armadi componibili ISX

Cable anchoring brackets

Adjustable cable clamping bracket, can be fitted on sections with 10mm slot EV1050.

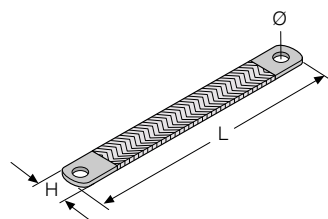


Description	Code	Price EUR	Package/ No. of pieces
10 cable clamping brackets Ø9-16mm min-max	EV1090		1/10
10 cable clamping brackets Ø16-30mm min-max	EV1091		1/10
5 cable clamping brackets Ø30-48mm min-max	EV1092		1/5
5 cable clamping brackets Ø48-72mm min-max	EV1093		1/5



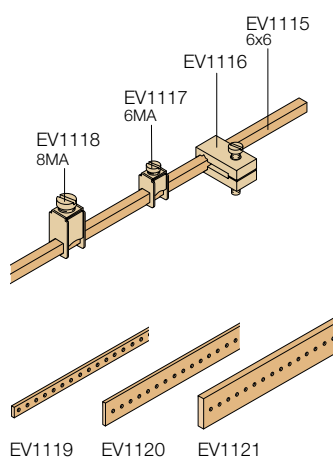
Aluminium sliding rails for general purposes

Description	Code	Price EUR	Package/ No. of pieces
10 aluminium sections 30x15x1.8 - L=2000mm	EV1050		1/10
25 fixing brackets for EV1050	EV1051		1/25
100 M6 aluminium nuts for EV1050	EV1056		1/100
100 M8 aluminium nuts for EV1050	EV1058		1/100



Earthing cables

Description	Dimensions (mm)		Code	Price EUR	Package/ No. of pieces
	H	W			
5 cables, cross-section 16mm ² Ø7mm	17	200	AA6840		1/5
5 cables, cross-section 16mm ² Ø7mm	17	300	AA6850		1/5
5 cables, cross-section 25mm ² Ø9mm	22	200	AA6880		1/5
5 cables, cross-section 25mm ² Ø9mm	22	300	AA6890		1/5



Neutral/earthing copper busbars

Description	Code	Price EUR	Package/ No. of pieces
Neutral/earthing busbar 6x6mm W=2000mm	EV1115		1/1
50 isolators for neutral/earthing busbar for EV1115	EV1116		1/50
100 terminals for cable Ø0.5-16mm ² for EV1115	EV1117		1/100
100 terminals for cable Ø4-35mm ² for EV1115	EV1118		1/100
2 busbars 20x5mm drilled and threaded M6 W=2000mm	EV1119		1/2
2 busbars 25x5mm drilled and threaded M6 W=2000mm	EV1120		1/2
2 busbars 50x5mm drilled and threaded M6 W=2000mm	EV1121		1/2
50 hexagonal isolators 30x30mm M6	EV1122		1/50
50 hexagonal isolators 30x30mm M8	EV1123		1/50
50 hexagonal isolators 36x50mm M6	EV1124		1/50
50 hexagonal isolators 36x50mm M8	EV1125		1/50

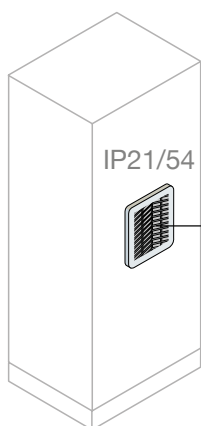
Accessories common to all series

Ordering codes

AMX monobloc cabinets - ISX modular cabinets

IP21/54 natural ventilation kit

Gratings made of insulating material (self-extinguishing ABS UL94V-0) RAL7035 colour, complete with high dust collection capacity filter cloth (600g/m²), able to reduce maintenance interventions (cleaning by means of washing in water or by beating). Degree of protection IP21 without filter, IP54 with filter according to IEC 60529, Type 1 without filter, Type 12 with filter according to UL approval 508 fitted with pre-assembled gasket seal. CE and cURus approval.



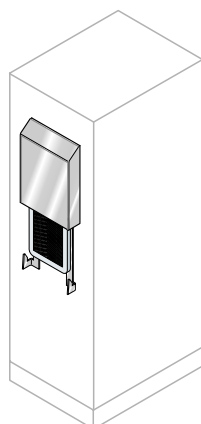
EN0105K
EN0150K
EN0204K
EN0250K
EN0325K

IP21/54

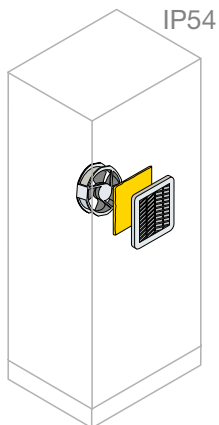
5

Description	Air entry surface for ventilation		Dimensions (mm)		Code	Price EUR	Package/ No. of pieces
	Without filter cm ²	With filter cm ²	W	H			
Grille+air pas- sage filter kit	27	6	105	105	EN0105K		1/1
Grille+air pas- sage filter kit	53	10	150	150	EN0150K		1/1
Grille+air pas- sage filter kit	121	22	204	204	EN0204K		1/1
Grille+air pas- sage filter kit	225	32	250	250	EN0250K		1/1
Grille+air pas- sage filter kit	317	55	325	325	EN0325K		1/1

IP56 Stainless steel hoods for ventilation kits



Description	Dimensions (mm)		Code	Price EUR	Package/ No. of pieces
	W	H			
Ventilation hood for EN1105K, EN2105K	105	105	EN0105X		1/1
Ventilation hood for EN1150K, EN2150K	150	150	EN0150X		1/1
Ventilation hood for EN1204K, EN2204K	204	204	EN0204X		1/1
Ventilation hood for EN1250K, EN2250K	250	250	EN0250X		1/1
Ventilation hood for EN2325K, EN3325K	325	325	EN0325X		1/1



AMX monobloc cabinets - ISX modular cabinets

IP54 forced ventilation kit

Grilles made of insulating material (ABS self-extinguishing UL94V-0) RAL7035 colour, complete with filter cloth with high dust accumulation capacity (600g/m²), able to reduce maintenance interventions (cleaning by washing with water or beating). IP54 degree of protection with filter according to UL approval 508 fitted with pre-mounted tightness gasket. Operating temperature -10 °C + 50 °C, for noise values see page 8/50. The fans allow reversible flow of air. CE and cURus (see mark) approval.

Description	Consumption 50/60Hz (W)	Capacity 50/60Hz (m ³ /h)	Dimensions (mm)		Code	Price EUR	Package/ No. of pieces
			W	W			
With IP54 230V ~ fan							
Ventilation filter	10/8	23/30	105	105	EN1105K		1/1
Ventilation filter	20/19	57/61	150	150	EN1150K		1/1
Ventilation filter	17/15	120/135	204	204	EN1204K		1/1
Ventilation filter	29/29	240/270	250	250	EN1250K		1/1
Ventilation filter	67/87	520/580	325	325	EN2325K		1/1
With IP 54 1150V ~ fan							
Ventilation filter	9/7	23/30	105	105	EN2105K		1/1
Ventilation filter	20/18	57/61	150	150	EN2150K		1/1
Ventilation filter	17/15	120/135	200	200	EN2204K		1/1
Ventilation filter	30/30	240/270	250	250	EN2250K		1/1
Ventilation filter	50/64	520/580	325	325	EN3325K		1/1

Special painting service

The customized painting service is available presenting a request of feasibility to our special product department (offer). See page 6/26 for all the available colors, other variants can be taken into consideration.

Special drilling service

The extra cost depends on the number of individual parts drilled rather than the number of holes made. Include the layout drawing of the holes to be drilled (see page 7/... for possible drilling areas).

Description	Code	Price EUR	Package/ No. of pieces
Extra cost for special drilling SRX	FORSRX		1/1
Extra cost for special drilling AMX	FORAMX		1/1
Extra cost for special drilling ISX	FORISX		1/1

In-depth technical information

Structures

Conformity to standards	6/2
Resistance to mechanical impact	6/3
Degrees of protection	6/4
NEMA "National Electrical Manufacturers Association" Classification	6/6
ATEX certification	6/7
Handling	6/8
Maximum capacities	6/10
Handling	6/14
Maximum capacities	6/16

Busbars with shaped section and flat busbars

Mechanical and electrical characteristics	6/19
Example of use - currents up to 1600A	6/24

Ventilation and air conditioning

General characteristics and applications	6/25
Technical characteristics	6/28

In-depth technical information

Conformity to standards

Reference standards

- CEI 17-70 "Guide to application of low voltage enclosure standards"
- IEC 61439-1-2 "Low voltage switchgear and control assemblies (LV switchboards) - Part 1: Type-tested (TTA) and partially type-tested (PTTA) assemblies"
- IEC EN 60529 (IEC 529-1) "Degrees of protection provided by enclosures (IP Code)"
- IEC 62262 "Degrees of protection provided by enclosures for electrical equipment against external mechanical impacts (IK Code)"
- CEI 17-43 (IEC 60890) "A method of temperature-rise assessment by extrapolation for partially type-tested assemblies of low voltage switch gear and control gear (LV switchboards) not mass-produced"
- ⁽¹⁾CEI 17-52 "Method of assessment of the short-circuit withstand of switchgear and controlgear assemblies not mass-produced (PTTA)"
- IEC EN 62208 "Empty enclosures for low voltage switchgear and controlgear assemblies. General requirements"
- IEC EN 60204-1 (IEC 60204-1) "Safety of machinery - Electrical equipment of machines. Part 1: General requirements"
- IEC 60068-2-57 "Environmental testing Part 2: Tests method. Vibration - Time history method"
- IEEE Std 693 "Recommended Practice for Seismic Design of Substation"

6

Laws which have implications for electrical enclosures

The new series of cabinets comply with national laws governing responsibilities concerning electrical apparatus and assemblies.

- Law 187/68, which states:
 - Art.1. All of the materials, apparatuses, machinery, assemblies and electrical and electronic plants must be professionally produced and built.
 - Art.2. The materials, apparatuses, machinery, assemblies and electrical plants produced in accordance with Italian Electrotechnical Committee standards are considered to be professionally built.
- The 2006/95/EC Low Voltage Directive (which substitutes 73/23/EEC and subsequent amendments) and indicates what safety characteristics electrical material marketed must have.
In this case, the technical references are the Harmonised European Standards. In their absence, IEC publications and, next in order, National Standards.
- Legislative Decree No. 626 of 25 November 1996, implementing EEC Directive 93/68 concerning CE marking for the Low Voltage Directive, amended with Legislative Decree No. 227 of 31 July 1997.
- Law 46/90 and implementing order for Presidential Decree No. 447 of 6 December 1991; these introduce the obligation for the fitter to issue the client with a declaration of conformity with the Law concerning the plant and to which a report stating the type of components used must be attached.
- Directive 1999/92/EC and Directive 94/9/EC
Minimum requirements for improving health and safety protection of workers operating in potentially explosive atmospheres

In-depth technical information

SRX enclosures - AMX enclosures - ISX cabinets

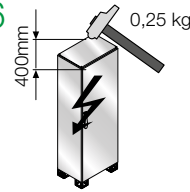
Degree of protection against external mechanical impact - IK rating

IK 0



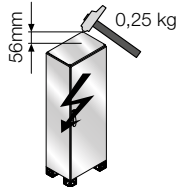
No protection

IK 06



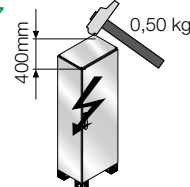
Impact energy
1,00 J

IK 01



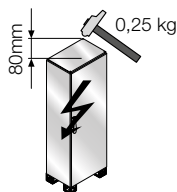
Impact energy
0,150 J

IK 07



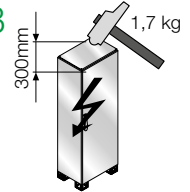
Impact energy
2,00 J

IK 02



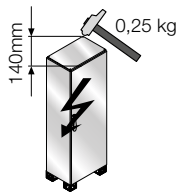
Impact energy
0,200 J

IK 08



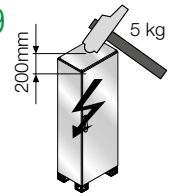
Impact energy
5,00 J

IK 03



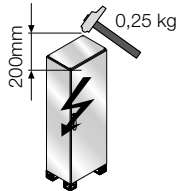
Impact energy
0,350 J

IK 09



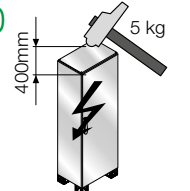
Impact energy
10,00 J

IK 04



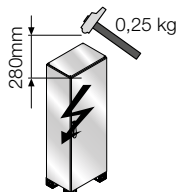
Impact energy
0,500 J

IK 10



Impact energy
20,00 J

IK 05



Impact energy
0,700 J

6

Tests carried out in accordance with IEC EN 62262.

Degrees of protection of enclosures for electrical apparatus against external mechanical impact (IK Code).

	With opaque door	With glass door
SRX enclosures	IK10	IK09
AMX enclosures	IK10	IK09
ISX cabinets with opaque/glass door	IK10	IK09

In-depth technical information

SRX enclosures - AMX enclosures - ISX cabinets

Degree of protection IP

1st NUMBER: protection against solid foreign bodies

0	No protection
1	Protected against solid bodies larger than 50 mm
2	Protected against solid bodies with diameter greater than 12 mm or length greater than 80 mm
3	Protected against solid bodies with diameter or thickness greater than 2.5 mm
4	Protected against solid bodies with diameter or thickness greater than 1.0 mm
5	Protected against dust
6	Totally protected against dust

2nd NUMBER: Protection against liquids

0	No protection
1	Protection against vertically falling water droplets
2	Protection against water droplets with enclosure at up to 15° from vertical
3	Protection against water droplets with enclosure at up to 60° from vertical
4	Protection against water sprayed from all directions
5	Protection against jets of water from all directions deployed through a nozzle
6	Protection against jets of water similar to sea waves
7	Protection against the effects of temporary immersion
8	Protection against the effects of continual immersion

Tests carried out in accordance with IEC EN 60529. Degree of protection of the enclosures (IP Code).

	With door
SRX enclosures blind/glazed door	IP66
AMX enclosures blind/glazed single door	IP66
AMX enclosures blind/glazed door, double door	IP66
ISX cabinets with opaque/glass door	IP66

Degree of protection IP

Protection against solid bodies

1 st number feature	Brief description	Full description
0	No protection	There is no special protection
1	Protected against solid bodies larger than 50mm	Must prevent entry of a large surface of the human body, e.g.: a hand (but no protection against deliberate access) or solid bodies with diameter larger than 50mm
2	Protected against solid bodies of size	Must prevent entry of fingers or similar objects 80mm or or solid bodies with diameter greater than 12 mm
3	Protected against solid bodies of size greater than 2.5mm	Must prevent entry of tools, wires, etc., with diameter or thickness greater than 2.5mm or solid bodies with diameter greater than 2.5mm
4	Protected against solid bodies of size greater than 1.0mm	Must prevent entry of wires or plates with thickness greater than 1.0mm or solid bodies with diameter greater than 1.0mm
5	Protected against dust	Entry of dust is not completely excluded, but any quantity that enters is not harmful to the good operation of the material
6	Totally protected against dust	No dust is allowed to enter

Protection against water

2 nd number feature	Brief description	Full description
0	No protection	There is no special protection
1	Protected against falling water droplets	Drops of water falling vertically must not cause damage
2	Protected against falling water droplets at maximum angle of 15°	Drops of water falling vertically must not cause damage when the enclosure is at any angle up to 15° relative to its usual position
3	Protected against rain	Water falling as rain from a direction which relative to the vertical is at an angle of up to 60° must not cause damage
4	Protected against water sprays	Water sprayed on the enclosure from all directions must not cause damage
5	Protected against water jets	Water projected using a nozzle onto the enclosure from all directions must not cause damage
6	Protected against waves	Waves or powerful jets of water must not penetrate the enclosure in damaging amounts
7	Protected against the effects of temporary immersion	There must be no possibility of penetration by water in damaging amounts inside the enclosure immersed in certain pressure and duration conditions
8	Protected against the effects of continual immersion	The material is suitable for remaining continually immersed in water under the conditions specified by the manufacturer

In-depth technical information

SRX enclosures - AMX enclosures - ISX cabinets

NEMA “National Electrical Manufacturers Association” Classification

Type	Description	Products classified
1	Enclosures constructed for indoor use to provide a degree of protection to personnel against incidental contact with the enclosed equipment and to provide a degree of protection against falling dirt.	Enclosures ISX - Enclosures AMX single door - Enclosures AMX double door - SRX enclosures
2	Enclosures constructed for indoor use to provide a degree of protection to personnel against incidental contact with the enclosed equipment, to provide a degree of protection against falling dirt, and to provide a degree of protection against dripping and light splashing of non-corrosive liquids.	
3	Enclosures constructed for either indoor or outdoor use to provide a degree of protection to personnel against incidental contact with the enclosed equipment; to provide a degree of protection against falling dirt, rain, sleet, snow, and windblown dust; and that will be undamaged by the external formation of ice on the enclosure.	
3R	Enclosures constructed for either indoor or outdoor use to provide a degree of protection to personnel against incidental contact with the enclosed equipment; to provide a degree of protection against falling dirt, rain, sleet, and snow; and that will be undamaged by the external formation of ice on the enclosure.	Enclosures ISX - Enclosures AMX single door - SRX enclosures
3S	Enclosures constructed for either indoor or outdoor use to provide a degree of protection to personnel against incidental contact with the enclosed equipment; to provide a degree of protection against falling dirt, rain, sleet, snow, and windblown dust; and in which the external mechanism(s) remain operable when ice laden.	
4	Enclosures constructed for either indoor or outdoor use to provide a degree of protection to personnel against incidental contact with the enclosed equipment; to provide a degree of protection against falling dirt, rain, sleet, snow, windblown dust, splashing water, and hose-directed water; and that will be undamaged by the external formation of ice on the enclosure.	Enclosures AMX single door - SRX enclosures
4x	Enclosures constructed for either indoor or outdoor use to provide a degree of protection to personnel against incidental contact with the enclosed equipment; to provide a degree of protection against falling dirt, rain, sleet, snow, windblown dust, splashing water, hose-directed water, and corrosion; and that will be undamaged by the external formation of ice on the enclosure.	SRX enclosures - AMX enclosures single door
5	Enclosures constructed for indoor use to provide a degree of protection to personnel against incidental contact with the enclosed equipment; to provide a degree of protection against falling dirt; against settling airborne dust, lint, fibers, and flyings; and to provide a degree of protection against dripping and light splashing of non-corrosive liquids.	
6	Enclosures constructed for either indoor or outdoor use to provide a degree of protection to personnel against incidental contact with the enclosed equipment; to provide a degree of protection against falling dirt, rain, sleet, snow, hose-directed water, and the entry of water during occasional temporary submersion at a limited depth, and that will be undamaged by the external formation of ice on the enclosure.	
6P	Enclosures constructed for either indoor or outdoor use to provide a degree of protection to personnel against incidental contact with the enclosed equipment; to provide a degree of protection against falling dirt, rain, sleet, snow, hose-directed water, corrosion and the entry of water during prolonged submersion at a limited depth; and that will be undamaged by the external formation of ice on the enclosure.	
12	Enclosures constructed (without knockouts) for indoor use to provide a degree of protection to personnel against incidental contact with the enclosed equipment; to provide a degree of protection against falling dirt, against circulating dust, lint, fibers, and flyings; against dripping and light splashing of non-corrosive liquids; and against light splashing and consequent seepage of oil and non-corrosive coolants.	Enclosures ISX - Enclosures AMX single door - SRX enclosures
12K	Enclosures constructed (with knockouts) for indoor use to provide a degree of protection to personnel against incidental contact with the enclosed equipment; to provide a degree of protection against falling dirt, against circulating dust, lint, fibers, and flyings; against dripping and light splashing of non-corrosive liquids; and against light splashing and consequent seepage of oil and non-corrosive coolants.	
13	Enclosures constructed for indoor use to provide a degree of protection to personnel against incidental contact with the enclosed equipment; to provide a degree of protection against falling dirt, against circulating dust, lint, fibers, and flyings; and against the spraying, splashing, and seepage of water, oil, and non-corrosive coolants.	

ATEX certification

TABLE 1 - GROUPS, CATEGORIES AND LEVELS OF PROTECTION

(source: Atex Guide - first edition - European Commission DG Enterprises, May 2000)

Level of protection	Group I	Group II	Performance of protection	Conditions of operation*
Very high	M1		Two independent means of protection or safety guaranteed even when two faults occur independently of each other	Equipment remains energised and functioning when explosive atmosphere present
Very high		1	Two independent means of protection or safety guaranteed even when two faults occur independently of each other	Equipment remains energised and functioning in Zones 0, 1, 2 (G) and/or 20, 21, 22 (D)
High	M2		Protection suitable for normal operation and severe operating conditions (37)	Equipment de-energised when explosive atmosphere is recognised
High		2	Protection suitable for normal operation and frequently occurring disturbances or equipment where faults are normally taken into account	Equipment remains energised and functioning in Zones 1, 2 (G) and/or 21, 22 (D)
SRX enclosures - AMX enclosures - ISX cabinets				
Normal		3	Protection suitable for normal operation	Equipment remains energised and functioning in Zones 2 (G) and/or 22 (D)

* Note: see also Directive 1999/92/EC on minimum requirements for improving health and safety protection of workers operating in potentially explosive atmospheres⁽⁶⁸⁾.

⁽⁶⁷⁾ Although the wording of the requirements of apparatuses belonging to categories M2 and 2 is different in the relative annexes to Directive 94/9/EC, both categories are treated in parallel by EN 50014 and specific standards. The concepts of technical protection relative to electrical apparatuses belonging to categories M2 and 2G (gas) in conformity with EN 50014 are identical. The requirements relative to category 2D (dusts) may, on the other hand, need to be considered separately.

⁽⁶⁸⁾ Official Journal L23, dated 28.1.2000.

TABLE 2 - Characteristics and zones corresponding to equipment in group II

(source: "Guide to certification - Directive 94/9/EC - Atex - concerning products intended to be used in potentially explosive atmospheres" - Ipses)

MANUFACTURER				USER			
DPR 126/98 - Directive 94/9/EC Additional requirements for equipment (including the devices and components connected with it)				D.Lgs. 233/03 (Directive 1999/92/EC)			
Group	Category	Means of protection					
		Level	Protection characteristics (Annex I)	Construction characteristics (Annex II)	Safety req. applicable	Presence of explosive atmosphere	Zone of use
I	1	Very high	If a protective device develops a fault, the level of safety is guaranteed by at least a second, independent protective device. Moreover, the level of safety is also guaranteed if two faults occur independently of each other.	Must be designed and made so that the ignition sources are not activated, even in the event of equipment exceptional faults	1.0	Continuous or for long periods	0
					1.1		1
					1.2		2
					1.3		
					1.4		20
					1.5		21
					1.6		22
					2.1		
II	2	High	The level of safety is guaranteed even in the presence of recurring faults or equipment operating defects which must usually be taken into account	Must be designed and made to avoid ignition sources, even in the presence of recurring faults or equipment operating defects which must usually be taken into account	1.0	Intermediate situation between the previous and the next	1
					1.1		2
					1.2		
					1.3		
					1.4		21
					1.5		22
					1.6		
					2.2		
SRX enclosures - AMX enclosures - ISX cabinets					1.0	Unlikely and if it occurs it is of short duration	2
3	Normal	The level of safety is guaranteed during normal operation	Must be designed and made to avoid foreseeable sources of ignition during normal operation	1.1			
				1.2	22		
					1.3		
					1.4		
					1.5		
					1.6		
					2.3		

In-depth technical information

ISX cabinets

Mechanical characteristics

Material

	Structure	Kit panels	Structure panels	Doors		Plates
	Stainless steel sheet AISI 304 [mm]	Stainless steel sheet AISI 304 [mm]	Stainless steel sheet AISI 304 [mm]	Stainless steel sheet AISI 304 [mm]	Safety glass external thickness [mm]	Galvanized Steel sheet [mm]
SRX Enclosures	12/10	12/10	-	12/10	4	20/10
AMX cabinets	15/10	12/10	-	15/10	4	25/10
ISX Enclosures	15/10	12/10	15/10	15/10	4	25/10

6

ISX cabinet vibration tests

The results of the vibration tests which our standard ISX automation enclosures have undergone are significant, above all when the enclosures are installed on ships, in seismic areas and in military areas. The vibration tests on the standard ISX enclosures have produced the following positive result: with respect to a stress 0.1 g in a range of frequencies between 10 and 500Hz, the maximum acceleration found inside the panel board is less than 0.5 g.

Range of frequency	10-500Hz
Stress	0,1 g
Maximum acceleration reached (inside the enclosure)	<0,5 g

We have also verified that the IS2 standard enclosure has linear behaviour even when the level of acceleration is increased up to 1 g in the same range of frequencies.

Antiseismic tests enclosures ISX

Enclosure ISX dimensions 2000x800x800mm (HXDXW) with 435 kh of load. Enclosures have been tested according with the Standard IEC 60068-2-57 "Environmental testing Part. 2: Tests method. Vibration - Time history method" and with the Standard IEEE Std 693 "Recommended Practice for Seismic Design of Substation".

Similar application fields*

Enclosure without specific accessories		
According to the Standard IEC 60068-2-57 - IEEE Std 693	Seismic Zone IEC 68-3-3	Magnitudo Richter scale
Shock Level test up to 0.5 g	Zona 4	7

Enclosure with specific accessories AS0001+crosspieces+reinforced plinth		
According to the Standard IEC 60068-2-57 - IEEE Std 693	Seismic Zone IEC 68-3-3	Magnitudo Richter scale
Shock Level test up to 0.75 g	Zona 4	7,5

* Values of different scales are indicative.

ABB SACE declaration of conformity

Conformity with the EN 62208, EN 61439-1 and 2 standards

The enclosures have undergone the type tests foreseen by the EN 62208 and EN 61439-1 and 2 standards at the ABB laboratories. The results of these tests guarantee the performances of the IS2 enclosures and allow the end panel board builder not to carry out any further type tests by respecting the selection criteria and assembly instructions of the various components. These results, given below, can be referred to for making out the declaration of conformity for the electric panel board.

CEI EN 62208 Standard

“Empty enclosures for low voltage switchgear and controlgear assemblies”.

EN 60439-1 and new 61439-1 and 2 standards

“Low voltage protection switchgear and controlgear assemblies”.

ISX Enclosures

Rated characteristics:

Rated service voltage Un	fino a 1000V AC - 1500V DC
Rated insulation voltage Ui	fino a 1000V AC - 1500V DC
Rated impulse withstand voltage Uimp	8 kV
Rated frequency fn	50-60Hz
Degree of protection	IP66
Mechanical impact strength IK	10 with blind door 09 with glazed door - 08 EMC version glazed door
Rated short-time current Icw	65 kA
Rated max.peak current Ipk	143 kA
Installation condition	Indoor/Outdoor

6

Efficiency of the protection circuit (Ref. par. 8.2.4. of the Standard)

By respecting the assembly indications for the metal components, the effective electrical continuity between the conductive electrical parts has been verified, with negligible resistance values.

Insulation distances (Ref. par. 8.2.5. of the Standard)

The insulation distances are guaranteed by following the ABB SACE metalwork structure and circuit-breaker assembly and mounting instruction.

Mechanical operation (Ref. par. 8.2.6. of the Standard)

Operazioni meccaniche (Rif. par. 8.2.6. della Norma)

By respecting the assembly instructions for the structures and ABB SACE circuit-breakers, mechanical operation is verified.

		Casse SRX	Armadi AMX
Rated service voltage Un		up to 1000V AC - 1500V DC	up to 1000V AC - 1500V DC
Rated insulation voltage Ui		up to 1000V AC - 1500V DC	up to 1000V AC - 1500V DC
Rated frequency fn		50-60Hz	50-60Hz
IP Degree of protection	with door	IP66	IP66
Mechanical impact strength IK	with blind door	10	10
	with glazed door	09	09

When correctly selected and assembled, as per the indications given in the catalogue and in the instruction manual, they allow of electrical panel boards complying with the EN 61439-1 and 2 Standard “Low voltage controlgear and switchgear for assemblies” and the CEI EN 60204-1 “Standard “Safety of machinery – Electrical equipment of machines”, to be built, based on what is foreseen under the Low Voltage Directive of the European Community 2006/95/CE (which takes place of 73/23/CEE directive).

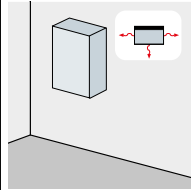
The above is valid if the electrical panel board is designed and constructed:

- selecting the materials based on the performances indicated in the ABB catalogues;
- sizing the conductors according to the prescriptions of the EN 61439-1 and 2 Standard, and Standard and CEI 64-8;
- carrying out the individual tests foreseen under the Standard EN 61439-1 and 2 Standard with a positive outcome.

SRX enclosures

Maximum dissipation power (W)

Dissipating power inside the SRX enclosures according to the permissible overtemperature (external temperature plus overtemperature = 60 °C max).

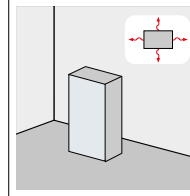


Wall-mounted single enclosure

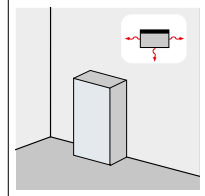
Code	Dimensions			Overtemperature values ΔT			
	H (mm)	W (mm)	P (mm)	25 °C	30 °C	35 °C	40 °C
SRN3215X	300	200	150	29	35	42	50
SRN3415X	300	400	150	55	68	82	97
SRN4315X	400	300	150	48	60	72	85
SRN4320X	400	300	200	53	68	82	97
SRN4420X	400	400	200	68	84	101	119
SRN4620X	400	600	200	95	119	143	169
SRN5420X	500	400	200	76	95	116	137
SRN5420VX	500	400	200	76	95	116	137
SRN5520X	500	500	200				
SRN6420X	600	400	200	87	108	132	154
SRN6420VX	600	400	200	87	108	132	154
SRN6620X	600	600	200				
SRN6630X	600	600	300				
SRN7525X	700	500	250	119	150	182	214
SRN7525VX	700	500	250	119	150	182	214
SRN8620X	800	600	200				
SRN8625VX	800	600	250	151	190	230	272
SRN8630X	800	600	300	172	216	261	307
SRN8830X	800	800	300	183	228	278	328
SRN10830X	1000	800	300	228	286	346	409
SRN10830VX	1000	800	300	228	286	346	409
SRN12630X	1200	600	300	198	249	301	354
SRN12830X	1200	800	300	270	338	410	483

AMX cabinets

Maximum dissipation power (W)



Single enclosure exposed on all sides



Wall-mounted single enclosure

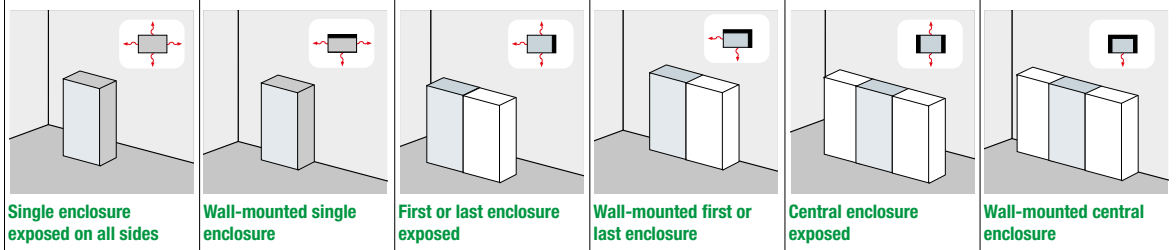
Code	Dimensions			Overtemperature values ΔT							
	H (mm)	W (mm)	P (mm)	25 °C	30 °C	35 °C	40 °C	25 °C	30 °C	35 °C	40 °C
TM2664X	1600	600	400	417	523	634	748	376	471	571	676
TM2684X	1600	800	400	457	574	695	820	407	510	618	729
TM2864X	1800	600	400	373	468	568	669	317	397	483	569
TM2864VX	1800	600	400	373	468	568	669	317	397	483	569
TM2865X	1800	600	500	412	516	626	740	375	471	571	674
TM2865VX	1800	600	500	412	516	626	740	375	471	571	674
TM2884X	1800	800	400	471	592	717	846	402	505	611	722
TM2884VX	1800	800	400	471	592	717	846	402	505	611	722
TM2885X	1800	800	500	520	653	791	933	468	587	713	841
TM2885VX	1800	800	500	520	653	791	933	468	587	713	841
TM2804X	1800	1000	400	557	700	846	999	489	615	745	878
TM2805VX	1800	1000	500	635	798	967	1141	568	713	864	1020
TM2824X	1800	1200	400	648	814	986	1163	582	730	885	1046
TM2825X	1800	1200	500	705	883	1070	1264	668	837	1013	1197
TM2964X	2000	600	400	418	526	637	751	343	430	520	615
TM2965X	2000	600	500	442	557	674	795	404	507	613	724
TM2965VX	2000	600	500	442	557	674	795	404	507	613	724
TM2984X	2000	800	400	491	616	745	880	433	544	658	777
TM2985X	2000	800	500	561	705	854	1009	504	631	764	902
TM2985VX	2000	800	500	561	705	854	1009	504	631	764	902
TM2904X	2000	1000	400	598	751	911	1075	526	660	800	944
TM2905VX	2000	1000	500	650	816	988	1166	608	763	923	1091
TM2924X	2000	1200	400	666	835	1010	1194	623	782	948	1118
TM2925X	2000	1200	500	730	915	1110	1309	687	862	1044	1232

In-depth technical information

Dissipating power

ISX cabinets - H=1800mm

Maximum dissipation power (W)



Code	Dimensions			Overtemperature values ΔT																							
	H (mm)	W (mm)	P (mm)	25 °C				30 °C				35 °C				40 °C											
ES1864X	1800	600	400	352	442	536	632	317	397	483	569	328	412	499	589	293	368	446	526	302	378	458	542	272	341	413	489
ES1864VX	1800	600	400	352	442	536	632	317	397	483	569	328	412	499	589	293	368	446	526	302	378	458	542	272	341	413	489
ES1865X	1800	600	500	412	516	626	740	375	471	571	674	380	476	578	680	344	431	523	616	344	431	523	616	315	396	479	565
ES1865VX	1800	600	500	412	516	626	740	375	471	571	674	380	476	578	680	344	431	523	616	344	431	523	616	315	396	479	565
ES1884X	1800	800	400	455	571	692	817	402	505	611	722	431	541	655	774	380	476	576	680	402	505	611	722	360	452	547	647
ES1884VX	1800	800	400	455	571	692	817	402	505	611	722	431	541	655	774	380	476	576	680	402	505	611	722	360	452	547	647
ES1885X	1800	800	500	520	653	791	933	468	587	713	841	487	613	742	875	436	545	661	780	452	566	687	811	410	515	624	737
ES1885VX	1800	800	500	520	653	791	933	468	587	713	841	487	613	742	875	436	545	661	780	452	566	687	811	410	515	624	737
ES1805X	1800	1000	500	635	798	967	1141	568	713	864	1020	600	753	912	1076	536	671	814	960	568	713	864	1020	513	643	779	920
ES1805VX	1800	1000	500	635	798	967	1141	568	713	864	1020	600	753	912	1076	536	671	814	960	568	713	864	1020	513	643	779	920
ES1806X	1800	1000	600	684	857	1039	1226	645	809	980	1157	663	832	1009	1190	603	756	915	1081	626	785	952	1124	571	717	869	1025
ES1806VX	1800	1000	600	684	857	1039	1226	645	809	980	1157	663	832	1009	1190	603	756	915	1081	626	785	952	1124	571	717	869	1025
ES1827BX	1800	1200	500	705	883	1070	1264	668	837	1013	1197	687	862	1046	1234	635	796	965	1139	680	853	1033	1219	615	772	935	1104
ES1826BX	1800	1200	600	705	883	1070	1264	668	837	1013	1197	687	862	1046	1234	635	796	965	1139	680	853	1033	1219	615	772	935	1104

ISX cabinets - H=2000mm

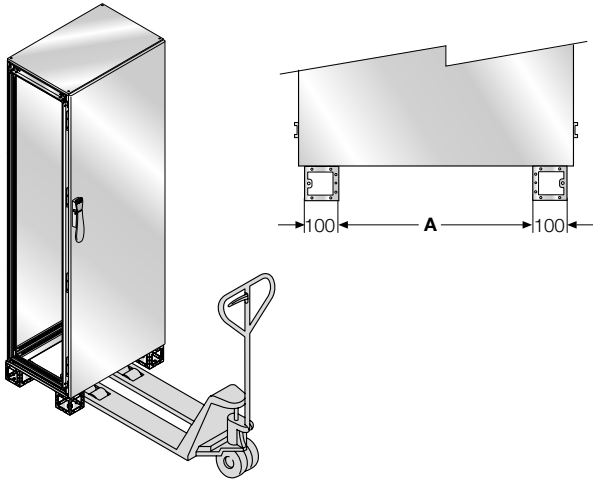
Maximum dissipation power (W)

Code	Dimensions			Overtemperature values ΔT																															
	H (mm)	W (mm)	P (mm)	25 °C				30 °C				35 °C				40 °C				25 °C				30 °C				35 °C				40 °C			
				25 °C	30 °C	35 °C	40 °C	25 °C	30 °C	35 °C	40 °C	25 °C	30 °C	35 °C	40 °C	25 °C	30 °C	35 °C	40 °C	25 °C	30 °C	35 °C	40 °C	25 °C	30 °C	35 °C	40 °C	25 °C	30 °C	35 °C	40 °C				
ES2065K	2000	600	500	442	557	674	795	404	507	613	724	407	512	619	730	368	462	560	661	368	463	560	661	336	423	512	605								
ES2065VX	2000	600	500	442	557	674	795	404	507	613	724	407	512	619	730	368	462	560	661	368	463	560	661	336	423	512	605								
ES2066K	2000	600	600	507	635	771	909	467	586	708	837	462	579	701	828	421	529	642	758	413	518	627	740	381	479	581	685								
ES2066VX	2000	600	600	507	635	771	909	467	586	708	837	462	579	701	828	421	529	642	758	413	518	627	740	381	479	581	685								
ES2085K	2000	800	500	561	705	854	1009	504	631	764	902	526	660	800	944	468	587	711	840	484	608	737	870	439	550	666	787								
ES2085VX	2000	800	500	561	705	854	1009	504	631	764	902	526	660	800	944	468	587	711	840	484	608	737	870	439	550	666	787								
ES2086K	2000	800	600	623	782	946	1116	576	722	875	1033	582	732	886	1046	529	664	804	951	537	676	817	965	494	619	750	885								
ES2086VX	2000	800	600	623	782	946	1116	576	722	875	1033	582	732	886	1046	529	664	804	951	537	676	817	965	494	619	750	885								
ES2007K	2000	1000	500	650	816	988	1166	608	763	923	1091	632	795	962	1136	571	717	869	1025	608	763	923	1091	547	685	830	981								
ES2005VX	2000	1000	500																																
ES2006X	2000	1000	600	705	885	1071	1264	674	846	1025	1210	680	854	1034	1221	645	809	980	1157	664	835	1010	1194	611	766	928	1096								
ES2006VX	2000	1000	600	705	885	1071	1264	674	846	1025	1210	680	854	1034	1221	645	809	980	1157	664	835	1010	1194	611	766	928	1096								
ES2025BX	2000	1200	500	730	915	1110	1309	687	862	1044	1232	709	890	1078	1272	676	848	1028	1213	697	875	1060	1252	658	825	1001	1181								
ES2026BX	2000	1200	600	793	994	1205	1422	743	933	1129	1334	763	957	1158	1367	726	911	1104	1301	743	933	1129	1334	726	911	1104	1303								

In-depth technical information

Handling

Handling by means of transpallets

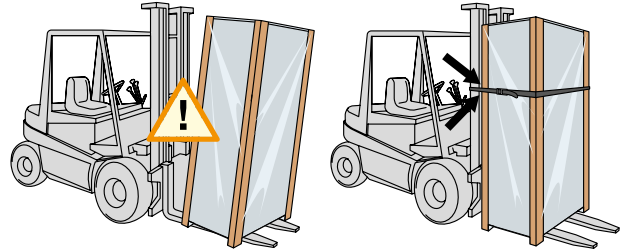


6

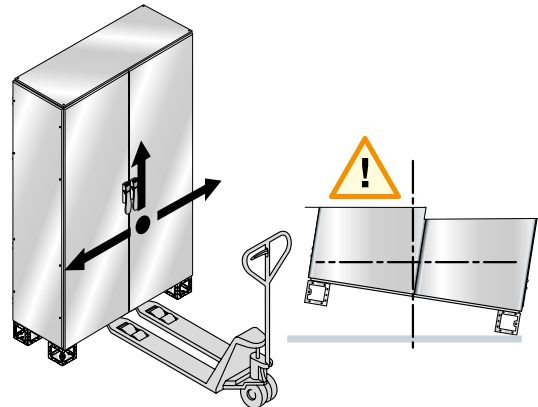
Plinth

	A (mm)
Structure W=600mm	393
Structure W=800mm	593
Structure W=1000mm	793
Structure W=1200mm	394 + 394

For greater safety during transport by means of a fork-lift truck, it is advisable to anchor the panel board to the fork-lift truck:



In the case of W=800mm structures (with internal or external cable container) containing a busbar system, check the centre of gravity before handling.



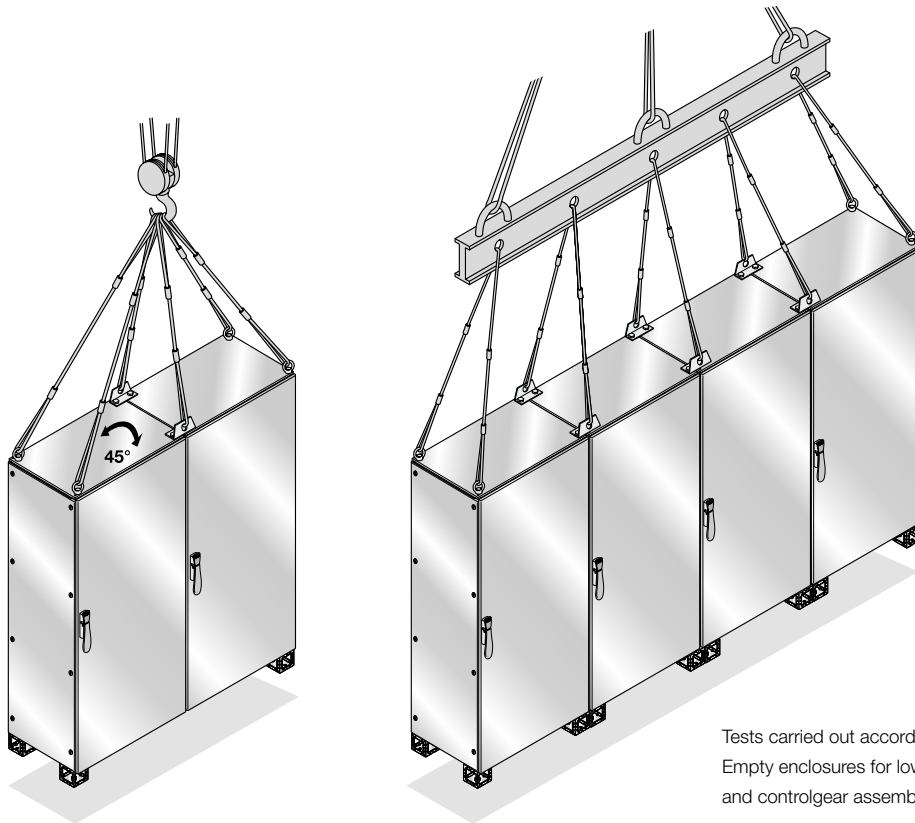
Handling

Handling by means of bridge crane

For handling by means of crane or bridge crane, check the following conditions before lifting the panel board:

- excellent state of the ropes or chains;
- the angle between the lifting ropes and the roof of the switchboard must be $\geq 45^\circ$;
- maximum number of columns which can be transported see pages 6/10-11;
- maximum weight which can be lifted see pages 6/10-11.

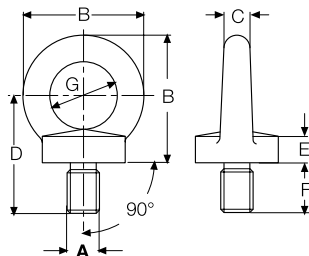
When there are several columns placed side by side, to respect the above-mentioned conditions, a lifting beam with appropriate characteristics can be used.



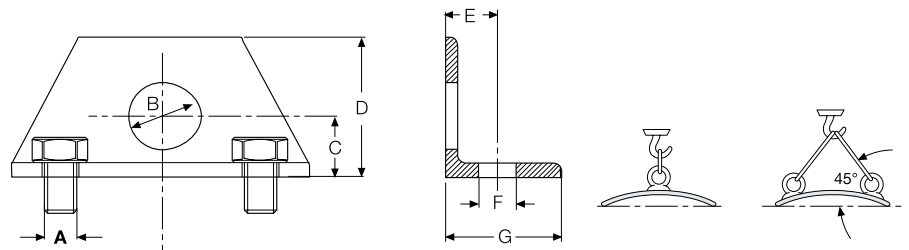
Tests carried out according to EN 62208 (par. 8.4)
Empty enclosures for low voltage protection switchgear
and controlgear assemblies. General prescriptions.

DIN 580 Standard regarding mechanical connection elements (only for lifting eyebolts)

Lifting eyebolts



Lifting reinforcements



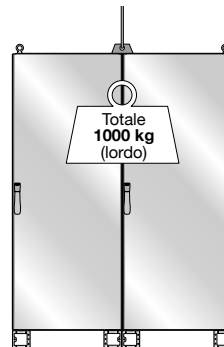
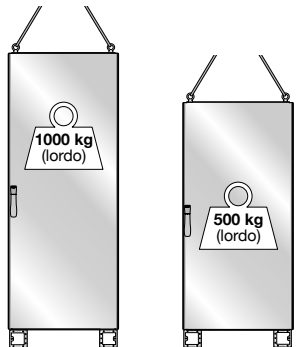
	A	B (mm)	C (mm)	D (mm)	E (mm)	F (mm)	G (mm)	Load 1 (kg)	Load 2 (kg)	Tightening (Nm)
Lifting eyebolts	M12	54	12	28	10	22	30	340	240	8*
Lifting reinforcements	M12	Ø20	30	60	28	Ø10	40	510	350	40

* Tighten manually without mechanical aids because the latter may cause over-tension in the stem, reducing the eyebolt capacity.

In-depth technical information

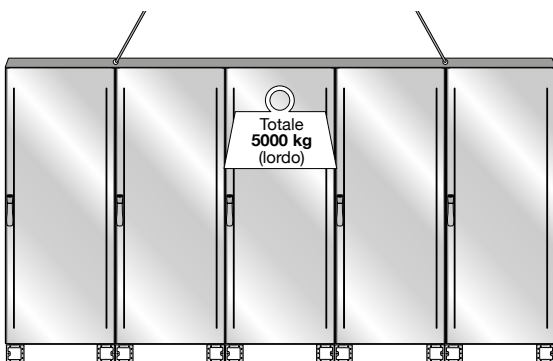
Maximum capacities

(in accordance with the CEI EN 62208 Standard)

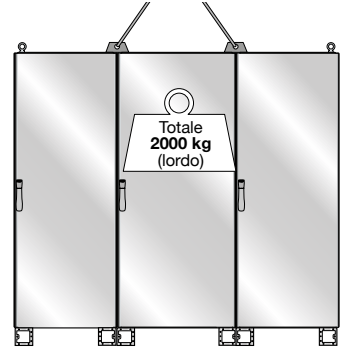
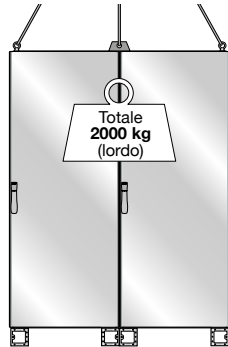


	ISX	AMX
Number of columns	1	1
Weight of single column Kg	1000	500
Total weight of columns Kg	1000	500
Joining Kit		
Lifting Kit	AA9610	TA9601
Number of braces used	4	4

	ISX
Number of columns	2
Weight of single column Kg	500
Total weight of columns Kg	1000
Joining Kit	EV0002X EV0003X
Lifting Kit	EV1007
Number of braces used	2



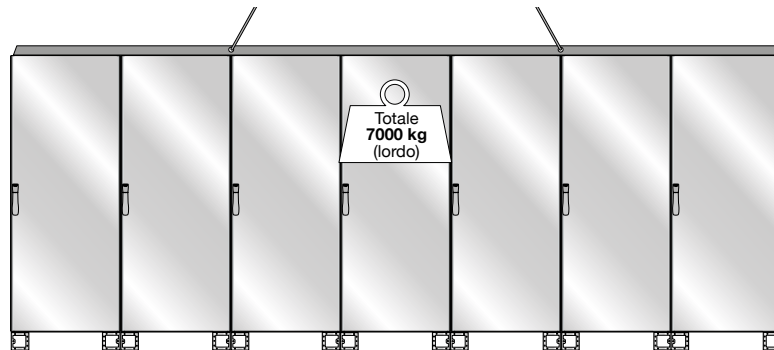
	ISX
Number of columns	5
Weight of single column Kg	1000
Total weight of columns Kg	5000
Joining Kit	EV0003X TU1000
Lifting Kit	4
Number of braces used	4



	ISX
Number of columns	2
Weight of single column Kg	1000
Total weight of columns Kg	2000
Joining Kit	EV0002X EV0003X
Lifting Kit	AA9610 EV1007
Number of braces used	6

	ISX
Number of columns	3
Weight of single column Kg	500
Total weight of columns Kg	1500
Joining Kit	EV0002X EV0003X
Lifting Kit	EV1007
Number of braces used	4

6



	ISX
Number of columns	7
Weight of single column Kg	1000
Total weight of columns Kg	7000
Joining Kit	EV0003X TU1000
Lifting Kit	4
Number of braces used	4

In-depth technical information

Maximum capacities

(in accordance with the CEI EN 62208 Standard)

	Door	Side panels	Rear panels	Roof	Standard back plates
	Kg	A (mm) Kg	A (mm) Kg	Kg	Kg
SRX	20		> 800 90 ≤ 800 110		50
AMX	50		> 800 90 ≤ 800 110		180
ISX	50	> 800 90 ≤ 800 110	> 800 90 ≤ 800 110	40	500

6

	Kit for moving back plates back	Piastra di fondo maggiorata	Swing rack frame	Fixed rack frame	Partition panel	Bottom	Brackets for wall fixing
	Code Kg	Kg	Kg	Kg	Kg	Kg	Code Kg
SRX						100	AA1206X 200
AMX	EA5100 200			90	120		
ISX	EA2100 600	500	90	90	120		

Crosspieces H = 48mm			Crosspieces for fixing heavy accessories			Crosspieces H = 100mm			Transformer holder crosspieces		
Code	A/B (mm)	Kg	Code	B (mm)	Kg	Code	A/B (mm)	Kg	Code	A/B (mm)	Kg
EB0400	400	110	EB4100	400	210	EB0440	400	220			
EB0500	500	110	EB5100	500	190	EB0550	500	210			
EB0600	600	100	EB6100	600	175	EB0660	600	210	EB6102	600	320
EB0800	800	90	EB8100	800	150	EB0880	800	185	EB8102	800	250
EB1000	1000	70				EB1010	1000	160	EB1102	1000	200
EB1200	1200	50	EB1100	1200	130	EB1020	1200	140			

In-depth technical information

Busbars with shaped section and flat busbars

Mechanical and electrical characteristics

Conformity with EN 61439-1-2 Standard

The ISX cabinets have undergone the type tests foreseen by the EN 61439-1-2 Standard in ABB laboratories.

The results of these tests guarantee the performances of the IS2 cabinets and, by using ABB SACE metalwork structures and accessories, such as moulded-case and modular circuit-breakers, allow the end panel board builder not to carry out further type tests, as long as the selection criteria and assembly instructions of the various components are respected, just carrying out the individual tests foreseen by the EN 61439-1-2 Standard. It is possible to make reference to these results, given below, to draw up the declaration of conformity of the electrical panel board.




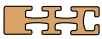
Characteristics of the materials

Components	Material
Busbars	electrolytic copper 99.9% CU-ETP
Busbar holder	self-extinguishing thermoplastic VO
Tightening screws	Material class 8.8
Tightening torque	M6 screws - 10N.m
	M8 screws - 20N.m
	M10 screws - 30N.m









In-depth technical information

Busbars with shaped section and flat busbars


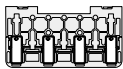
Technical characteristics of busbars with shaped section up to 1600A

Cross-section	In (A)	Code	No. busbars/ phase	Capacity (A) IP66	I _{cw} max (kA)	I _{pK} (kA)	Dimensions			Weight (kg)
							WxW (mm)	Cross-section (mm ²)	Lenght (mm)	
	400	BA0400	1	400	35	74	20x20	200	1730	4
	800	BA0800	1	800	35	74	20x20	283	1730	4.4
	1250	BA1250	1	1250	65	143	20x60	603	1730	9.3
	1600	BA1600	1	1600	65	143	20x60	703	1730	10

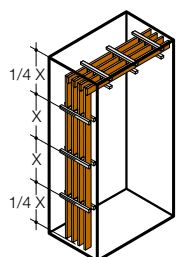
Technical characteristics of flat busbars up to 1600A

Cross-section	In (A)	Code	No. busbars/ phase	Capacity (A) IP66	I _{cw} max (kA)	I _{pK} (kA)	Dimensioni		Weight (kg)
							WxW (mm)	Cross-section (mm)	
	250	BR0250	1	250	32	48	15X5	1750	1.35
	400	BR0400	1	400	32	48	25X5	1750	3.4
	630	BR0630	1	630	32	68	30X10	1750	4.4
	400	BR4005	1	400	35	74	32X5	1750	2.1
	630	BR6305	1	630	50	105	50X5	1750	3.4
	800	BR8005	1	800	50	105	63X5	1750	4.4
	1250	BR1250	1	1250	50	105	100X5	1750	7.25
	1600	BR1600	1	1600	100	220	100X10	1750	14.5

Busbar holders for busbars with shaped section

Tipo	I _{cc} (kA)	In (A)	Busbars with shaped section					
			400A	800A	1250A	1600A		
	Linear	35	PB0803	L1-L2-L3	3xBA0400	3xBA0800	-	-
				N 100%	1xBA0400	1xBA0800	-	-
				N ridotto		1xBA0400	-	-
	Linear	65	PB1603 ⁽¹⁾	L1-L2-L3	-	-	3xBA1250	3xBA1600
				N 100%	-	-	1xBA1250	1xBA1600
				N ridotto	-	-	-	1xBA1250

Busbar	Capacity (A)	Busbar holder	No. and distance of the busbar holder according to the max I _{cc}							
			25 kA		35 kA		50 kA		65 kA	
			X max (mm)	X max (mm)	X max (mm)	X max (mm)	X max (mm)	X max (mm)		
BA0400	400	PB0803	4	550	5	425	-	-	-	-
		PB1603 ⁽¹⁾	4	550	4	550	-	-	-	-
BA0800	800	PB0803	4	550	5	425	-	-	-	-
		PB1603 ⁽¹⁾	4	550	4	550	-	-	-	-
BA1250	1250	PB1603	4	550	4	550	6	350	9	225
BA1600	1600	PB1603	4	550	4	550	6	350	9	225




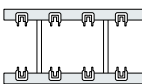
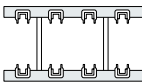
The distance between the first busbar holder and the end of the busbar must not exceed 1/4 of X.

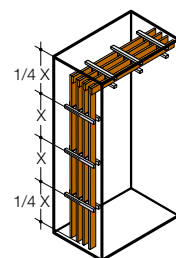
X max = maximum distance not to be exceeded between two consecutive busbar holders.

⁽¹⁾ It is possible to mount the 400/800A busbars with the special adapter AD1066.

6

Busbar holder for flat busbars

Tipo	I _{cc} (kA)	In (A)	Flat busbars							
			250A	400A	630A	800A	1250A	1600A		
	Linear	32	BP0630	L1-L2-L3	3xBR0250	3xBR0400	3xBR0630	-	-	-
				N 100%	1xBR0250	1xBR0400	1xBR0630	-	-	-
	Linear	50	BP1250	L1-L2-L3	-	3xBR4005	3xBR6305	3xBR8005	3xBR1250	-
				N 100%	-	1xBR4005	1xBR6305	1xBR8005	1xBR1250	-
	Linear	75	BP1600	L1-L2-L3	-	-	-	-	-	3xBR1600
				N 100%	-	-	-	-	-	1xBR1600



The distance between the first busbar holder and the end of the busbar must not exceed 1/4 of X.

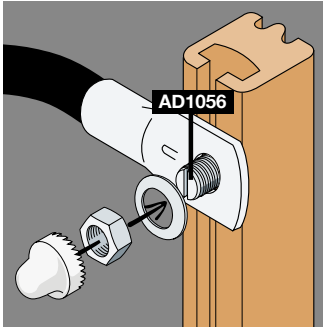
Busbar	Capacity (A)	Busbar holder	No. and distance of the busbar holder according to the max I _{cc}							
			16 kA		20 kA		23 kA		32 kA	
			X max (mm)	X max (mm)	X max (mm)	X max (mm)	X max (mm)	X max (mm)		
BR0250	250	BP0630	4	500	6	350	10	200	-	-
BR0400	400		4	500	6	350	10	200	-	-
BR0630	630		-	-	4	600	4	600	9	210
Busbar	Capacity (A)	Busbar holder	25 kA	X max (mm)	35 kA	X max (mm)	50 kA	X max (mm)	65 kA	X max (mm)
BR4005	400	BP1250	7	300	9	225	-	-	-	-
BR6305	630		6	375	7	275	9	225	-	-
BR8005	800		5	425	7	300	9	225	-	-
BR1250	1250		4	500	6	375	8	250	-	-
BR1250	1600	BP1600	3	1000	3	1000	4	600	6	375

X max = maximum distance not to be exceeded between two consecutive busbar holders.

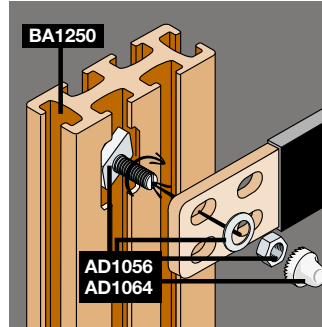
In-depth technical information

Busbars with shaped section and flat busbars

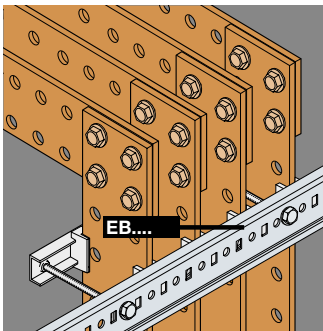
Components



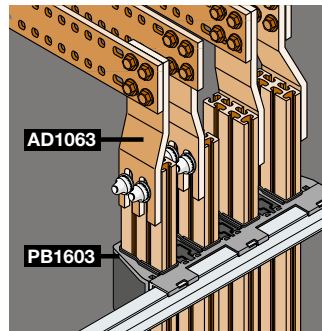
Direct branch by means of cable terminal for cross-section of cable up to 50mm².



M8 self-locking hammer screw for fixing between conductors in any position along the busbar, guarantees a large contact surface.



The 25mm drilling pitch allows branches between flat busbars at any point.



Branch between 1600A flat busbars and 1250/1600A busbars with shaped section.

Modular dividers

		Single-pole						Three-poles	
									
Code		AD1076	AD1080 ⁽¹⁾	AD1007	D1081 ⁽²⁾	AD1030	AD1031	AD1075	AD1006
In	IEC (A)	125	125	160	160	250	400	125	160
	UL (A)	115	115	175	160	230	310	115	175
lcw	(kA)	4.4	4.2	11	1.1	21	21	4.4	11
Version	pole	1	1	1	1	1	1	3	3
Installation power supply Ø cable (mm ²)	DIN35/plate	DIN35/plate	DIN35/plate	DIN35/plate	DIN35/plate	DIN35/plate	DIN35/plate	DIN35/plate	DIN35/plate
	min.	10	6	16	10	35	95	10	16
	max	35	35	70	70	120	185	35	70
No. outgoing feeder Ø cable (mm ²)	1,5÷10					4	4		
	2,5÷16	10	6	10	6	5	5	6	6
	2,5÷25					2	2		
Dimensions HxWxD	(mm)	71x45x42,5	74x27x47	71x45x42,5	92x35x49	95.5x45x49	95.5x45x49	71.5x80x42,5	71.5x80x42,5
No. DIN modules		2,5	1,5	2,5	2	3	3	4,5	4,5
Rated service voltage Ue	(V)	1000 Vac	1000 Vac	1000 Vac	1000 Vac	1000 Vac	1000 Vac	1000 Vac	1000 Vac
		1500 Vdc	1500 Vdc	1500 Vdc	1500 Vdc	1500 Vdc	1500 Vdc	1500 Vdc	1500 Vdc
Degree of protection	IP	20	20	20	20	20	20	20	20
Mark									

		Four-pole					
							
Code		AD1004	AD1028	AD1029	AD1027	AD1034	AD1053
In	(A)	125	125	125	160	250	250
lcw	(kA)	10	4.2	4.2	6,2	15	15
Ipk	(kA)	24	25	25	20	30	30
Version	poles	4,2	4	4	4	4	4
Installation		DIN35/plate	DIN35/plate	DIN35/plate	DIN35/plate	plate	plate
Power supply Ø cable	(mm ²) min.	6	6	6	10		
	max	35	25 with cable lugs	25 with cable lugs	50		
No. outgoing feeder Ø cable	(mm ²)	With cable lugs	Rigid cable	Rigid cable	Rigid cable		
		5L, 4Nx1,5-6mm ²	7x1,5-10mm ²	9x1,5-10mm ²	8x2,25-25mm ²		
		2L, 6Nx4-10mm ²	2x6-25mm ²	2x1,5-16mm ²	1x10-50mm ²		
		1L, 1Nx6-25mm ²		2x6-25mm ²	3x16-35mm ²		
		Without cable lugs	With cable lugs	With cable lugs	With cable lugs		
		5L, 4Nx1,5-6mm ²	7x1,5-10mm ²	2x1,5-6mm ²	8x2,5-16mm ²		
		2L, 6Nx4-10mm ²	2x6-16mm ²	9x1,5-10mm ²	3x6-25mm ²		
		1L, 1Nx6-35mm ²		2x6-16mm ²	1x10-35mm ²		
			Without cable lugs	Without cable lugs	Without cable lugs		
			7x2,5-16mm ²	11x2,5-16mm ²	8x6-16mm ²		
		2x6-35mm ²	2x6-35mm ²	3x6-25mm ²			
				1x10-35mm ²			
dimensions HxWxD	(mm)	74,5x98x45	93x89x48	96x126x48	90x160,5x50	150x600x70	150x800x70
No. DIN modules		5,5	5	7	9	24	36
Rated service voltage Ue	(V)	1000 AC	440	440	440	500	500
		1500 DC					
Degree of protection	IP	20	20	20	20		

⁽¹⁾ possibility of putting in parallel with AD1083 connections.

⁽²⁾ possibility of putting in parallel with comb type connections (not supplied).

In-depth technical information

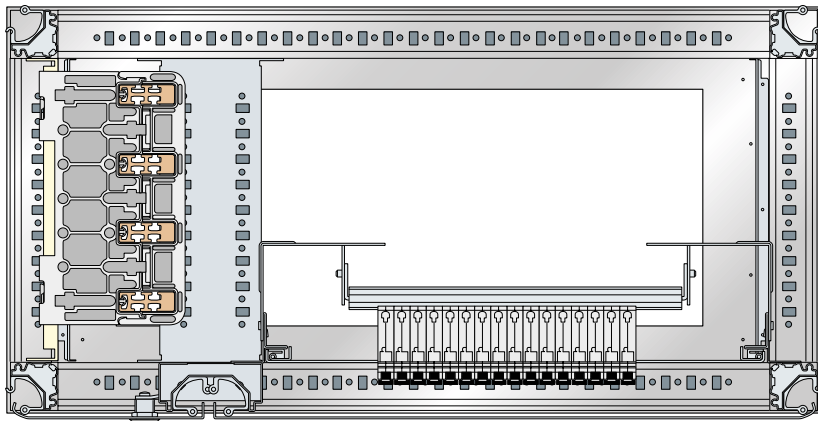
Busbars with shaped section

Examples of use - currents up to 1600A

Linear busbar holder PB1603

ISX

Busbars in the internal cable container and DIN rail apparatus holder fixed on the front.

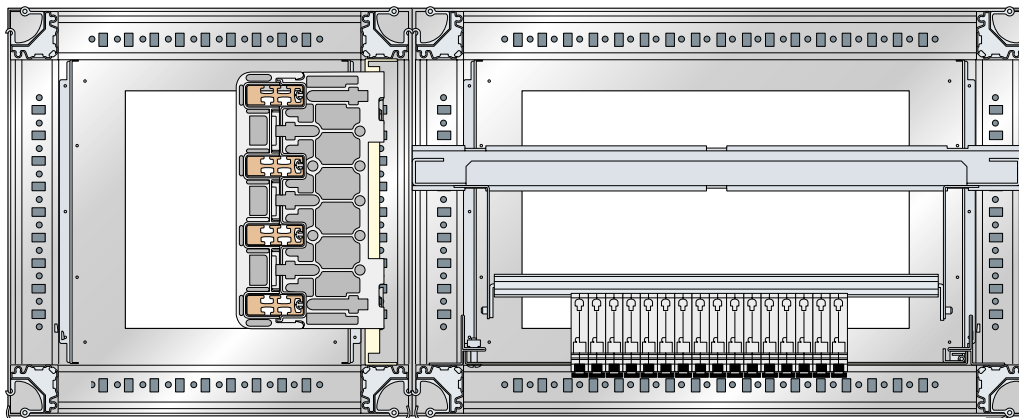


6

Linear busbar holder PB1603

ISX

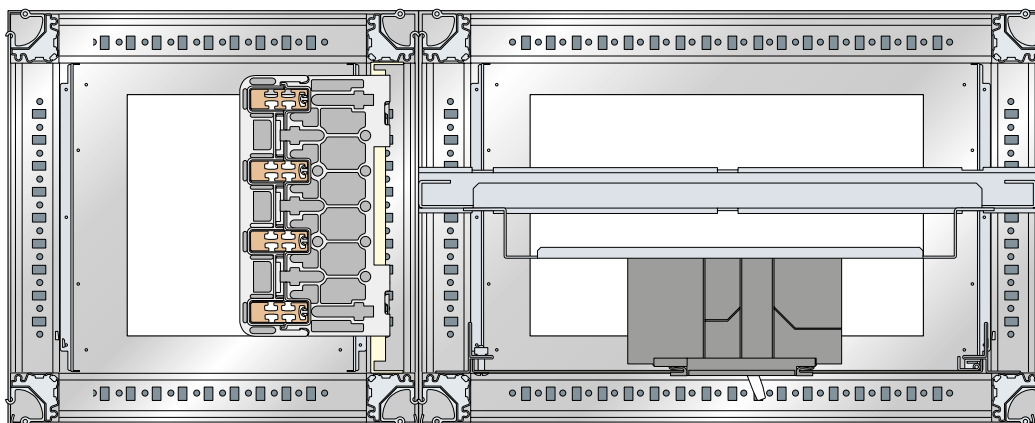
Busbars in the additional structure W=400mm and DIN rail apparatus holder fixed on the back plate.



Linear busbar holder PB1603

ISX

Busbars in the additional structure W=400mm and kit for moulded-case apparatus fixed on the back plate.



In-depth technical information

Ventilation and air conditioning

General characteristics and applications

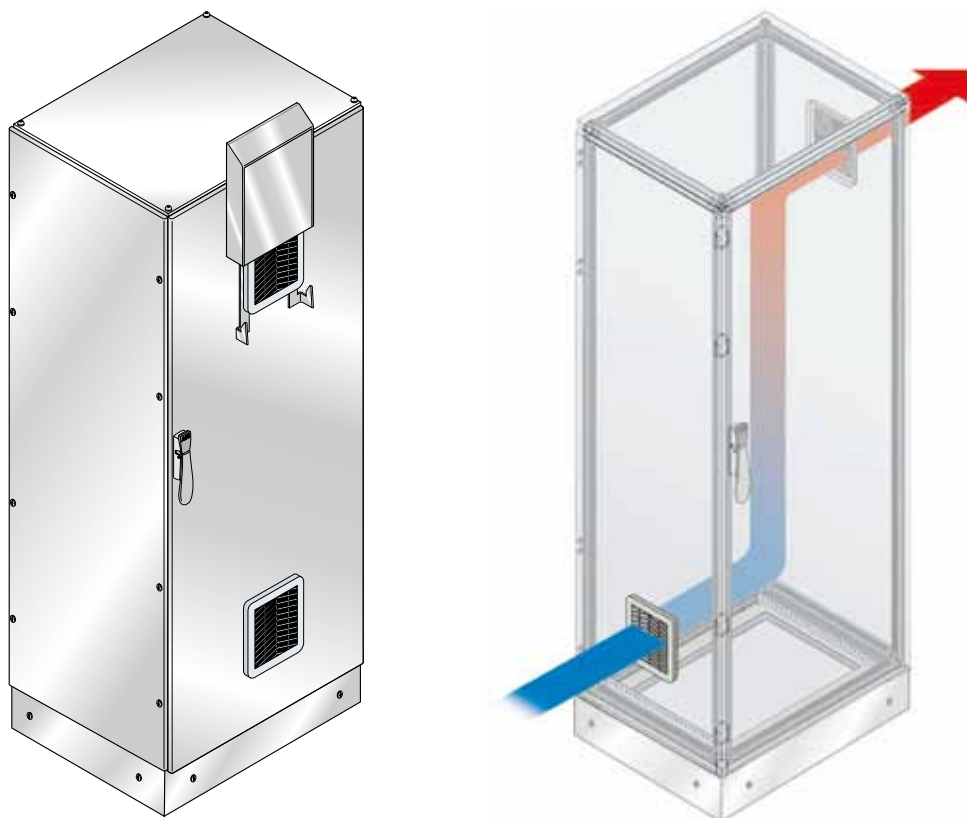
Natural ventilation together with forced ventilation is used when the temperature inside the electrical panel board exceeds the ambient temperature. Fans are economical and efficient, making it possible to keep degrees of protection up to IP54, in the case of use of a filter, or IP21 without the latter.

The only precaution needed is periodic cleaning of the filtering elements.

Natural ventilation

Panel board cooling can be obtained by means of simple natural convection.

In fact, it is sufficient to install aeration kit (in the different ways shown in the diagram) to obtain a fair improvement in panel board cooling.



Natural aeration with gratings (IP54 with filter or IP21 without filter).

In-depth technical information

Ventilation and air conditioning

Operation and selection of components

Forced ventilation

Operation of the ventilation kit is simple: the ambient air - in this case colder than the air inside the panel board - is sucked up from below, filtered of impurities and conveyed inside. It grazes the apparatus cooling it, whilst the warmer air flows towards the upper part and exits through the special air passage.

In this way a slight overpressure is created inside, which prevents dust from entering.

Even when the fan is not working, there is no formation of condensation and humidity, since the entry and exit fans are a guarantee of rapid heat exchange.

For correct operation, it is good practice to periodically clean the filtering part by shaking, compressed air or washing in water, or to replace it with a new cloth.

6

How to calculate the capacities of the fans

Once the value of the power to be dissipated has been calculated, given by the sum of the dissipating power of each device, and by the conductors (taking into account the contemporaneity coefficient as well) and once the maximum temperature inside the panel board has been defined – compatibly with correct operation of the apparatus it contains – the following formula must be applied:

$$Q = \frac{P}{\Delta T} \cdot f$$

where:

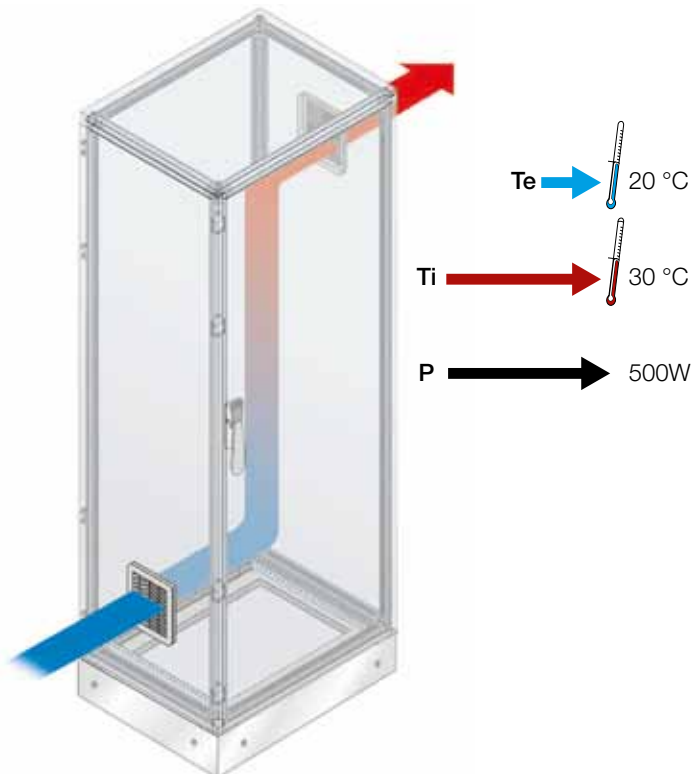
Q = fan capacity (m³/h)

P = power to be dissipated (W)

ΔT = difference in the ambient temperature Te and the temperature inside the panel board Ti

f = coefficient of thermal exchange

Ti > Te



Height m/slm	f m ³ °C/Wh
0 ÷ 100	3.1
100 ÷ 250	3.2
250 ÷ 500	3.3
500 ÷ 700	3.4
750 ÷ 1000	3.5

example: $Q = \frac{500}{10} \cdot 3.2 = 160 \frac{\text{m}^3}{\text{h}}$

How to install the ventilation kit

Use of a ventilator as a means for extracting heat from a cabinet is recommended when an internal temperature higher than the ambient temperature is acceptable.

In both cases (A and B), to improve the thermal performances of the system, it is advisable to use the filter without a fan one size larger than the one with a fan.

The best thermal situations are obtained by installing the aeration kit in the following ways:

Ventilation kit at the top and filter at the bottom on the opposite wall - Fig.1

The fan sucks in hot air from the top area of the cabinet towards the outside, whilst fresh air enters through the filter placed at the bottom. This configuration is recommended for cabinets fitted with gaskets as it is the condition which offers better temperature distribution.

Ventilation kit at the bottom and filter at the top on the opposite wall - Fig.2

The fan sucks in fresh air from the outside towards the bottom area inside the cabinet, whilst hot air exits through the filter placed at the top. This solution is particularly recommended when you want to avoid entry of dust as far as possible, using the delivery fan, so as to put the cabinet under pressure and prevent entry of dust through the gaps between the panels. Entry of dust is prevented by the fan filter.

Hood with fan mounted on the cabinet roof and filter placed at the bottom on a wall - Fig.3

In this configuration, the air flow moves from the bottom towards the top: fresh air enters the cabinet through the filter placed at the bottom and hot air exits to the room through the hood. When the hood is used, what has already been said in the previous cases is valid with regard to selecting to mount the fan on delivery or on suction.

Air flow

Fig. 1

Fig. 2

Fig. 3



In-depth technical information

Ventilation and air conditioning

Technical characteristics



Fans

6

Characteristic	U.m.	EN1105K	EN2105K
Capacity air	m ³ /h	23/30	23/30
Standard power supply (single-phase)	V a.c.	230	115
Frequency	Hz	50/60	50/60
Total power consumption	W	10/8	9/7
Rated current	A	0.07/0.055	0.115/0.092
Rotation speed	rpm	2700	2700
Noise	dB(A)	33/38	33/38
Operating temperature	°C	-10+50	-10+50
Electrical life	h	45.000	45.000
Degree of protection	IP	54	54
Class		I	I
Weight	Kg	0,5	0,5
Protection		Impedance	Impedance
Electric connection		Wires	Wires
Mounting		No screws	No screws
Flow direction		Reversible	Reversible
Bearing		Bearings	Bearings
Dimensions	mm (WxHxD)	105x105x67	105x105x67
Colour	RAL	7035	7035
Approvals		CE, UL	CE, UL

Characteristic	U.m.	EN2204K	EN1250K
Capacity air	m ³ /h	120/135	240/270
Standard power supply (single-phase)	V a.c.	115	230
Frequency	Hz	50/60	50/60
Total power consumption	W	17/15	29/29
Rated current	A	0.200/0.160	0.132/0.130
Rotation speed	rpm	2700	2800
Noise	dB(A)	46/50	50/55
Operating temperature	°C	-10+50	-10+50
Electrical life	h	45.000	45.000
Degree of protection	IP	54	54
Class		I	I
Weight	Kg	1,1	1,7
Protection		Impedance	Thermal
Electric connection		3-pole term.	3-pole term.
Mounting		No screws	No screws
Flow direction		Reversible	Reversible
Bearing		Bearings	Bearings
Dimensions	mm (WxHxD)	204x204x98	250x250x121
Colour	RAL	7035	7035
Approvals		CE, UL	CE, UL

In any forced ventilation kit, the fan wheel is balanced. In the larger sizes (cod. EN2325K and cod. EN3325K) there is the balancing clip. The balanced fan wheel ensures less noise and absorption.

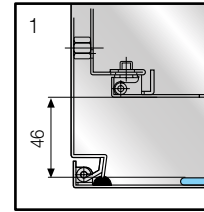
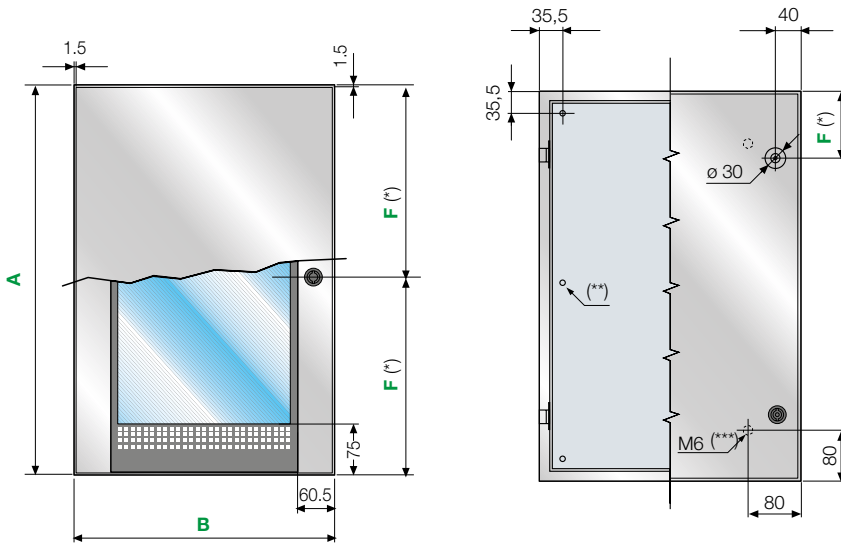
EN1150K	EN2150K	EN1204K
57/61	57/61	120/135
230	115	230
50/60	50/60	50/60
20/19	20/19	17/15
0.125/0.110	0.210/0.180	0.100/0.090
2650	2650	2700
46/49	46/49	46/50
-10+50	-10+50	-10+50
45.000	45.000	45.000
54	54	54
0,8	0,8	1,1
Impedance	Impedance	Impedance
2-pole term.	2-pole term.	3-pole term.
No screws	No screws	No screws
Reversible	Reversible	Reversible
Bearings	Bearings	Bearings
150x150x71	150x150x71	204x204x98
7035	7035	7035
CE, UL	CE, UL	CE, UL
EN2250K	EN2325K	EN3325K
240/270	520/580	520/580
115	230	115
50/60	50/60	50/60
30/30	67/87	50/64
0.265/0.274	0.300/0.382	0.540/0.650
2800	2770	3120
50/55	65/68	66/69
-10+50	-10+50	-10+55
45.000	50.000	53.000
54	54	54
1,7	3,7	3,7
Thermal	Thermal	Thermal
3-pole term.	3-pole term.	3-pole term.
No screws	No screws	No screws
Reversible	Reversible	Reversible
Bearings	Bearings	Bearings
250x250x121	325x325x161	325x325x161
7035	7035	7035
CE, UL	CE	CE

Overall dimensions

SRX enclosures	7/2
AMX cabinets	7/4
ISX cabinets	7/9
Natural ventilation, forced ventilation, air conditioning	7/26
Drilling	7/28
Accessories	7/29

Overall dimensions SRX enclosures

Basic version



(¹) Locks (F)

- 1 central for enclosures from h=303 to 503 mm
- 2 for enclosures from h=603 to 703 mm (F=100mm)
- 2 for enclosures from h=803 to 1203 mm (F=150mm)

(²) Copper plated nut on the rear

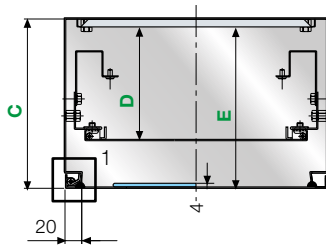
only for enclosures from h=1003 to 1203 mm

(³) Copper plated nut on door

- 1 for enclosures from h=303 to 503 mm
- 4 for enclosures from h=603 to 803 mm
- 6 for enclosures from h=1003 to 1203 mm

7

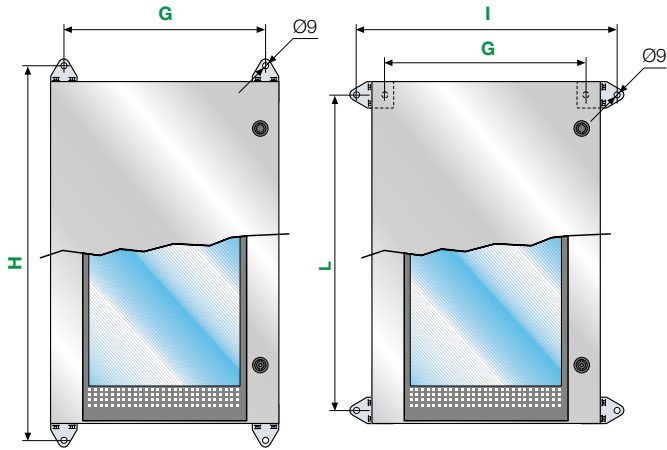
Modular panels and inner door



Code	A	B	C	D	E	F (¹)	G	H	I	L
SRN3215X	303	203	147	82	133,5	151,5	163	337	237	263
SRN3415X	303	403	147	82	133,5	151,5	363	337	437	263
SRN4315X	403	303	147	82	133,5	201,5	263	437	337	363
SRN4320X	403	303	197	132	183,5	201,5	263	437	337	363
SRN4420X	403	403	197	132	183,5	201,5	363	437	437	363
SRN4620X	403	603	197	132	183,5	201,5	563	437	637	363
SRN5420X - SRN5420VX	503	403	197	132	183,5	251,5	363	537	437	463
SRN5520X	503	503	197	132	183,5	251,5	363	537	437	463
SRN6420X - SRN6420VX	603	403	197	132	183,5	100	363	637	437	563
SRN6620X	603	603	197	132	183,5	100	363	637	437	563
SRN6630X	603	603	297	232	283,5	100	363	637	437	563
SRN7525X - SRN7525VX	703	503	247	182	233,5	100	463	737	537	663
SRN8620X	803	603	197	132	183,5	150	363	637	437	563
SRN8625VX	803	603	247	182	233,5	150	563	837	637	763
SRN8630X	803	603	297	232	283,5	150	563	837	637	763
SRN8830X	803	803	297	232	283,5	150	763	837	837	763
SRN10830X - SRN10830VX	1003	803	297	232	283,5	150	763	1037	837	963
SRN12630X	1203	603	297	232	283,5	150	563	1237	637	1163
SRN12830X	1203	803	297	232	283,5	150	763	1237	837	1163

> Measurements are in millimetres

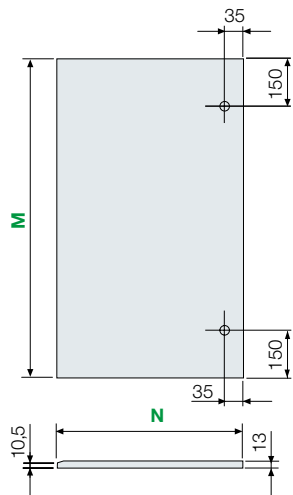
Centre distances for wall-mounting



Centre distances for plinth fixing



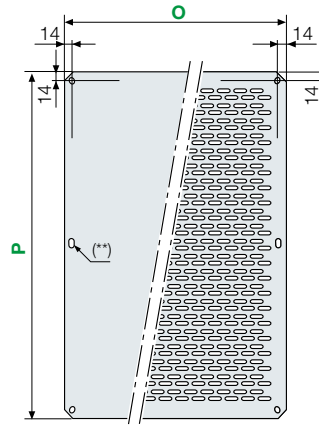
Inner doors



Code	M	N
KC5040X*	456	360
KC6040X*	556	360
KC7050X*	656	460
KC8060X	756	560
KC1080X	956	760

* Inner doors with H 500mm, 600mm, 700mm only have one hole in the centre for the lock

Internal plates

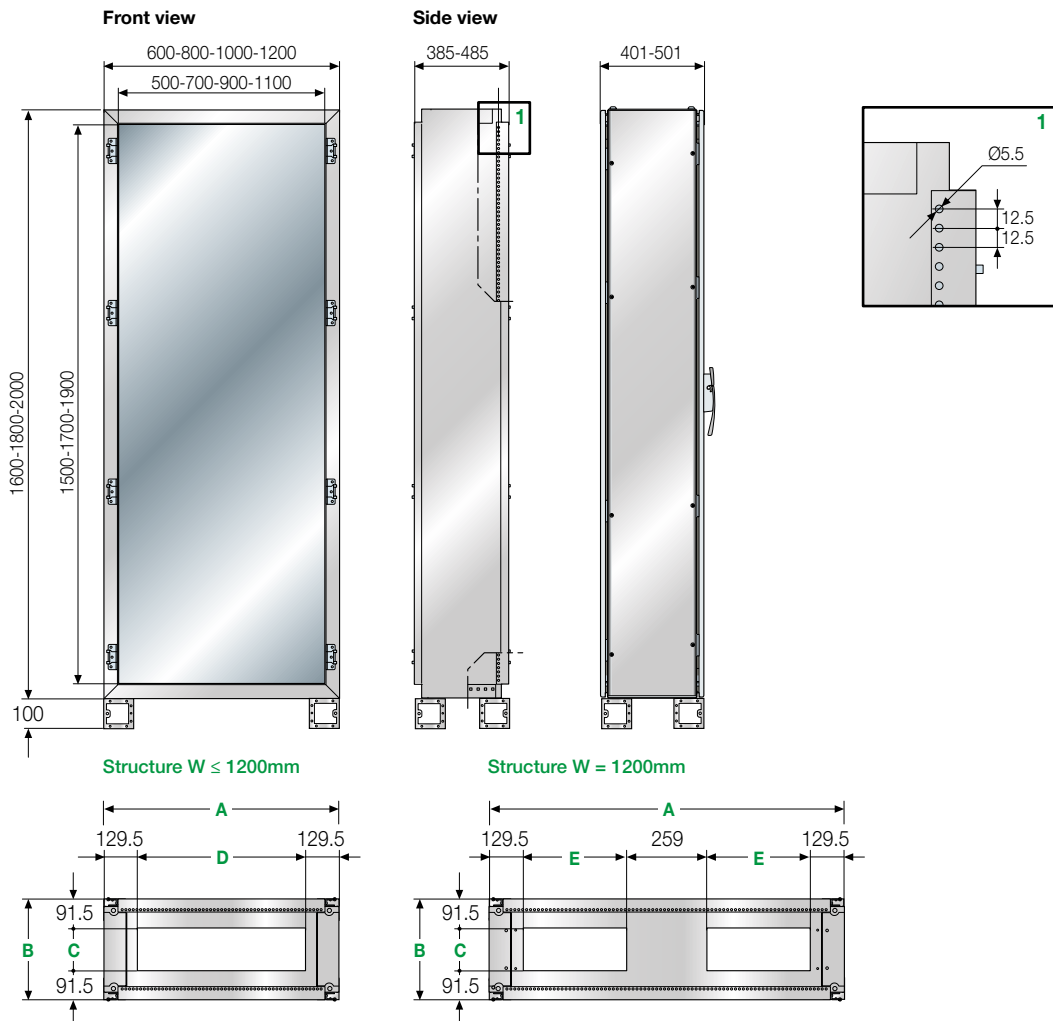


Code	O	P
PF3020	160	260
PF3030	260	260
PF3040 - PF4030	360	260
PF4040	360	360
PF5030	260	460
PF5040	360	460
PF5050	460	460
PF6040 - PF4060	360	560
PF6060	560	560
PF7050	460	660
PF8060	560	760
PF8080	760	760
PF1060	560	960
PF1080	760	960
PF1260	560	1160
PF1280	760	1160

> Measurements are in millimetres

Overall dimensions AMX cabinets

Structure



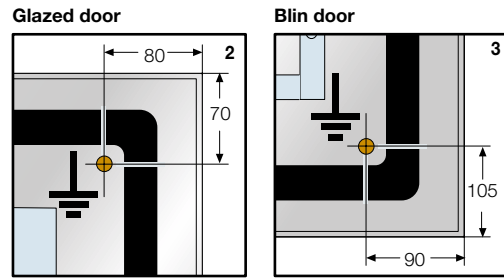
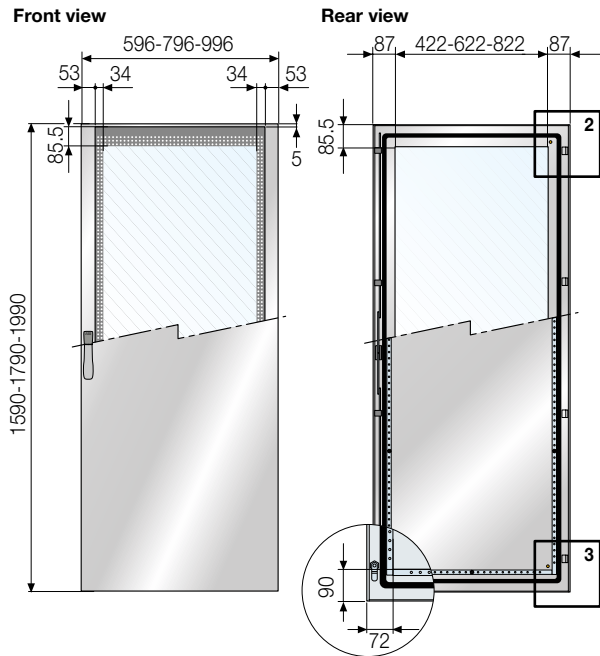
7

A	B	C	D	E
600	385	202	341	
	485	302	341	
800	385	202	541	
	485	302	541	
1000	385	202	741	
	485	302	741	
1200	385	202		341
	485	302		341

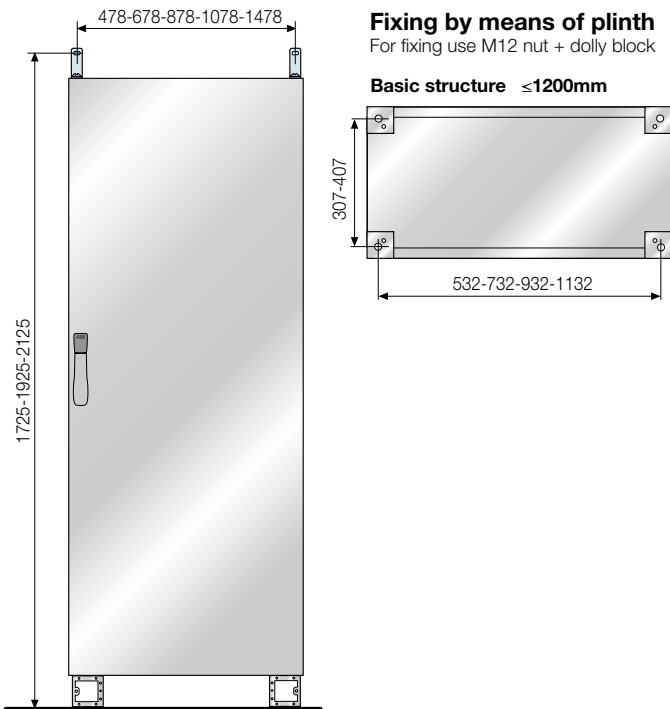
> Measurements are in millimetres

Front/rear covers

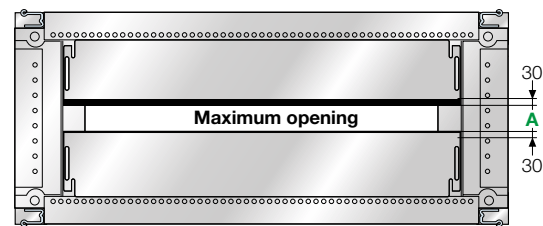
Blind or glazed door H=1600/1800/2000mm



Fixing to wall/floor



Flanges for passage of sliding cables

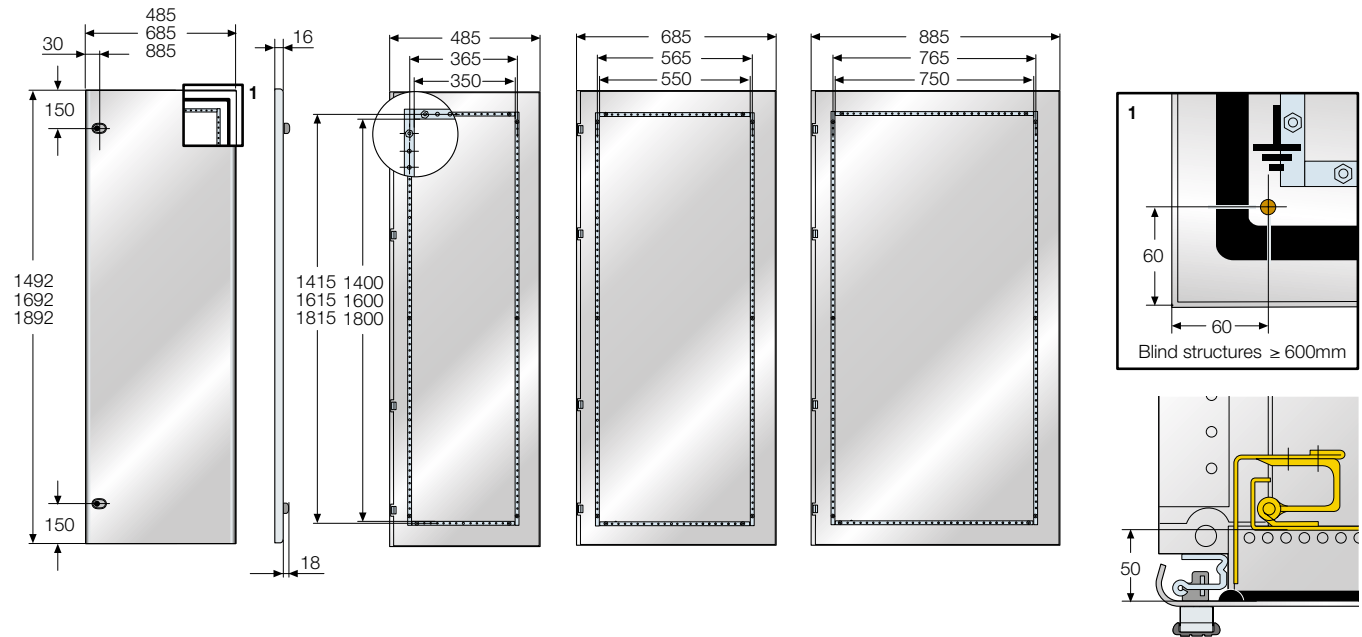


Structure D (mm)	A
400	40
500	60

> Measurements are in millimetres

Overall dimensions AMX cabinets

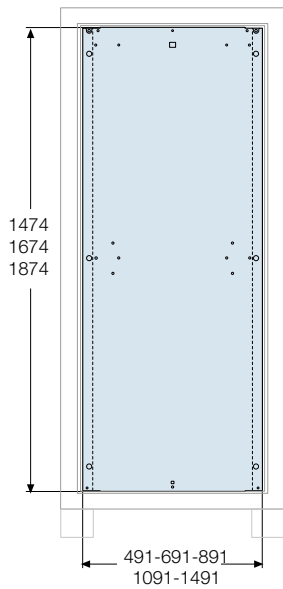
Inner door



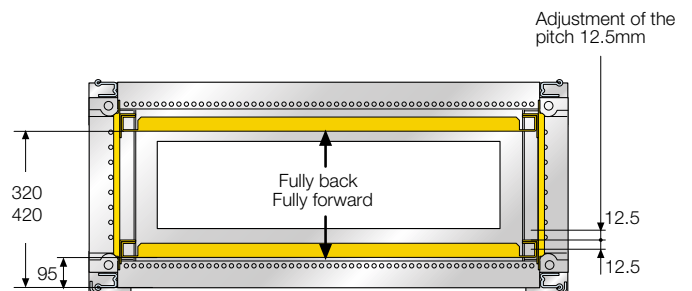
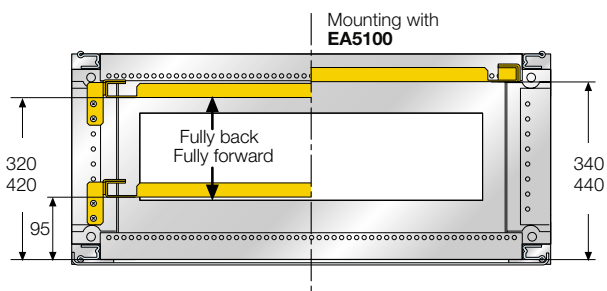
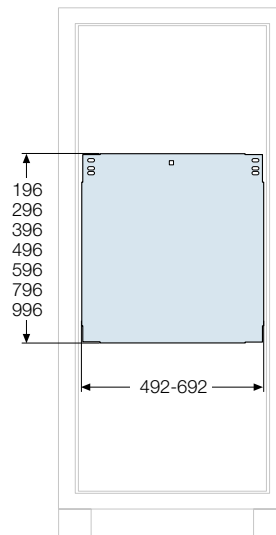
7

Mounting plates

Standard plate



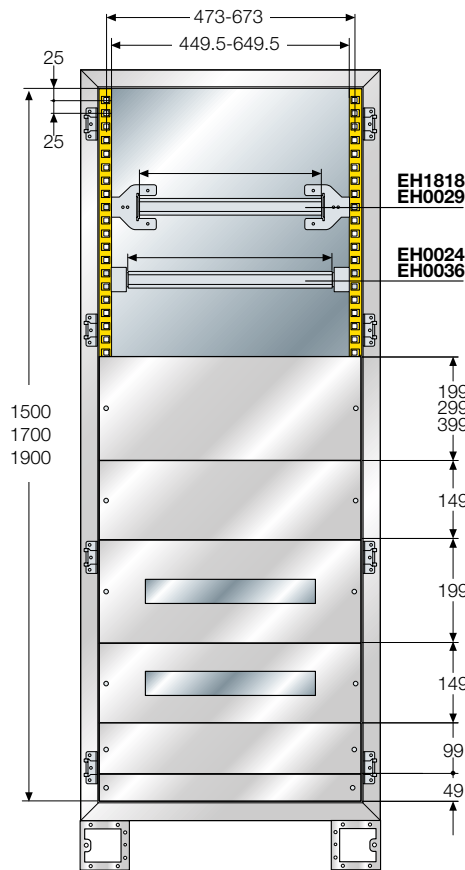
Partial height plate



> Measurements are in millimetres

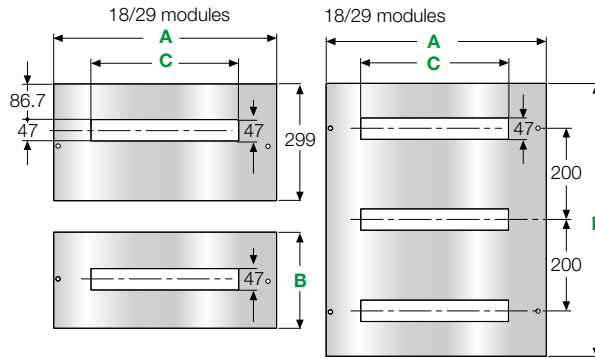
Kit for modular apparatus

DIN rail kit

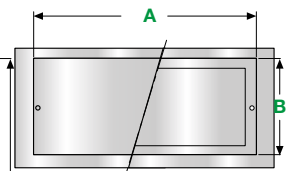


Panels for modular instruments, blind panels

Panels for modular instruments



Flat and recessed blind panels



Panels for modular instruments 1 DIN row

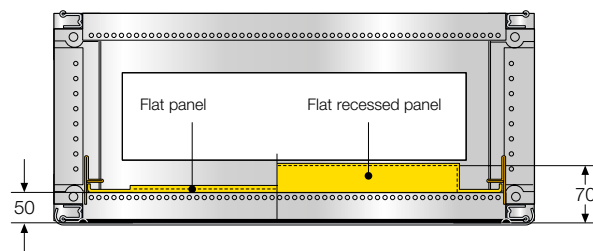
Code	A	B	C	N mod.
EH1518X	489.5	149	324.5	18
EH2018X	489.5	199	324.5	18
EH3018X	489.5	299	324.5	18
EH1529X	689.5	149	524.5	29
EH2029X	689.5	199	524.5	29
EH3029X	689.5	299	524.5	29
EH1524X	489.5	149	432	24
EH2024X	489.5	199	432	24
EH1536X	689.5	149	634	36
EH2036X	689.5	199	634	36

Opaque panels

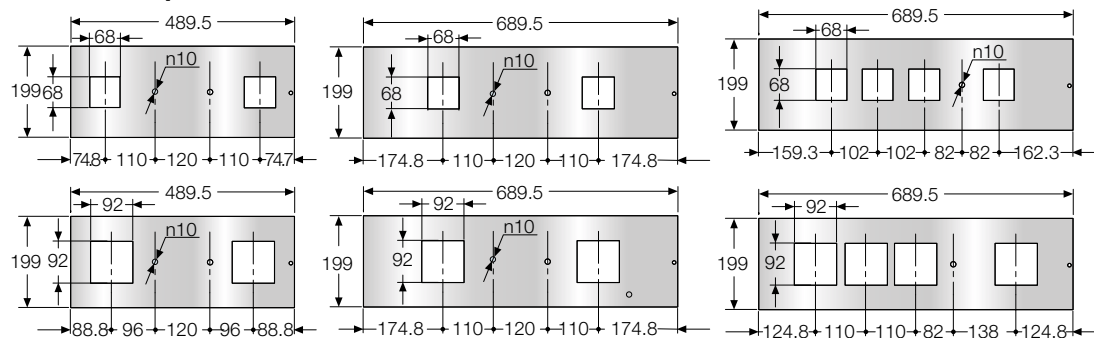
Flush	Reces- sed	A	B
EH0562X		489.5	49
EH1062X		489.5	99
EH1562X		489.5	149
EH2062X	EH2063X	489.5	199
EH3063X	EH3064X	489.5	299
EH4062X	EH4064X	489.5	299
EH5062X	EH5063X	489.5	499
EH6062X	EH6063X	489.5	599
EH0582X		689.5	49
EH1082X		689.5	99
EH1582X		689.5	149
EH2082X	EH2083X	689.5	199
EH3082X	EH3083X	689.5	299
EH4082X	EH4083X	689.5	299
EH5082X	EH5084X	689.5	499
EH6082X	EH6084X	689.5	599

Panels for modular instruments 3 DIN rows

Code	A	B	C	N mod.
EH6018X	489.5	599	324.5	18
EH6029X	689.5	599	524.5	29
EH6025X	489.5	599	324.5	24
EH6036X	689.5	599	524.5	36



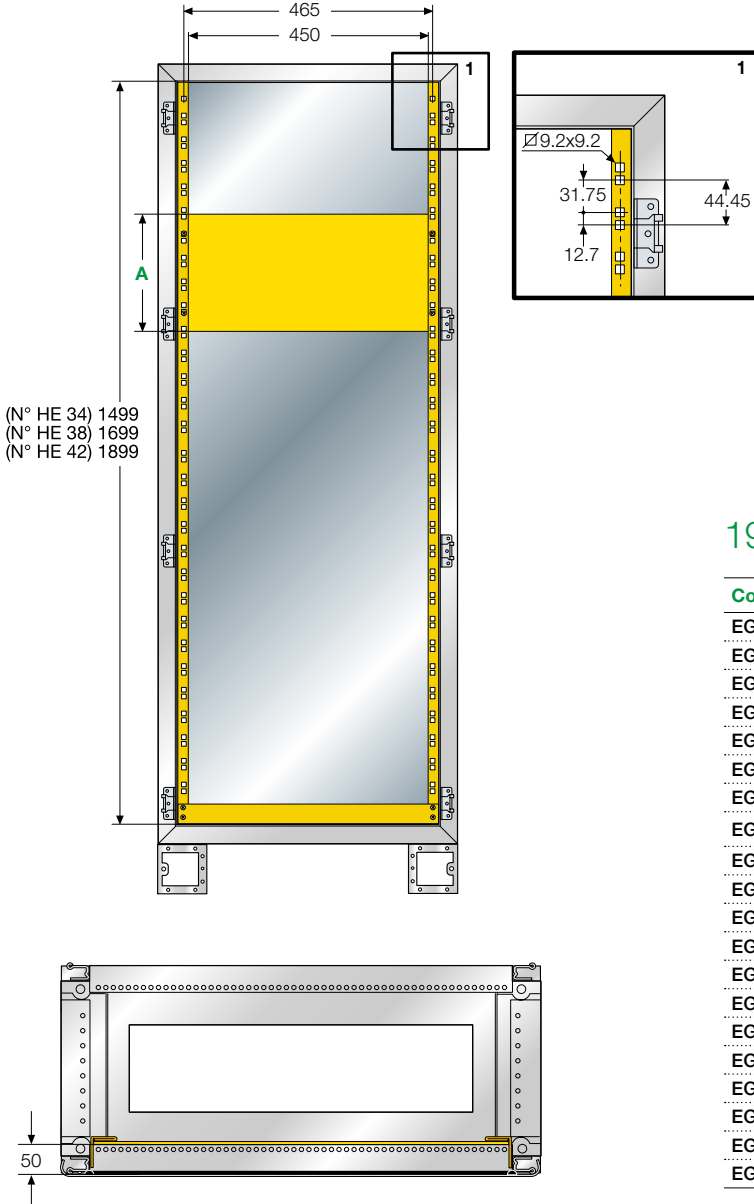
Instruments panels



> Measurements are in millimetres

Overall dimensions AMX cabinets

19" rack frames



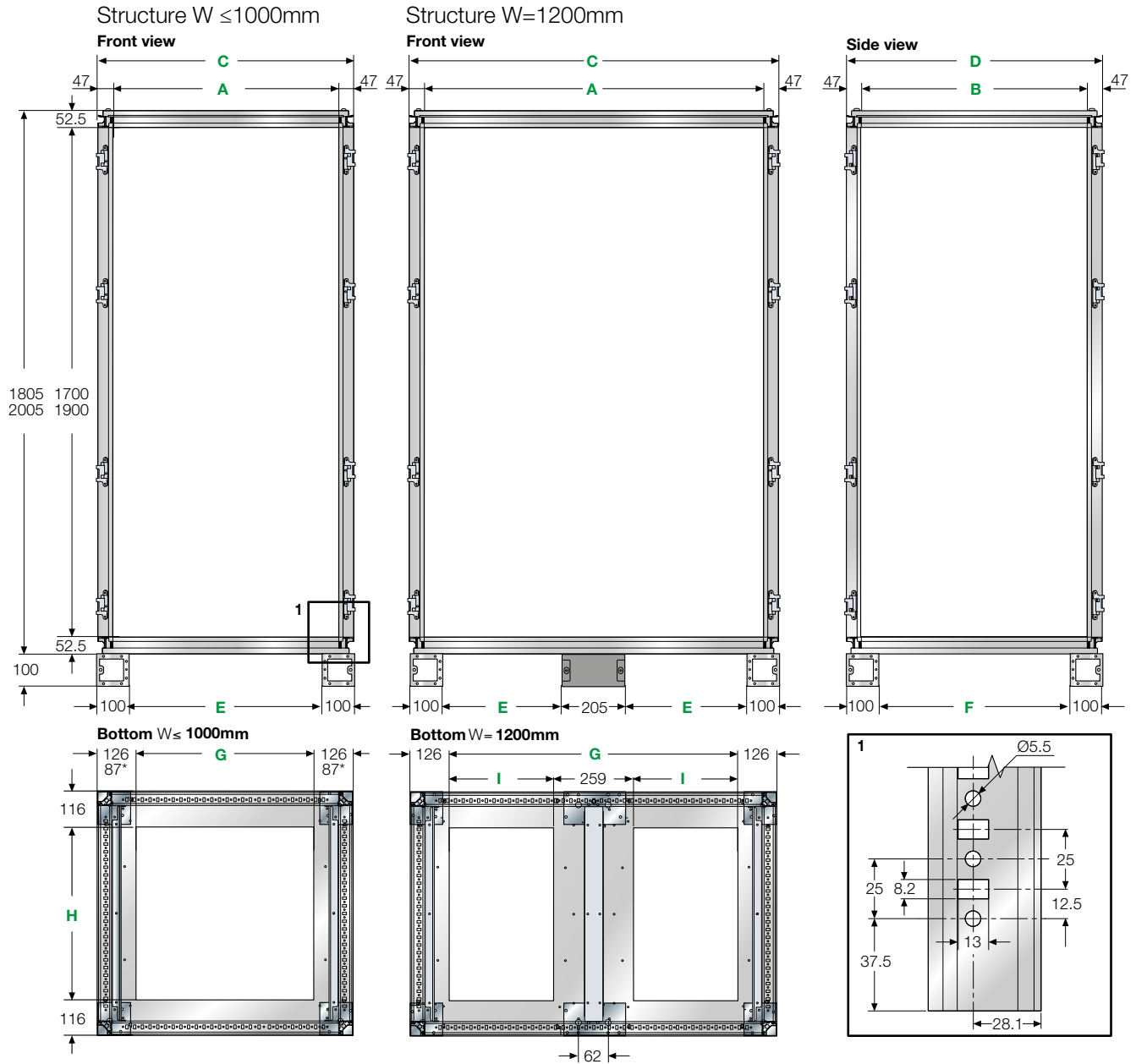
19" rack frame panels

Code	A	No. HE
EG1991	44.45	1
EG1902	89	2
EG1903	133	3
EG1904	177.5	4
EG1905	222	5
EG1906	266.5	6
EG1907	311	7
EG1908	355.5	8
EG1909	400	9
EG1910	444.5	10
EG1911	488	11
EG1912	533	12
EG1913	577.5	13
EG1914	622	14
EG1915	666	15
EG1916	711	16
EG1917	755.5	17
EG1918	800	18
EG1999	844.5	19
EG1920	889	20

> Measurements are in millimetres

Overall dimensions ISX cabinets

Basic structure



A	B	C	D	E	F	G	H
	300		394		193		162
500	400	594	494	393	293	342	262
	500		594		393		362
700	300		394		193		239
	400	794	494	593	293	542	339
	500		594		393		439

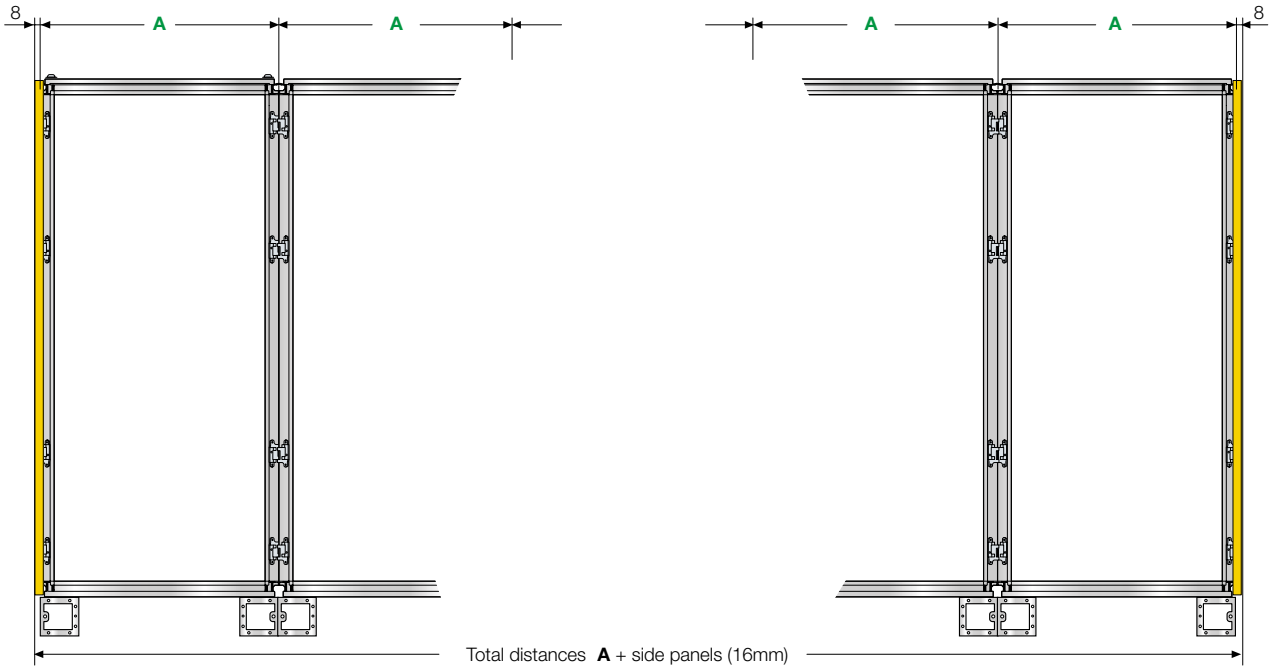
A	B	C	D	E	F	G	H	I
	300		394		193		162	
900	400	994	494	793	293	742	262	
	500		594		393		362	
1100	300		394		193		162	
	400	1194	494	394	293	942	262	341.5
	500		594		393		362	

> Measurements are in millimetres

Overall dimensions ISX cabinets

Placing structures side by side and fixing to the floor

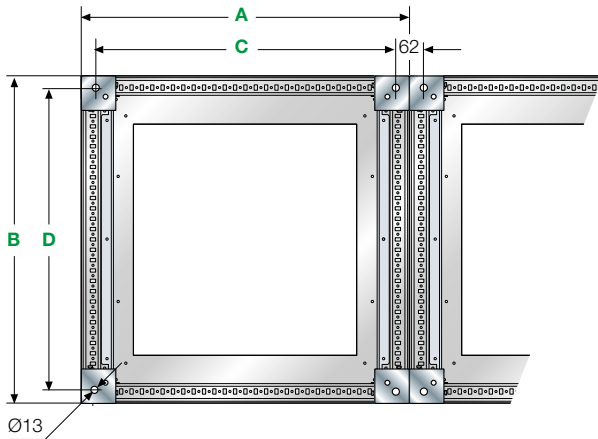
Overall dimensions of several structures side by side



7

Fixing by means of plinth

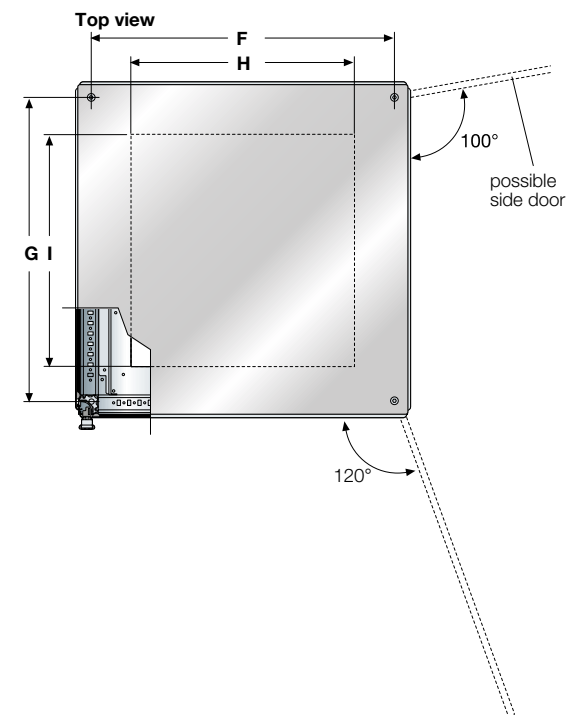
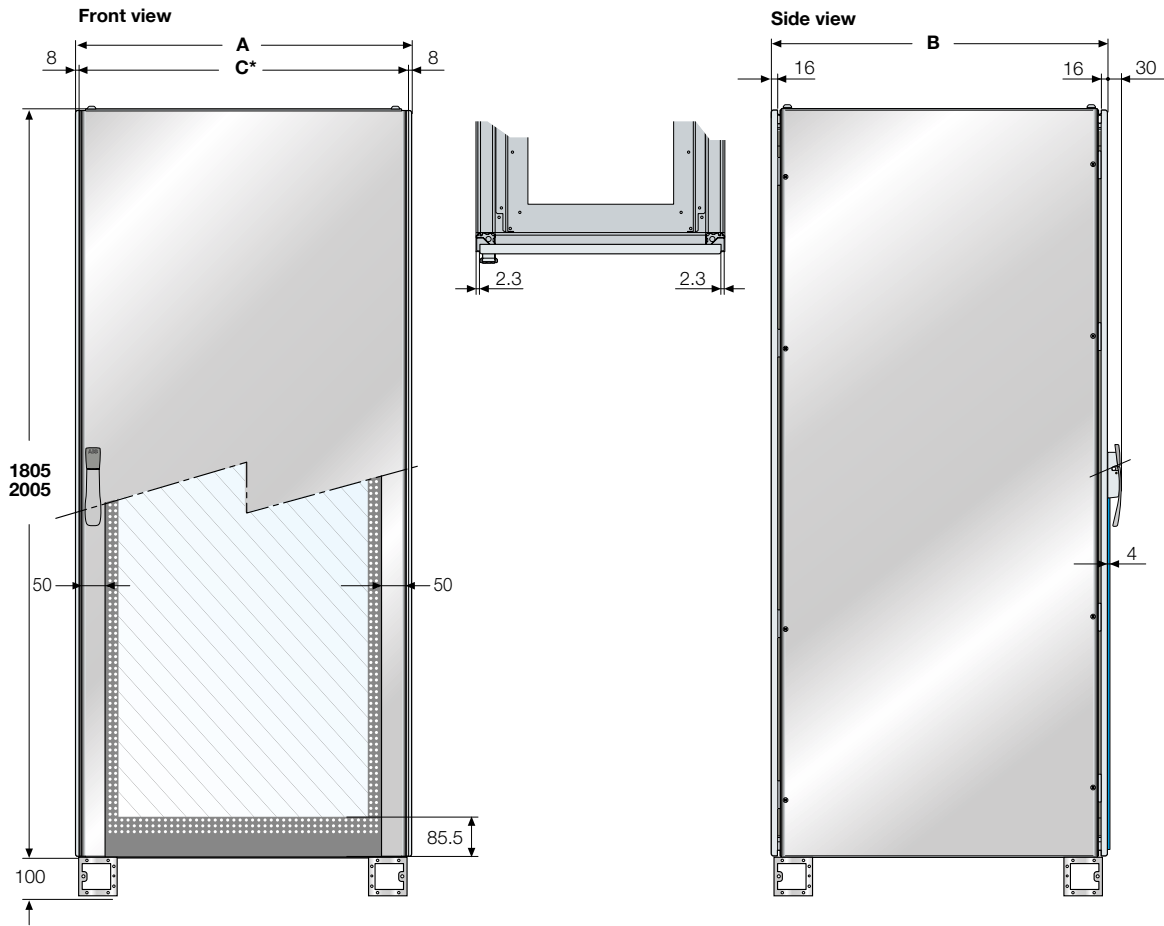
For fixing, use M12 nut + dolly block



A	B	C	D
	394		332
594	494	532	432
	594		532
794	394		332
	494	732	432
	594		532
994	394		332
	494	932	432
	594		532
1194	394		332
	494	1132	432
	594		532

> Measurements are in millimetres

Version with opaque or transparent door



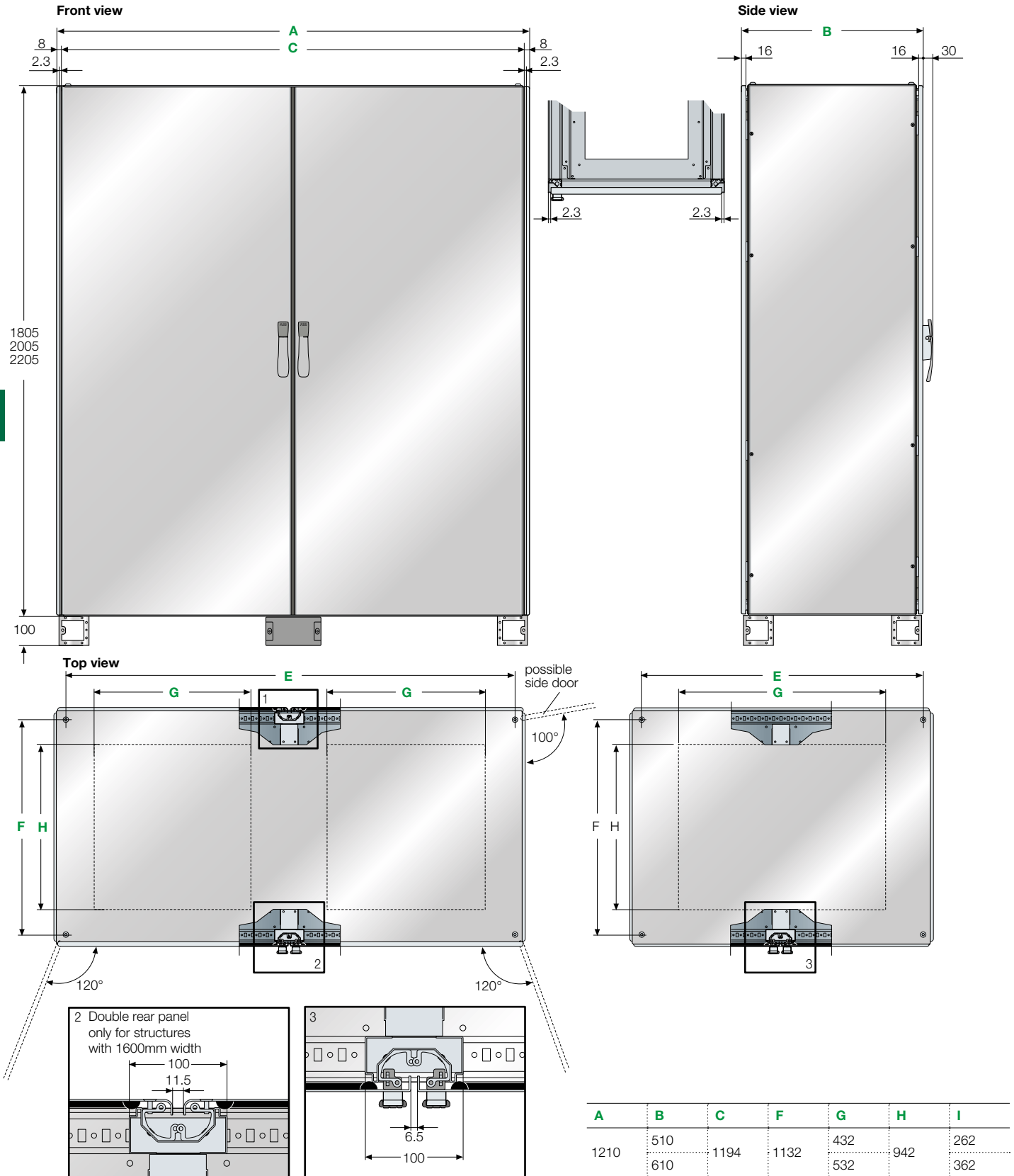
A	B	C*	F	G	H	I
610	410	594	532	332	342	162
	510			432		262
	610			532		362
810	410	794	732	332	542	162
	510			432		262
	610			532		362
1010	410	994	932	332	742	162
	510			432		262
	610			532		362

* Structure dimensions without side panels

> Measurements are in millimetres

Overall dimensions ISX cabinets

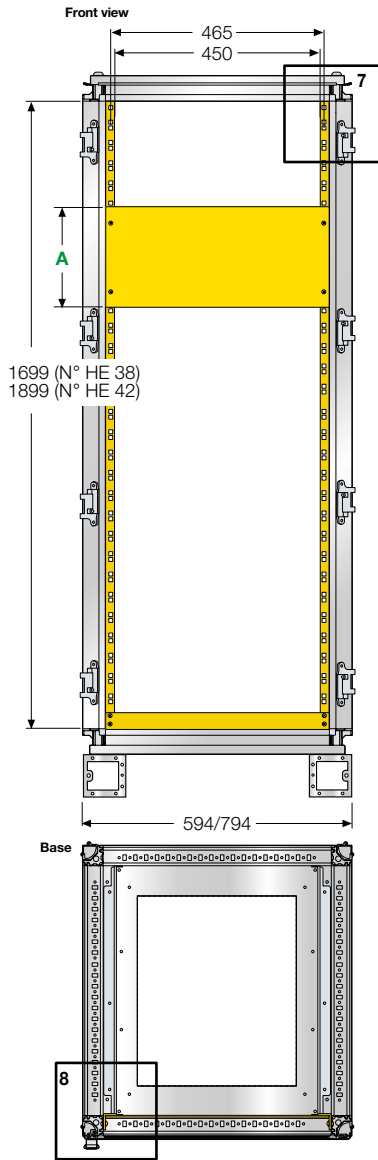
Version with opaque double doors



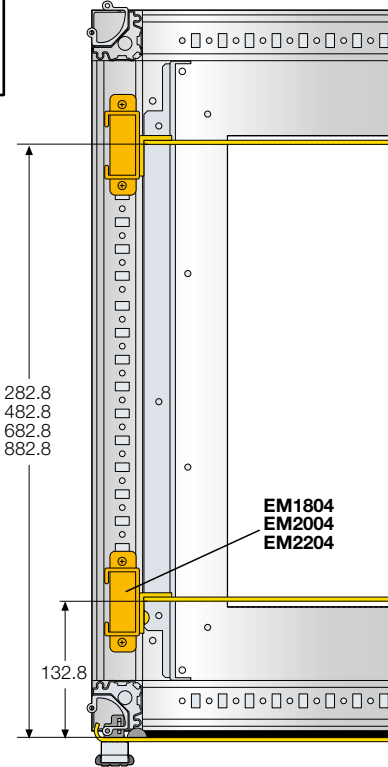
> Measurements are in millimetres

19" rack frames

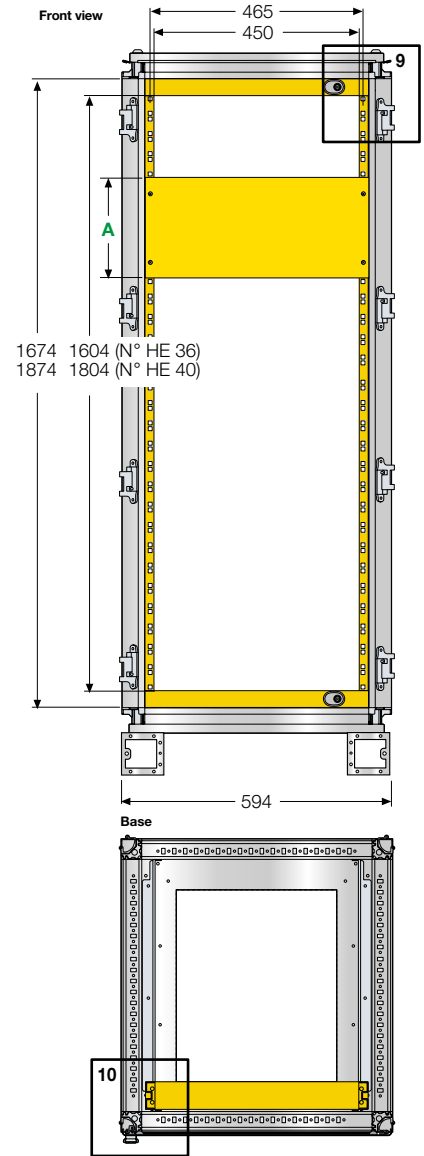
Fixed rack frame



Swing rack frame fixed rack frame



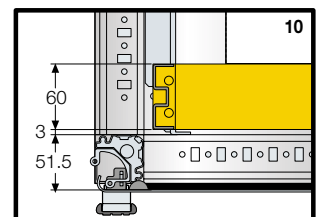
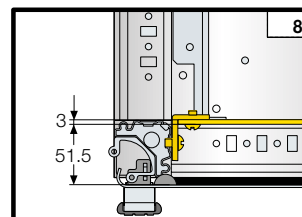
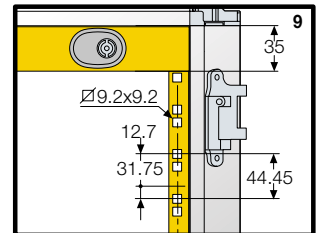
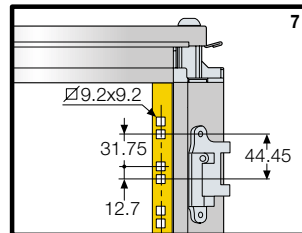
Swing rack frame W=600mm



19" rack frame panels

Code	A	No. HE
EG1991	44.45	1
EG1902	89	2
EG1903	133	3
EG1904	177.5	4
EG1905	222	5
EG1906	266.5	6
EG1907	311	7
EG1908	355.5	8
EG1909	400	9
EG1910	444.5	10

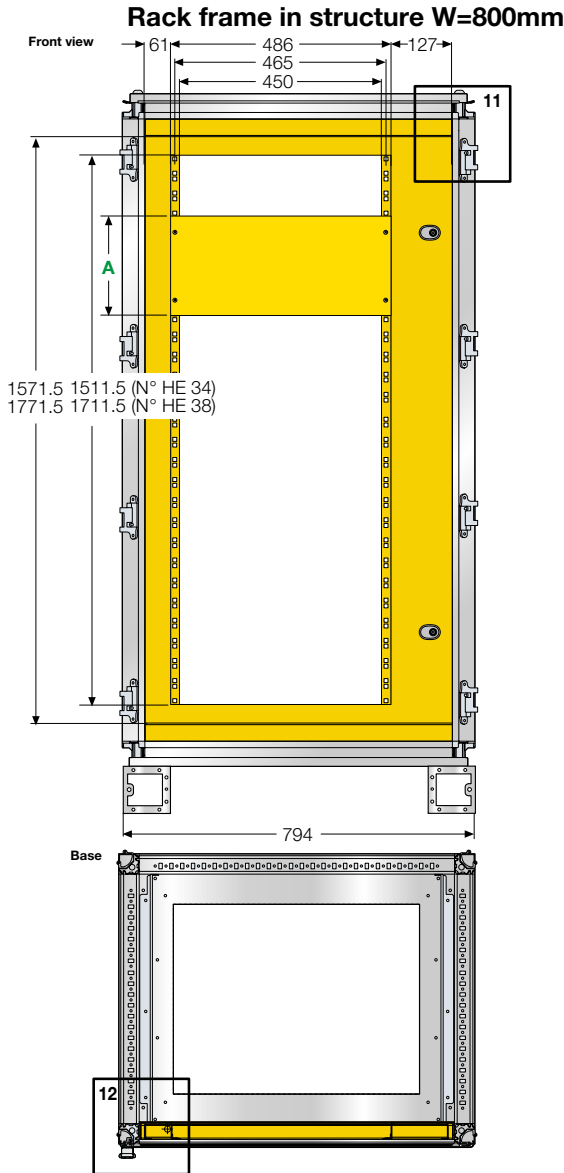
Code	A	No. HE
EG1911	488	11
EG1912	533	12
EG1913	577.5	13
EG1914	622	14
EG1915	666	15
EG1916	711	16
EG1917	755.5	17
EG1918	800	18
EG1999	844.5	19
EG1920	889	20



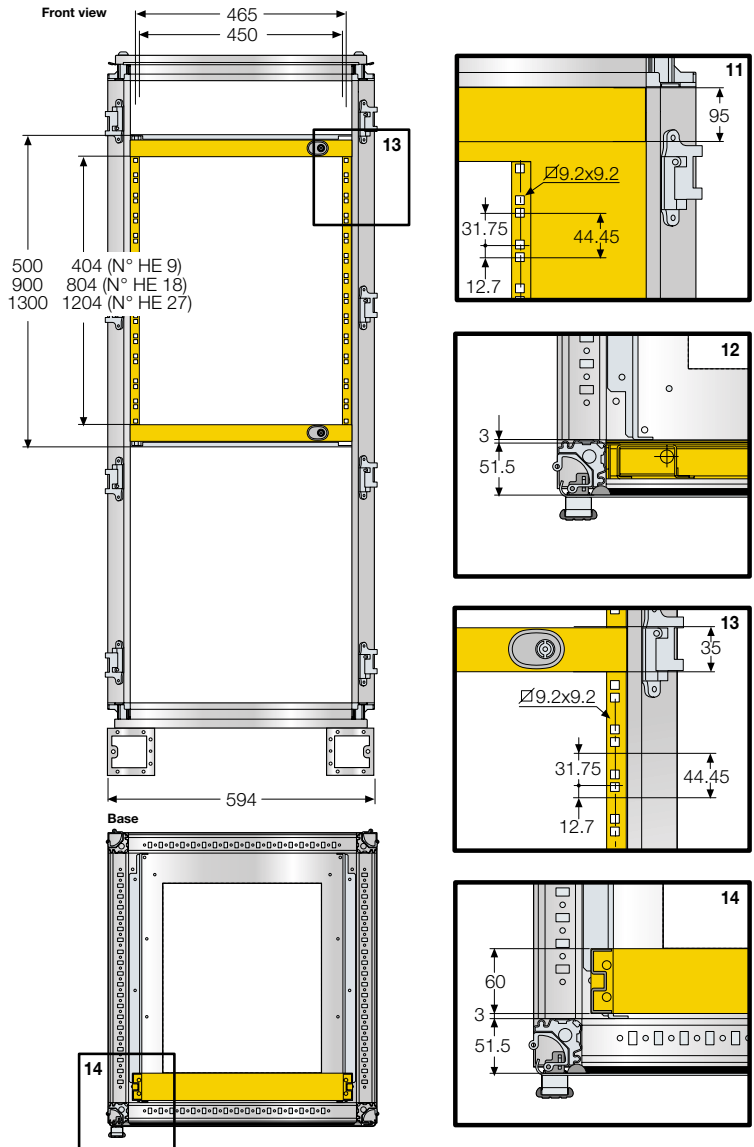
> Measurements are in millimetres

Overall dimensions ISX cabinets

19" rack frames

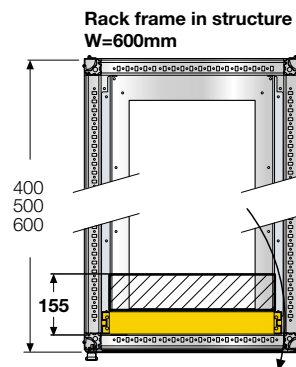


Partial swing rack frame

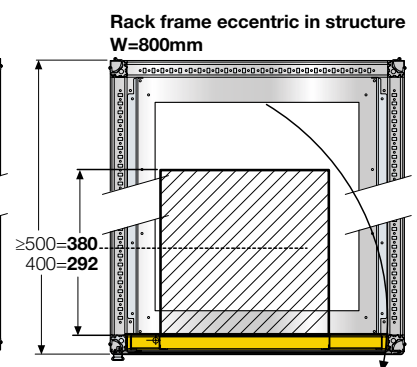


Maximum overall apparatus installation dimensions in 19" swing rack frames

Swing rack frame with 90° opening



Swing rack frame with 150° opening

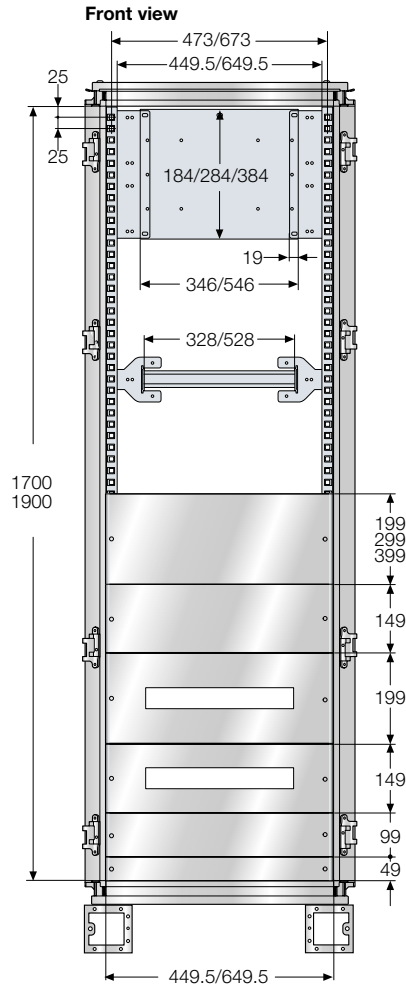


19" rack frame panels

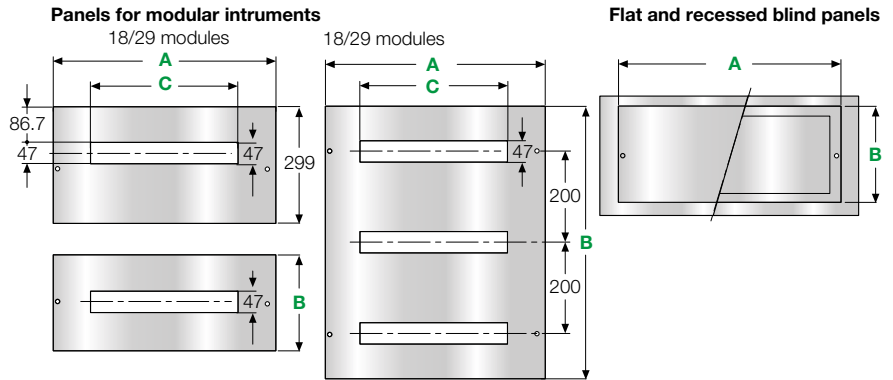
Code	A	No. HE	Code	A	No. HE
EG1991	44.45	1	EG1911	488	11
EG1902	89	2	EG1912	533	12
EG1903	133	3	EG1913	577.5	13
EG1904	177.5	4	EG1914	622	14
EG1905	222	5	EG1915	666	15
EG1906	266.5	6	EG1916	711	16
EG1907	311	7	EG1917	755.5	17
EG1908	355.5	8	EG1918	800	18
EG1909	400	9	EG1999	844.5	19
EG1910	444.5	10	EG1920	889	20

> Measurements are in millimetres

Version with kit for modular apparatuses



Panels for modular instruments, blind panels



Panels for modular instruments 1 DIN row

Code	A	B	C	No. of mod.
EH1518X	489.5	149	324.5	18
EH2018X	489.5	199	324.5	18
EH3018X	489.5	299	324.5	18
EH1529X	689.5	149	524.5	29
EH2029X	689.5	199	524.5	29
EH3029X	689.5	299	524.5	29
EH1524X	489.5	149	432	24
EH2024X	489.5	199	432	24
EH1536X	689.5	149	634	36
EH2036X	689.5	199	634	36

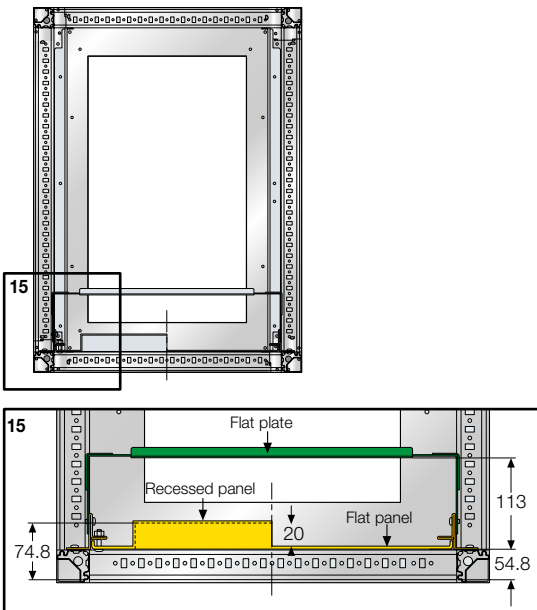
Opaque panels

Flush	Recessed	A	B
EH0562X		489.5	49
EH1062X		489.5	99
EH1562X		489.5	149
EH2062X	EH2063X	489.5	199
EH3063X	EH3064X	489.5	299
EH4062X	EH4064X	489.5	399
EH5062X	EH5063X	489.5	499
EH6062X	EH6063X	489.5	599
EH0582X		689.5	49
EH1082X		689.5	99
EH1582X		689.5	149
EH2082X	EH2083X	689.5	199
EH3082X	EH3083X	689.5	299
EH4082X	EH4083X	689.5	399
EH5082X	EH5084X	689.5	499
EH6082X	EH6084X	689.5	599

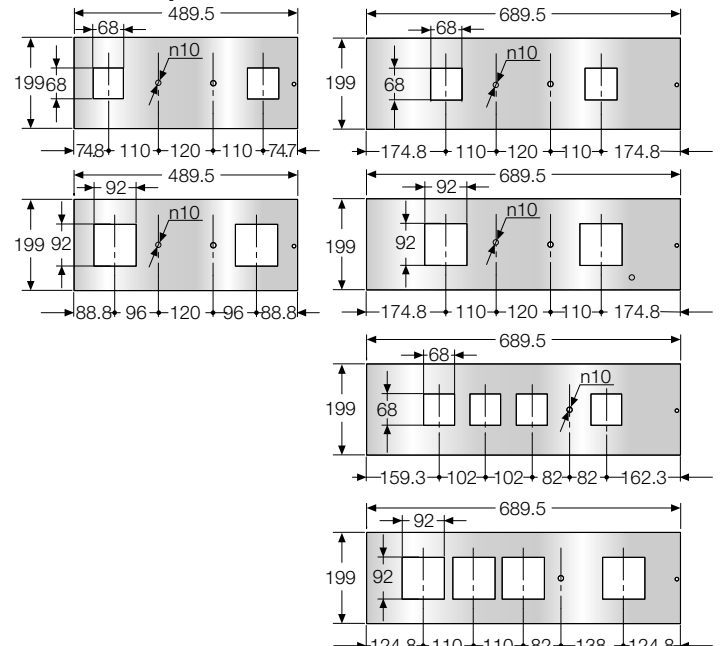
Panels for modular instruments 3 DIN rows

Code	A	B	C	No. of mod.
EH6018X	489.5	599	324.5	18
EH6029X	689.5	599	524.5	29
EH6025X	489.5	599	432	24
EH6036X	689.5	599	634	36

Base



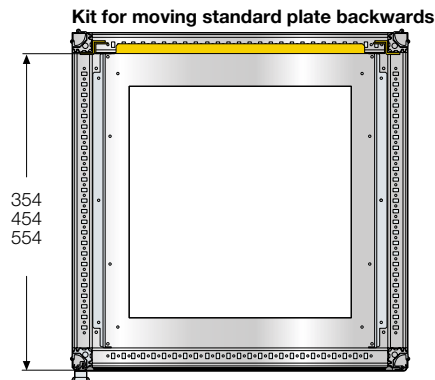
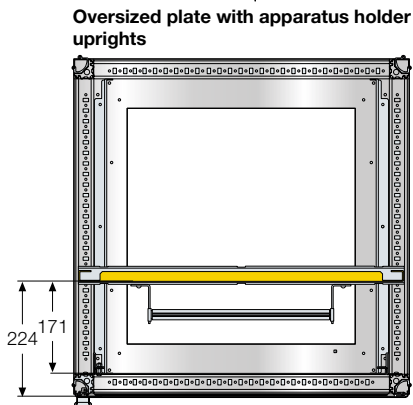
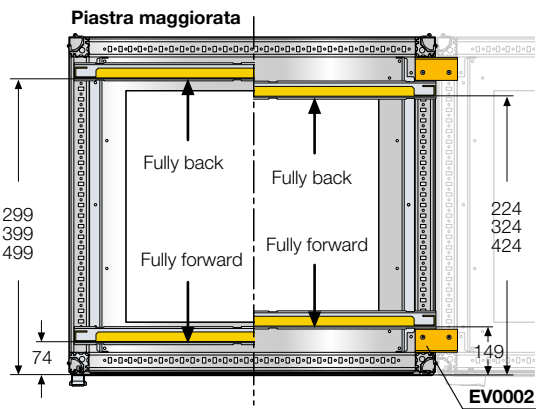
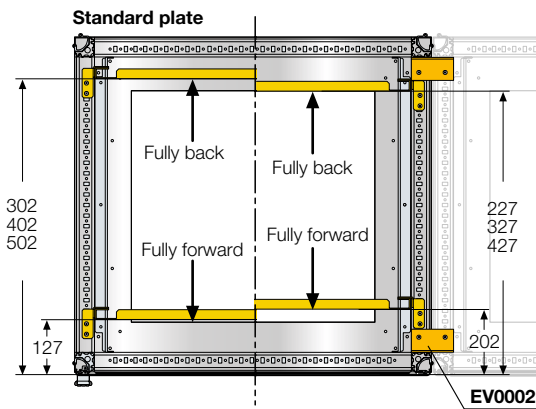
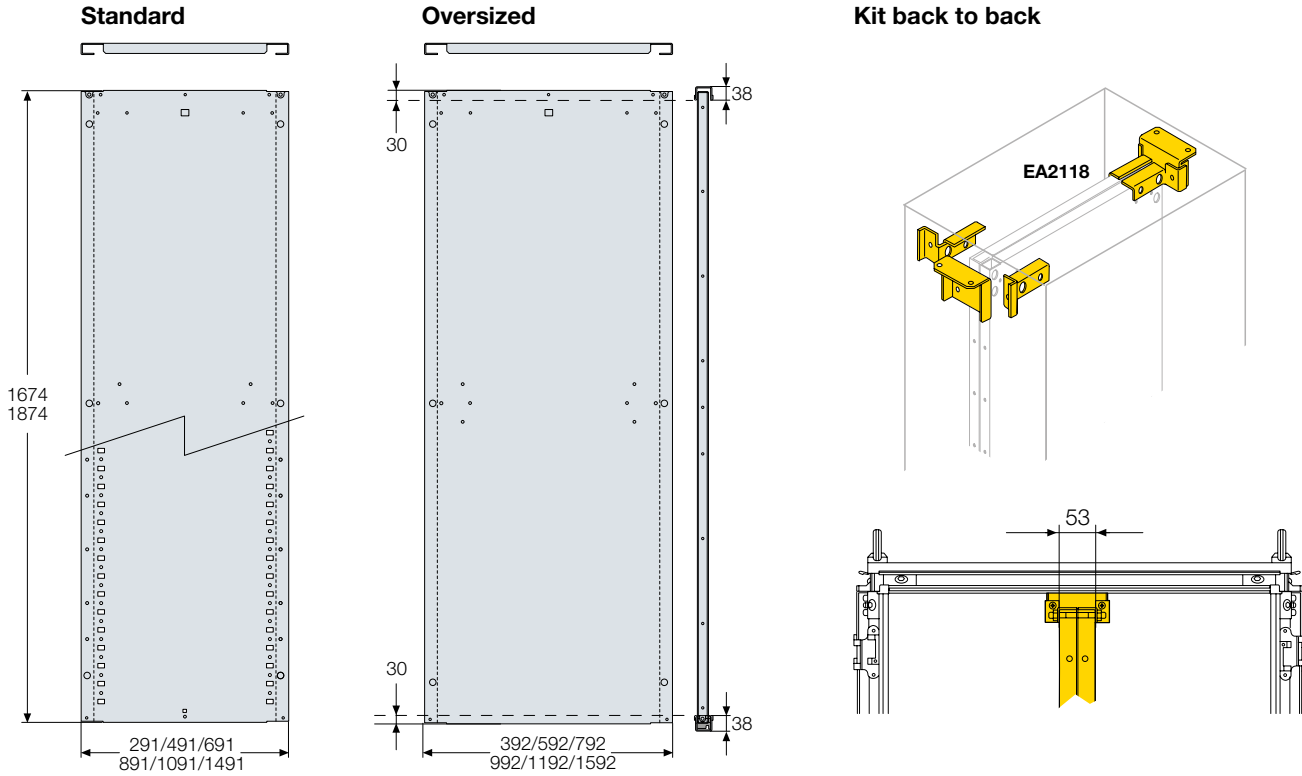
Instruments panels



> Measurements are in millimetres

Overall dimensions ISX cabinets

Back plates

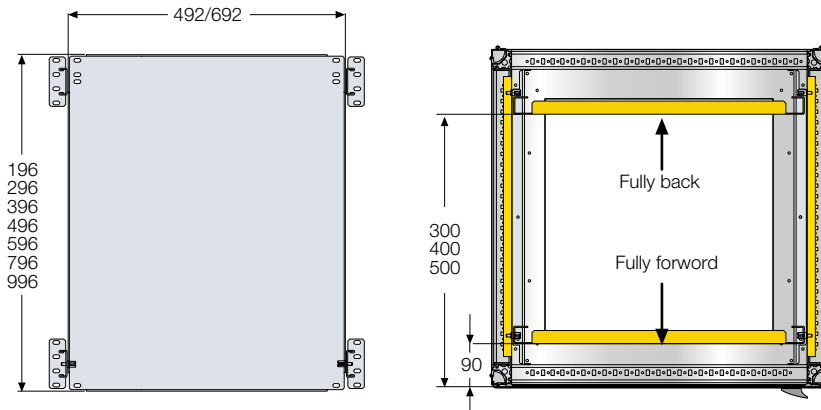


> Measurements are in millimetres

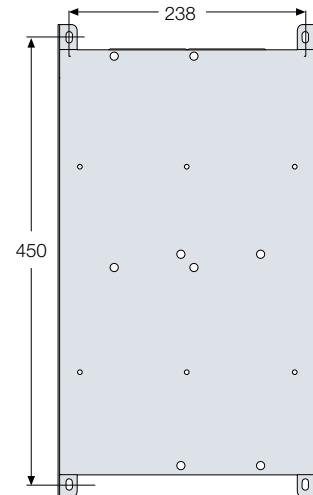
Back plates

Partial back plates

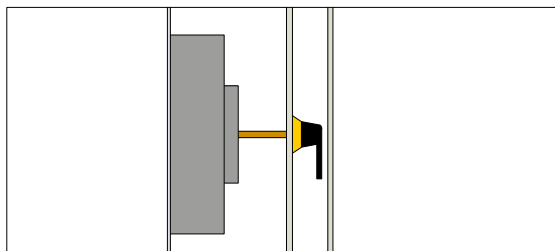
Do not require the depthwise upright



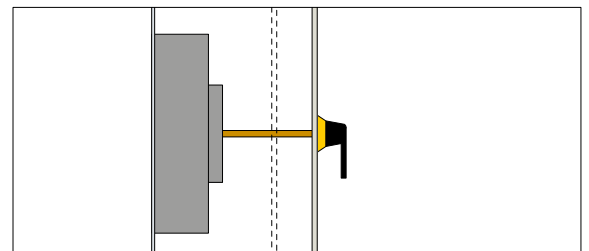
Back plates for condenser



Selection of partial back plate and panels according to the apparatus to be installed



Handle between panel and door



Handle transmitted onto the door

	Structures W=600mm			Structures W=800mm		
	Partial back plate	Panel	H (mm)	Partial back plate	Panel	H (mm)
Disconnecting switches						
OT200/250	EA2062	EH2062K	200	EA2081	EH2082K	200
OT315/400	EA3061	EH3063K	300	EA3081	EH3082K	300
OT630/800	EA4061	EH4062K	400	EA4081	EH4082K	400
Circuit breakers						
Tmax T1-T2-T3	EA2062	EH2063K ⁽¹⁾	200	EA2083 ⁽¹⁾	EH2083K	200
Tmax XT1-XT2-XT3-XT4	EA2062	EH2062K	200	EA2081	EH2082K	200
Tmax T4-T5	EA4061	EH4062K	400	EA4081	EH4082K	200
Tmax T6	EA5061	EH5062K	500	EA5081	EH5082K	500

Strutture L=600mm			Strutture L=800mm		
Piastra di fondo parziale	Pannello	H (mm)	Piastra di fondo parziale	Pannello	H (mm)
EH2065 ⁽²⁾	EH2062K	200	EH2085 ⁽²⁾	EH2082K	200
EA3061	EH3063K	300	EA3081	EH3082K	300
EA4061	EH4062K	400	EA4081	EH4082K	400
EH2065(2)	EH2062K	200	EH2085 ⁽²⁾	EH2082K	200
EA4061	EH4062K	400	EA4081	EH4082K	200
EA5061	EH5062K	500	EA5081	EH5082K	500

⁽¹⁾ Recessed opaque panel

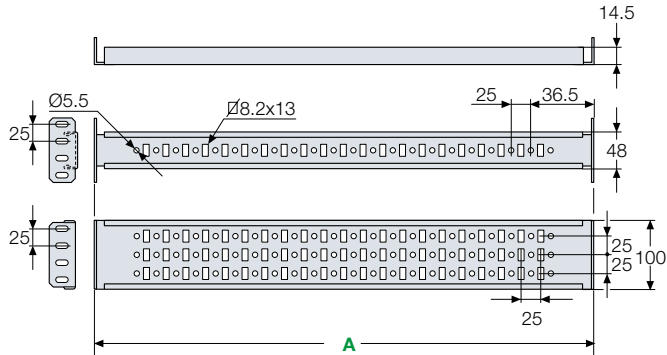
⁽²⁾ Opaque apparatus holder back plate

> Measurements are in millimetres

Overall dimensions ISX cabinets

Crosspieces and sections for accessories

Crosspieces for fixing accessories



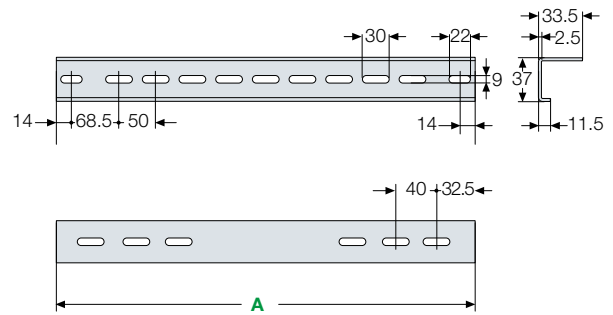
H=48mm

Code	A
EB0400	298
EB0500	398
EB0600	498
EB0800	698
EB1000	898
EB1200	1098

H=100mm

Code	A
EB0440	298
EB0550	398
EB0660	498
EB0880	698
EB1010	898
EB1012	1098

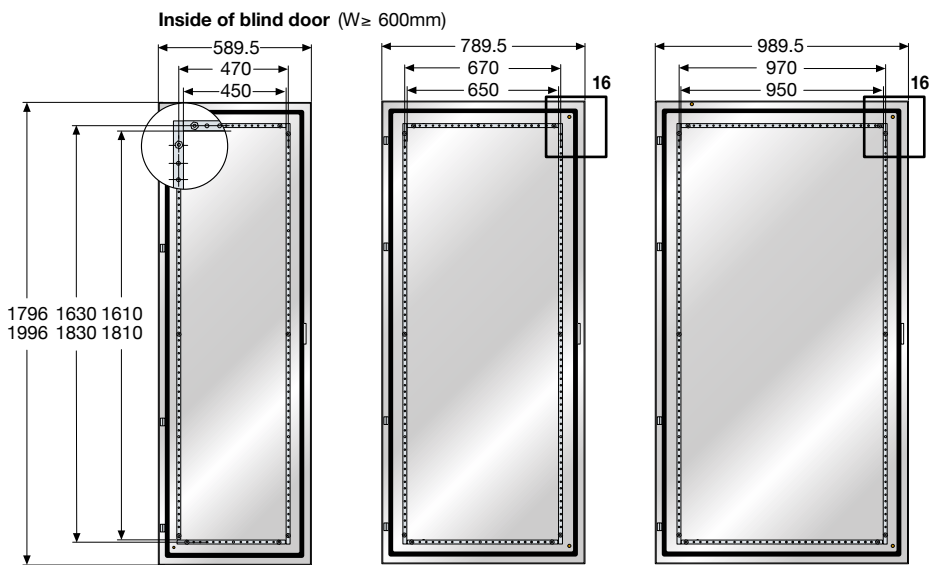
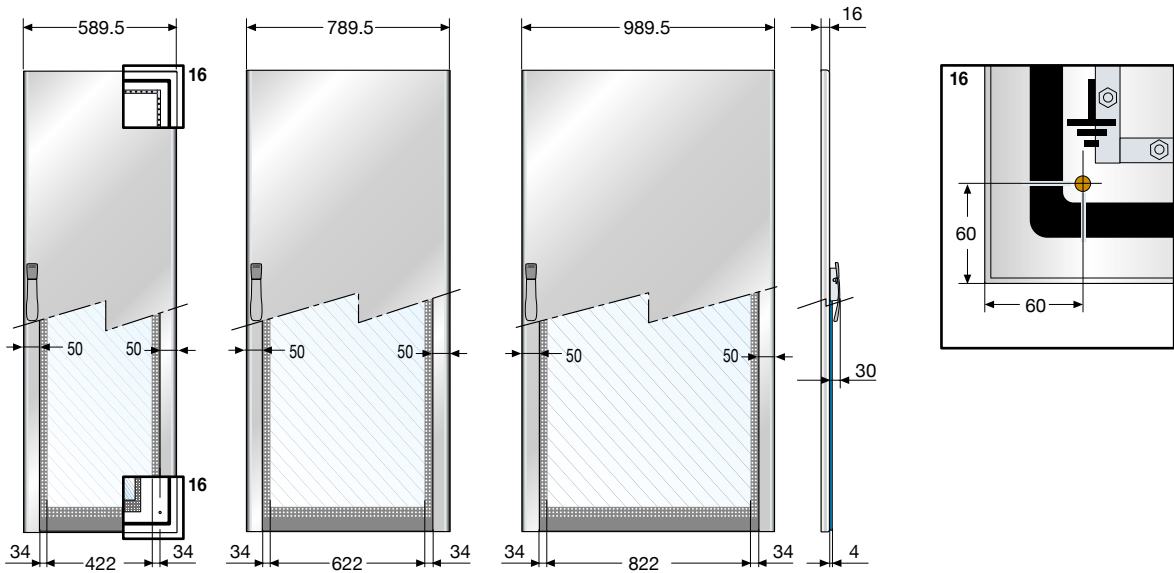
Section for accessories



Code	A
TS0060	565
TS0080	765
TS0100	965
TS0120	1165
TS0160	1565

> Measurements are in millimetres

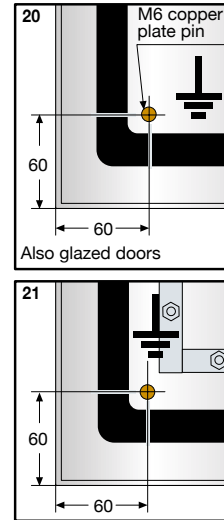
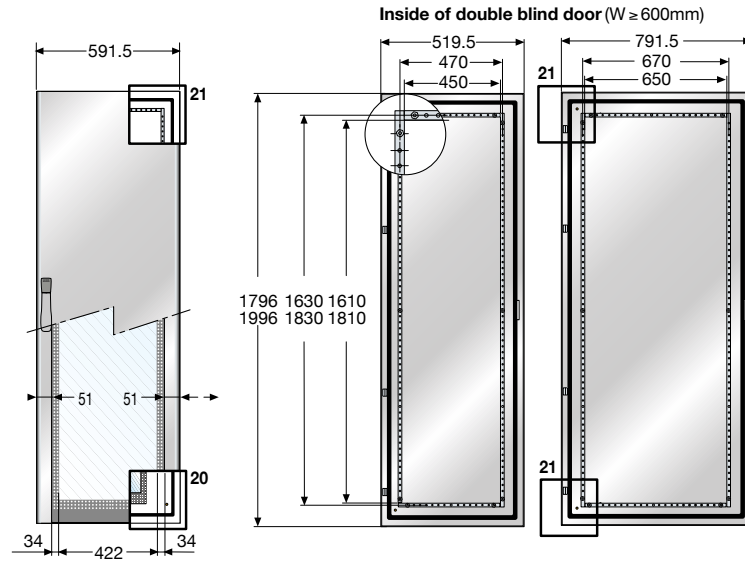
Front or rear doors



> Measurements are in millimetres

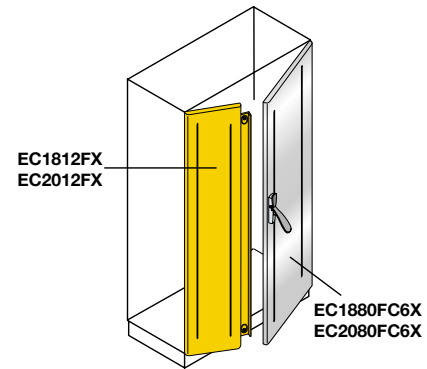
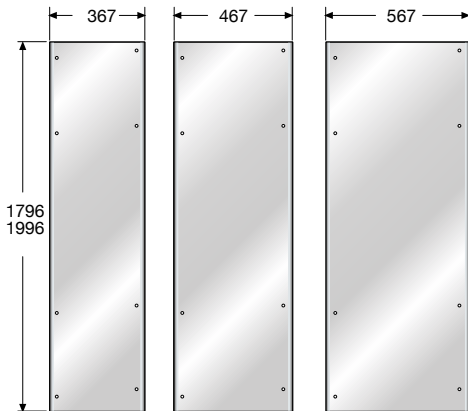
Overall dimensions ISX cabinets

Double front or rear doors



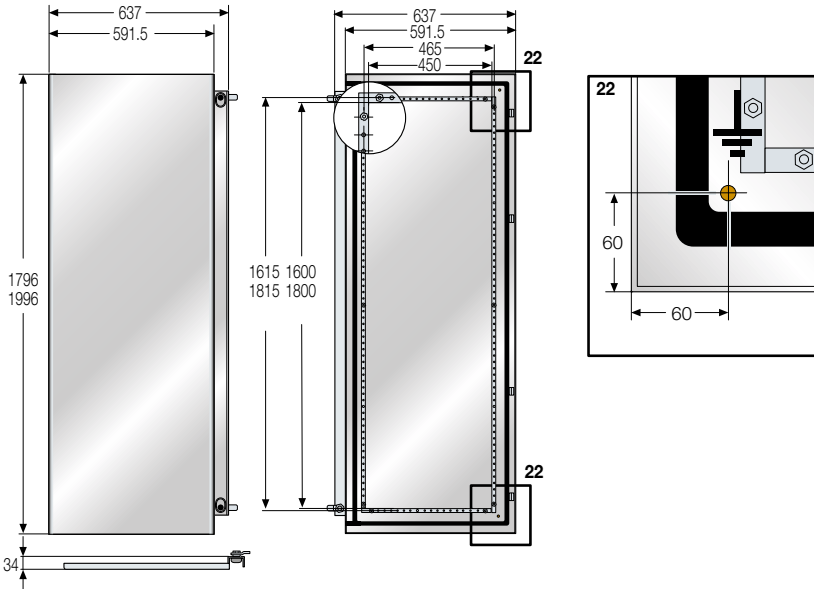
Example of use of double door
Mounting with blind doors with overlapping closure (without intermediate upright and crosspieces)

Side covers



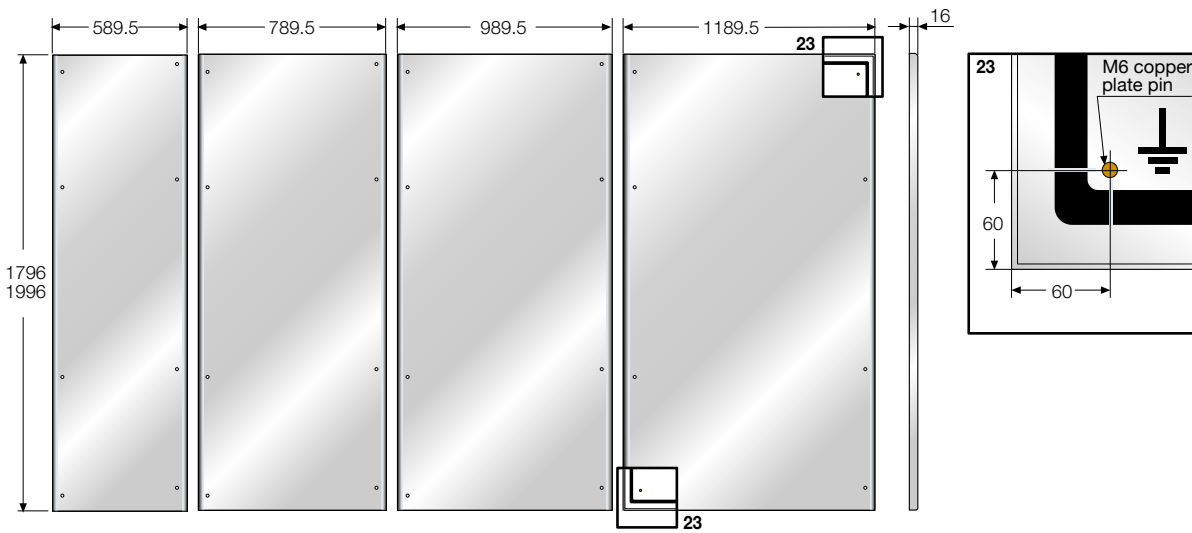
> Measurements are in millimetres

Opaque doors with overlap closing for double doors version



7

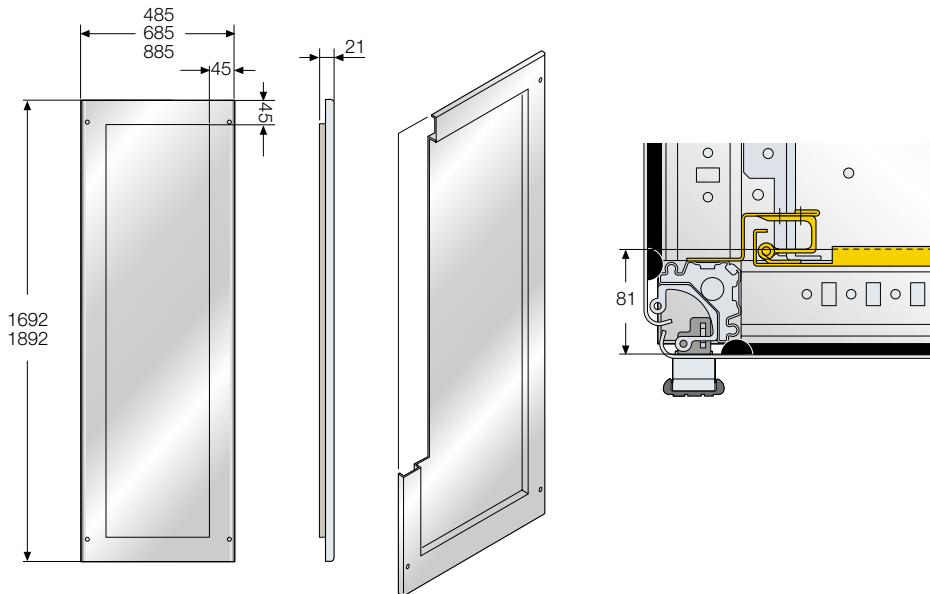
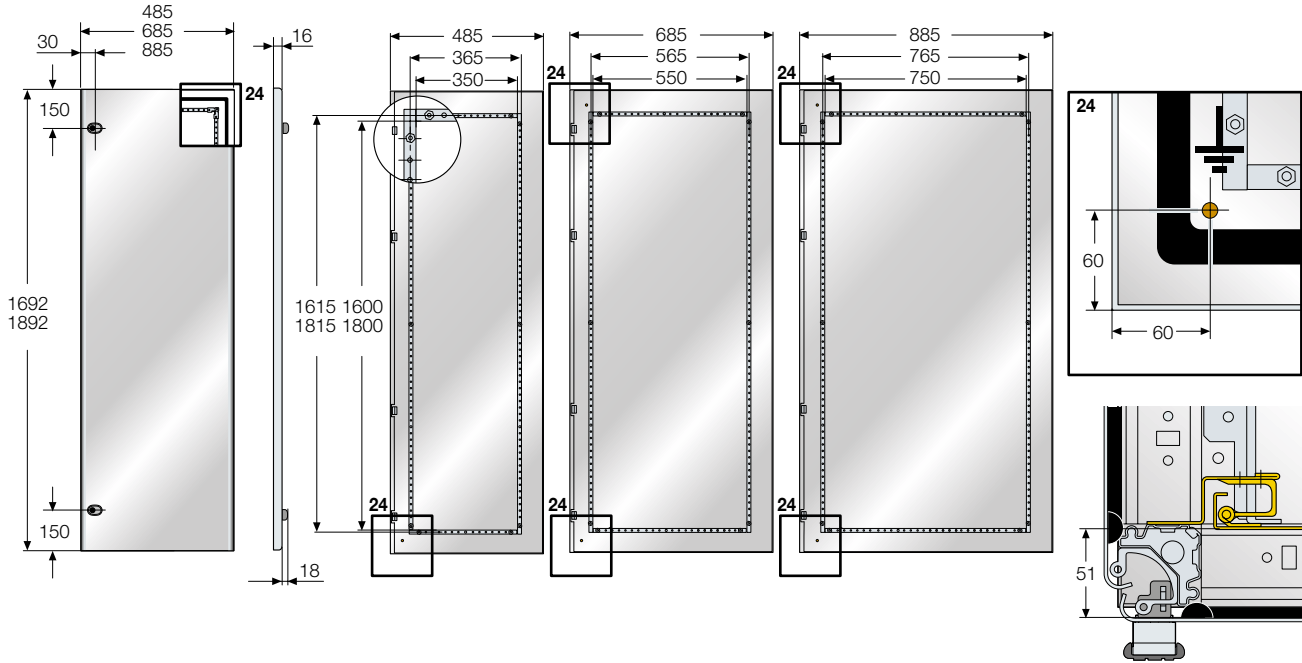
Rear panels



> Measurements are in millimetres

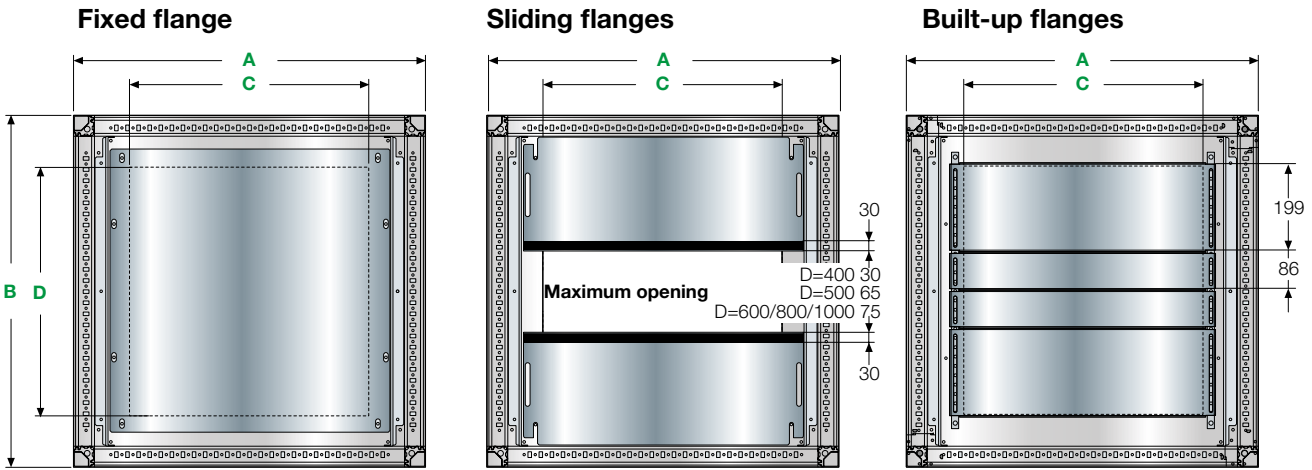
Overall dimensions ISX cabinets

Inner doors



> Measurements are in millimetres

Flanges for passage of cables



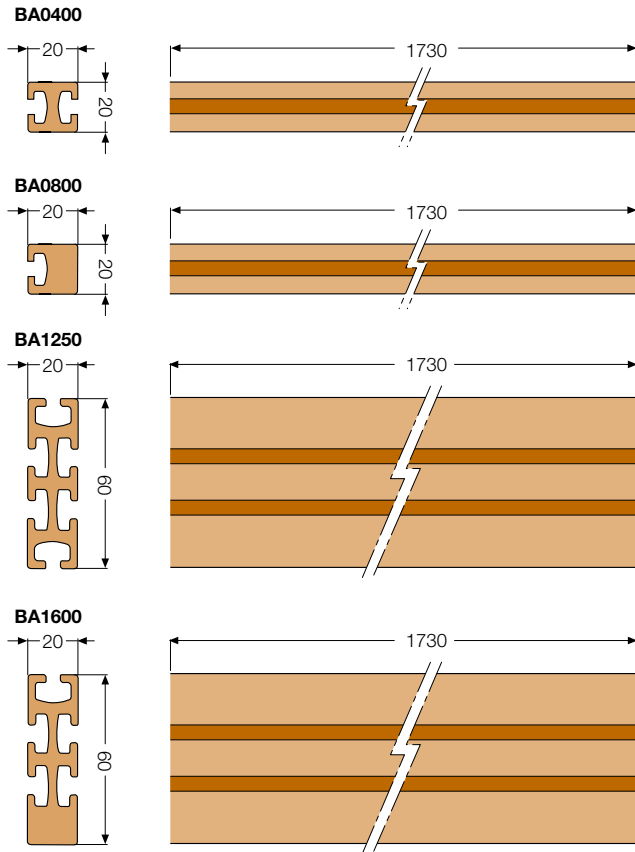
A	B	C	D	Modular flanges	
				No. of flanges H=199mm	No. of flanges H=86mm
594	394	342	162	-	2
	494		262	1	1
	594		362	1	2
794	394	542	162	-	2
	494		262	1	1
	594		362	1	2
994	394	742	162	-	2
	494		262	1	1
	594		362	1	2

> Measurements are in millimetres

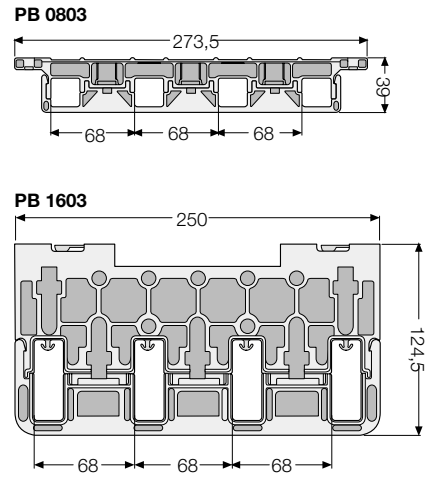
Overall dimensions ISX cabinets

Busbars with shaped section

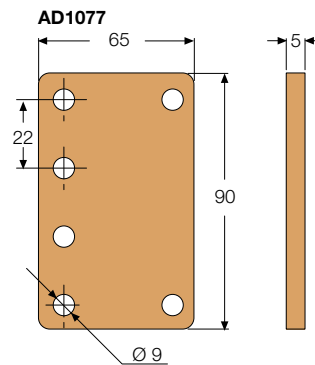
Busbar



Insulator



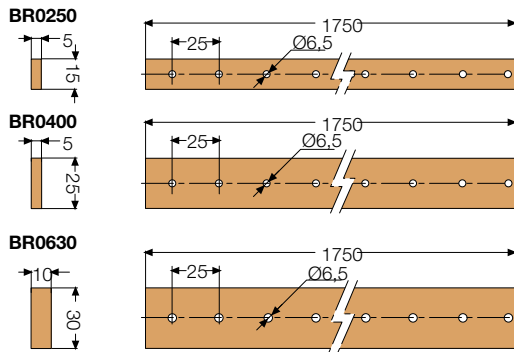
Accessories



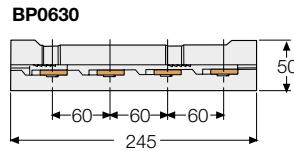
> Measurements are in millimetres

Flat busbars

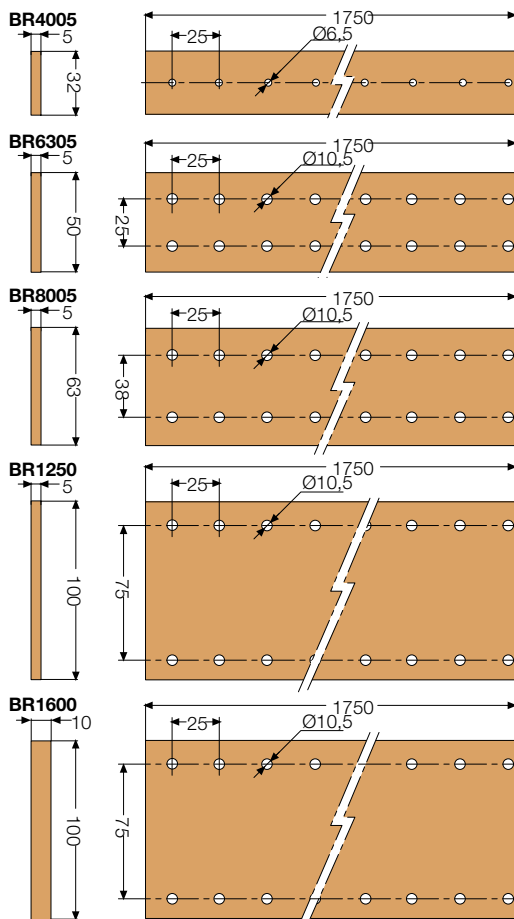
Busbar up to 630A



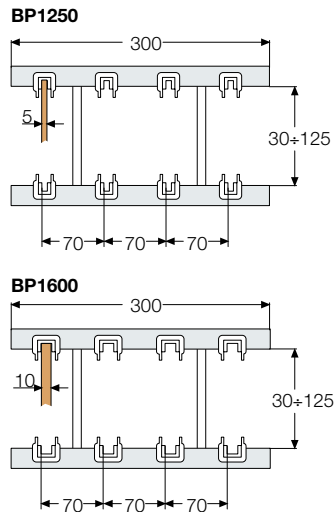
Insulators for busbars up to 630A



Busbar up to 1600A



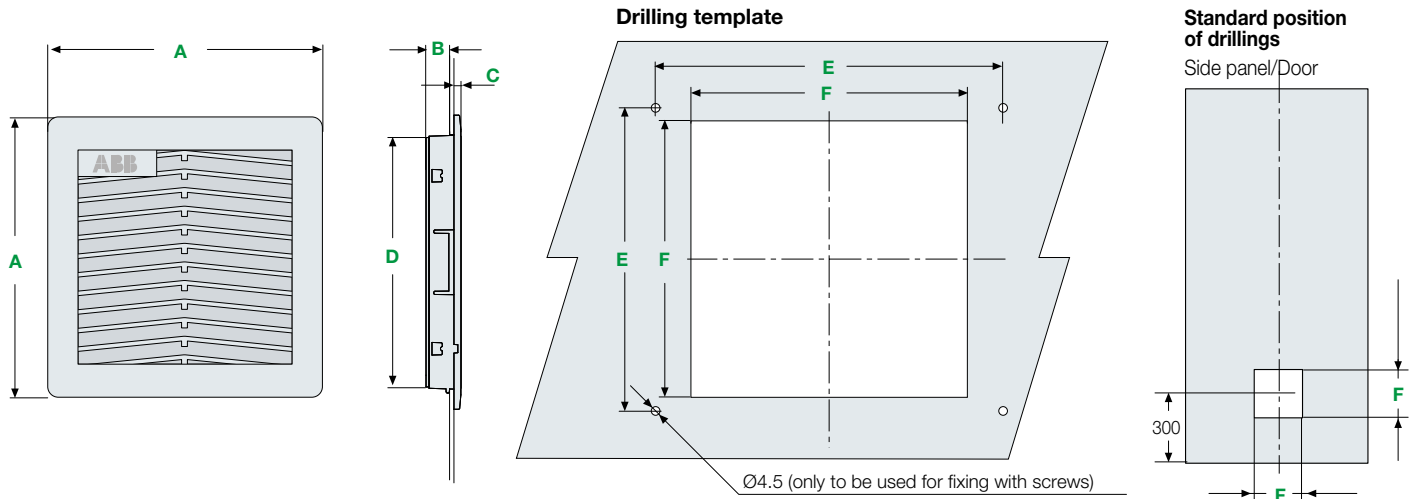
Insulators for busbars up to 1600A



Overall dimensions

Natural ventilation/forced ventilation/air conditioning

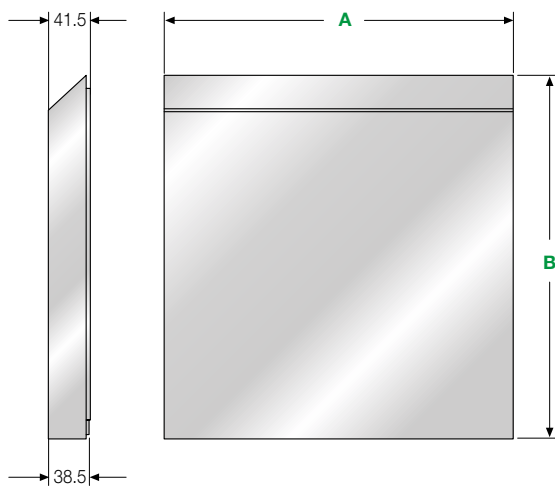
Natural ventilation kit



7

Code	A	B	C	D	E	F
EN0105K	105	60	7	80	95	92
EN0150K	150	64	7	124	131	125
EN0204K	204	90	8	127	185	177
EN0250K	250	113	8	172	230	223
EN0325K	325	24	9	255	302	291

Stainless steel hoods for ventilation kits

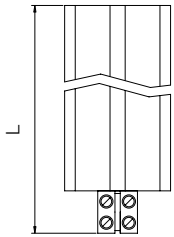
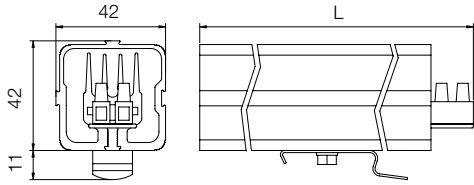


Code	A	B
EN0105X	156	161
EN0150X	190	195
EN0204X	241	246
EN0250X	288	293
EN0325X	356	361

> Measurements are in millimetres

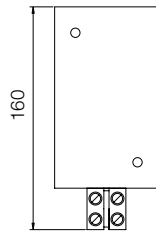
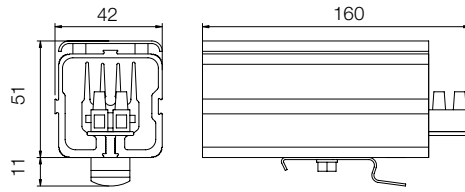
IP20 heaters

VA7930/VA7950/VA7975

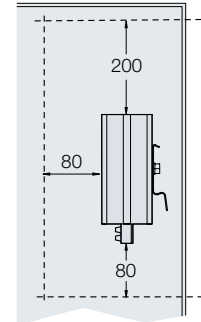


	L (mm)
VA7930	115
VA7950	165
VA7975	210

VA7910

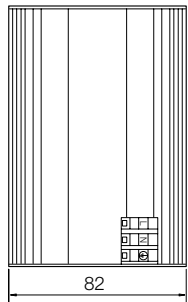
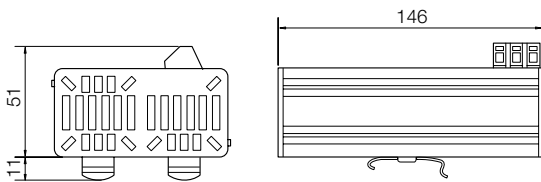


Minimum mounting distances

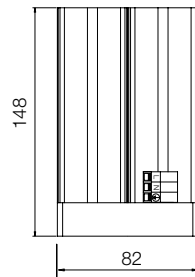
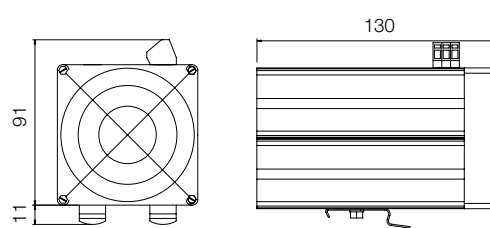


**VA7930
VA7950
VA7975**

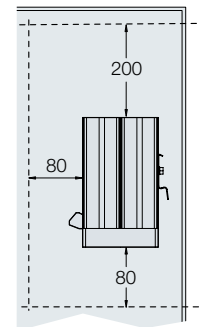
VA7915



VA8300



Minimum mounting distances



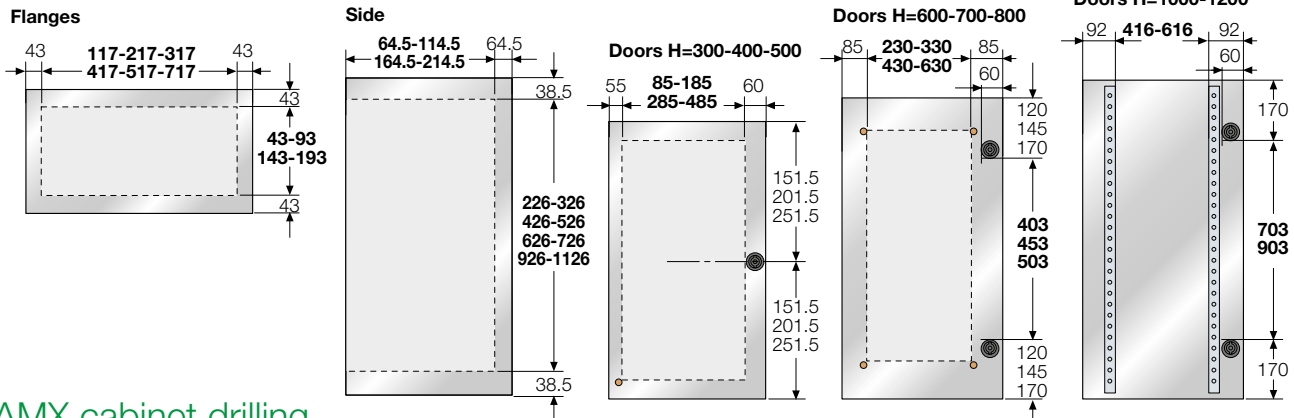
> Measurements are in millimetres

Overall dimensions

Drilling

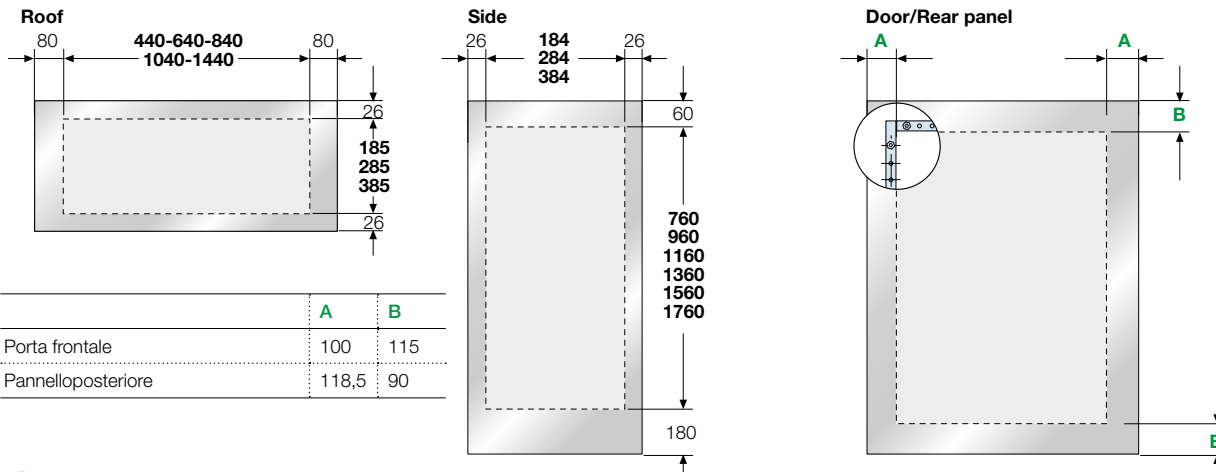
SRX enclosure drilling

Maximum working dimensions for drilling



AMX cabinet drilling

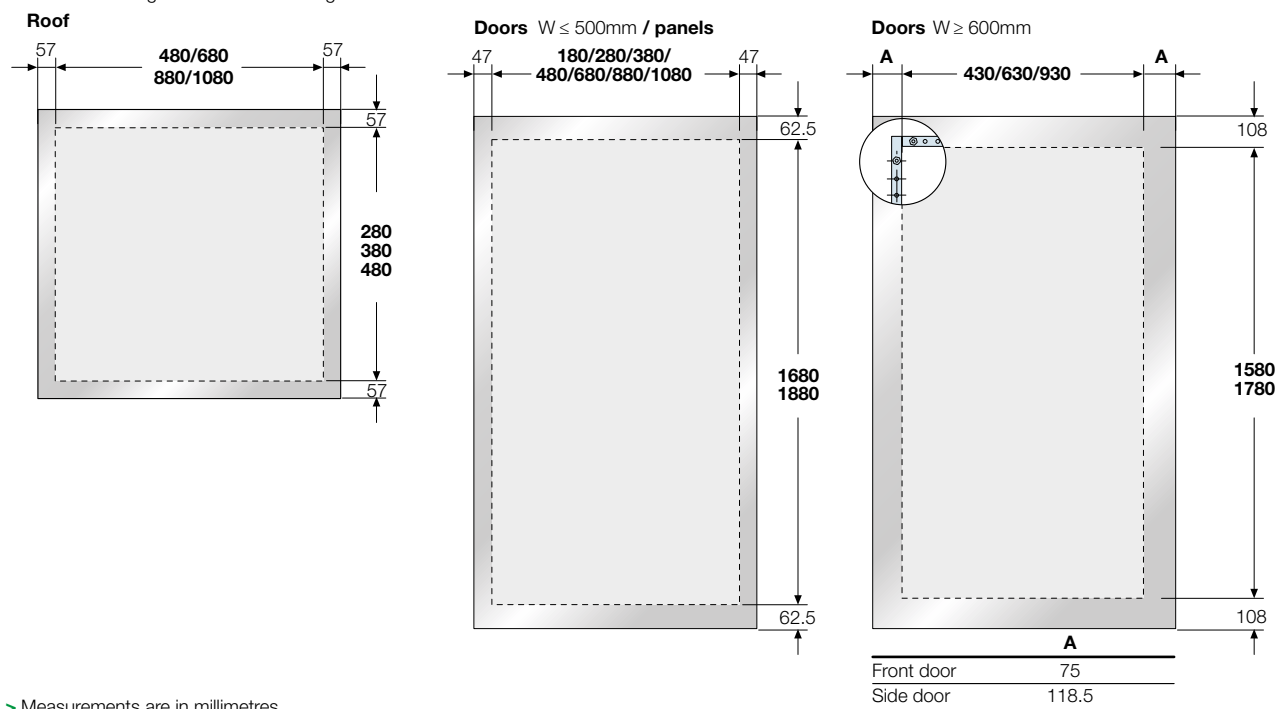
Maximum working dimensions for drilling



	A	B
Porta frontale	100	115
Pannello posteriore	118,5	90

ISX cabinet drilling

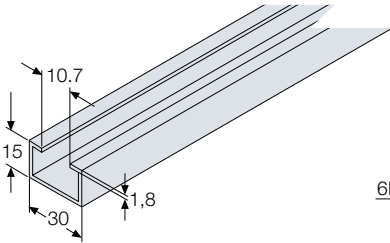
Maximum working dimensions for drilling



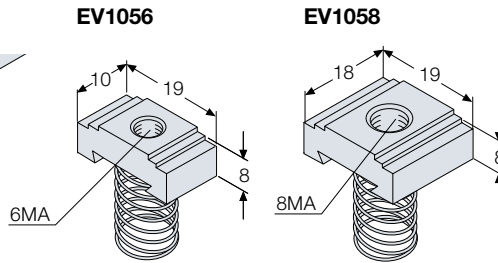
> Measurements are in millimetres

Accessories

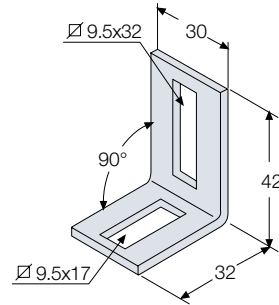
Aluminium section EV1050



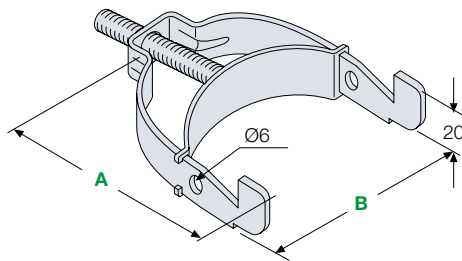
Aluminium nuts for EV1050



Angles for busbars EV105



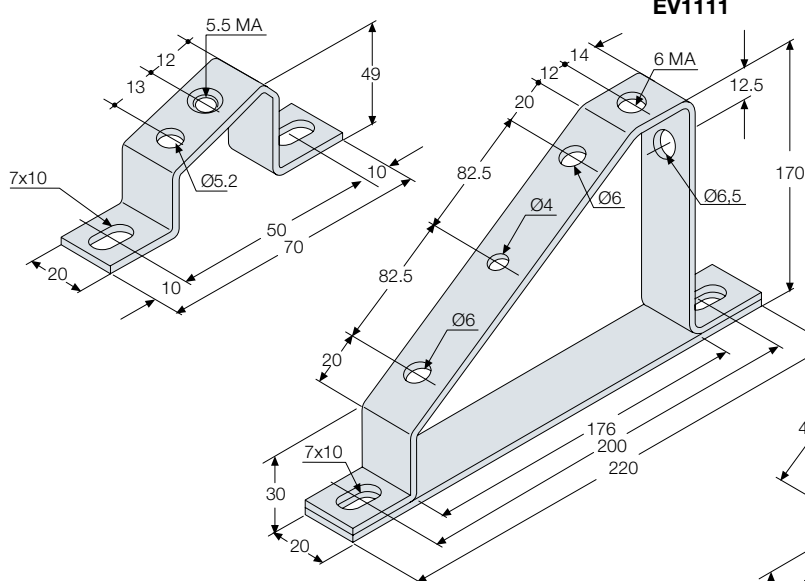
Brackets for cables EV1090 / EV1091



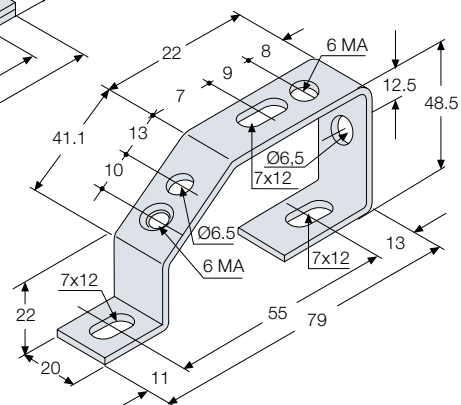
Code	A	B
EV1090	49	20
EV1091	65	36
EV1092	85	51
EV1093	105	80

Terminal box supports

EV1110-EV2110-EV1113



EV1112-EV2112



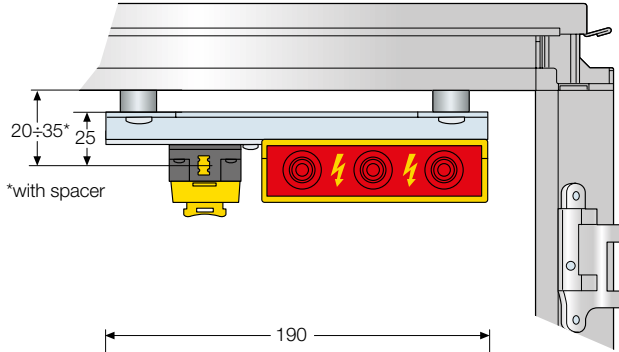
> Measurements are in millimetres

Overall dimensions

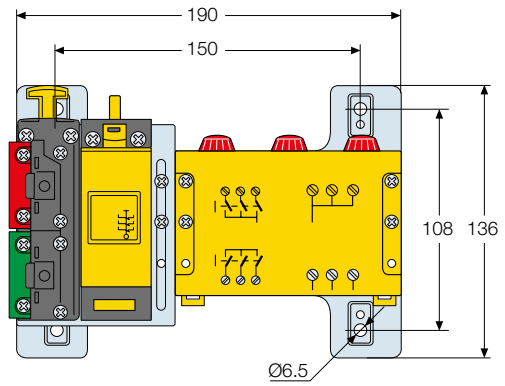
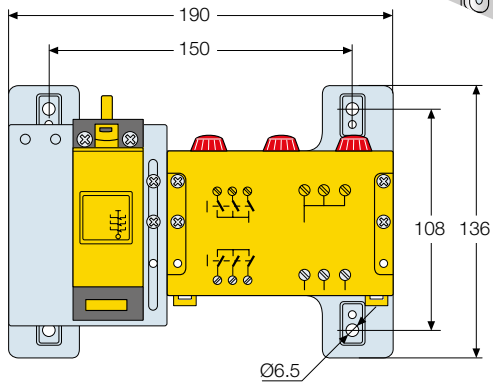
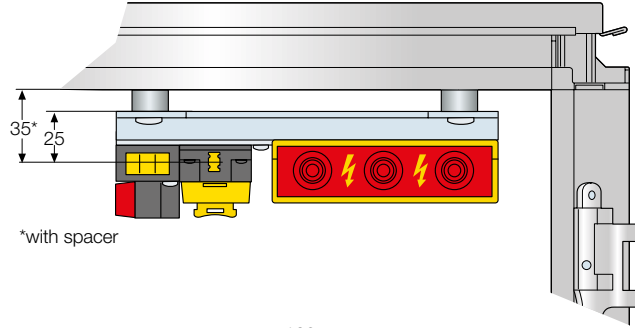
Accessories

Voltage indicator

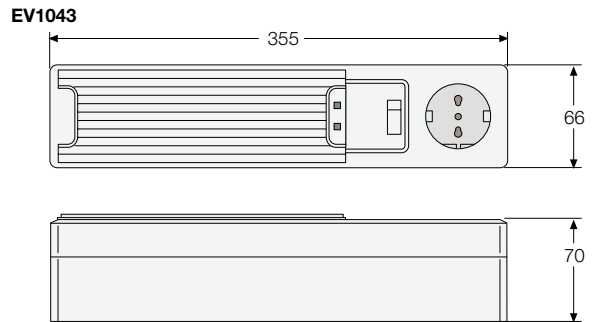
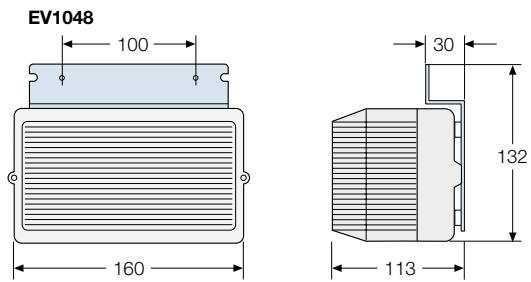
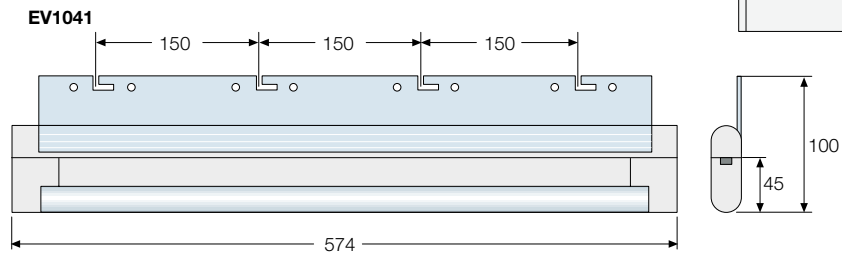
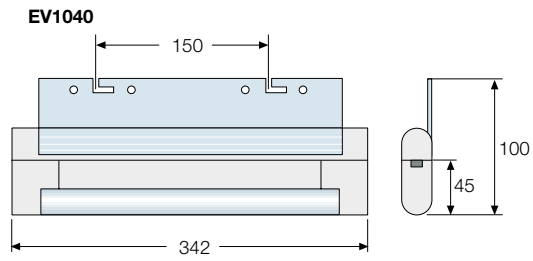
EV1147



EV1148



Fluorescent lights



Index of codes

Code	Structure	Page	Weight	Code	Structure	Page	Weight	Code	Structure	Page	Weight
AA1203X	SRX	2/13	0,01	AD1069	ISX	4/28	2,4	EA1612	AMX	3/10	36,472
AA1206X	SRX	2/9	0,2	AD1075	SRX-AMX-ISX	5/4	0,55	EA1616	AMX	3/10	18,668
AA1560	AMX	3/18	0,02	AD1076	SRX-AMX-ISX	5/4	0,25	EA1619	AMX	3/10	24,603
AA1560	ISX	4/30	0,02	AD1077	ISX	4/28	1,05	EA1800	ISX	4/13	7,17
AA1570	AMX	3/18	0,03	AD1080	SRX-AMX-ISX	5/4	0,25	EA1810	AMX	3/10	35,75
AA1570	ISX	4/30	0,03	AD1081	SRX-AMX-ISX	5/4	0,25	EA1810	ISX	4/13	35,75
AA5190	SRX	2/12	0,01	AD1086	SRX-AMX-ISX	5/2	3,51	EA1812	AMX	3/10	42,99
AA5190	AMX	3/18	0,01	AD1088	SRX-AMX-ISX	5/2	1,41	EA1812	ISX	4/13	42,99
AA5190	ISX	4/30	0,01	AD1089	SRX-AMX-ISX	5/2	2,08	EA1860	AMX	3/10	20,4
AA5200	AMX	3/18	0,01	AD1101	SRX-AMX-ISX	5/2	0,05	EA1860	ISX	4/13	20,4
AA5200	ISX	4/30	0,01	AD1102	SRX-AMX-ISX	5/2	0,02	EA1880	AMX	3/10	26
AA5200	SRX	2/12	0,01	AD1103	SRX-AMX-ISX	5/2	0,02	EA1880	ISX	4/13	26
AA6100	AMX	3/18	0,01	AD1104	SRX-AMX-ISX	5/2	0,02	EA1910	ISX	4/16	44,24
AA6100	ISX	4/30	0,01	AD1600	SRX-AMX-ISX	5/2	0,24	EA1912	ISX	4/16	52,4
AA6120	AMX	3/18	0,01	AD1800	SRX-AMX-ISX	5/2	0,36	EA1960	ISX	4/16	27,9
AA6120	ISX	4/30	0,01	AD3301	AMX	3/14	0,15	EA1981	ISX	4/16	35,34
AA6140	AMX	3/18	0,01	AD3301	ISX	4/21	0,15	EA2000	ISX	4/13	7,97
AA6140	ISX	4/30	0,01	AD3302	AMX	3/14	0,15	EA2010	AMX	3/10	39,72
AA6141	AMX	3/18	0,02	AD3302	ISX	4/21	0,15	EA2010	ISX	4/13	39,72
AA6141	ISX	4/30	0,02	AD3303	AMX	3/14	0,15	EA2013	AMX	3/10	47,77
AA6160	AMX	3/18	0,02	AD3303	ISX	4/21	0,15	EA2013	ISX	4/13	47,77
AA6160	ISX	4/30	0,02	AD3304	AMX	3/14	0,15	EA2060	AMX	3/10	22,6
AA6180	AMX	3/18	0,02	AD3304	ISX	4/21	0,15	EA2060	ISX	4/13	22,6
AA6180	ISX	4/30	0,02	AE1015	ISX	4/18	0,25	EA2062	AMX	3/11	2,97
AA6200	AMX	3/18	0,02	AP6000	AMX	3/13	0,01	EA2062	ISX	4/17	2,97
AA6200	ISX	4/30	0,02	AP6000	ISX	4/20	0,01	EA2080	AMX	3/10	30,2
AA6840	SRX-AMX-ISX	5/9	0,01	AP6001	SRX	2/12	0,18	EA2080	ISX	4/13	30,2
AA6850	SRX-AMX-ISX	5/9	0,01	BA0400	ISX	4/28	3,3	EA2081	AMX	3/11	3,96
AA6880	SRX-AMX-ISX	5/9	0,01	BA0800	ISX	4/28	4,5	EA2081	ISX	4/17	3,96
AA6890	SRX-AMX-ISX	5/9	0,01	BA1250	ISX	4/28	9,16	EA2100	ISX	4/13	1,06
AA8001X	AMX	3/18	0,01	BA1600	ISX	4/28	10,72	EA2101	ISX	4/17	0,28
AA8001X	ISX	4/30	0,01	BF1602	ISX	4/29	2,7	EA2110	ISX	4/16	48,17
AA8001X	SRX	2/12	0,01	BF2502	ISX	4/29	4,2	EA2112	ISX	4/16	57,06
AA8002	AMX	3/18	0,01	BF4002	ISX	4/29	3	EA2113	ISX	4/16	0,15
AA8002	ISX	4/30	0,01	BF4012	ISX	4/29	6,5	EA2115	ISX	4/14	0,13
AA8002	SRX	2/12	0,01	BF6302	ISX	4/29	12,5	EA2117	ISX	4/14	0,48
AA8003	AMX	3/18	0,01	BF8002	ISX	4/29	19,1	EA2118	ISX	4/15	0,48
AA8003	ISX	4/30	0,01	BP0630	ISX	4/29	0,4	EA2161	ISX	4/16	31
AA8003	SRX	2/12	0,01	BP0632	ISX	4/29	0,55	EA2180	ISX	4/16	39,26
AA8004	AMX	3/18	0,01	BP1250	ISX	4/29	2,8	EA3061	AMX	3/11	4,46
AA8004	ISX	4/30	0,01	BP1600	ISX	4/29	2,6	EA3061	ISX	4/17	4,46
AA8025	SRX	2/8	0,01	BR0250	ISX	4/29	1,3	EA3081	AMX	3/11	5,94
AA8050	SRX	2/8	0,01	BR0400	ISX	4/29	2,8	EA3081	ISX	4/17	5,94
AA9610	ISX	4/27	0,67	BR0630	ISX	4/29	6,2	EA4061	AMX	3/11	5,94
AD1004	SRX-AMX-ISX	5/4	0,55	BR1250	ISX	4/29	14,5	EA4061	ISX	4/17	5,94
AD1006	SRX-AMX-ISX	5/4	0,55	BR1600	ISX	4/29	29	EA4081	AMX	3/11	7,92
AD1007	SRX-AMX-ISX	5/4	0,25	BR4005	ISX	4/29	4,4	EA4081	ISX	4/17	7,92
AD1009	AMX	3/13	0,086	BR6305	ISX	4/29	6,5	EA5011	AMX	3/11	31,112
AD1009	ISX	4/20	0,086	BR8005	ISX	4/29	8,6	EA5011	ISX	4/15	31,112
AD1027	SRX-AMX-ISX	5/4	0,25	EA0018	AMX	3/11	2,478	EA5022	AMX	3/11	-
AD1028	SRX-AMX-ISX	5/4	0,5	EA0018	ISX	4/15	2,478	EA5022	ISX	4/15	-
AD1029	SRX-AMX-ISX	5/4	0,55	EA0020	AMX	3/11	2,784	EA5061	AMX	3/11	7,43
AD1030	SRX-AMX-ISX	5/4	0,438	EA0020	ISX	4/15	2,784	EA5061	ISX	4/17	7,43
AD1031	SRX-AMX-ISX	5/4	1,25	EA0600	ISX	4/14	2,6	EA5063	AMX	3/11	19,284
AD1033	SRX-AMX-ISX	5/3	0,22	EA0802	ISX	4/14	3,39	EA5063	ISX	4/15	19,284
AD1036	SRX-AMX-ISX	5/3	0,2	EA1000	ISX	4/14	4,2	EA5081	AMX	3/11	9,92
AD1037	AMX	3/13	0,352	EA1002	ISX	4/16	2,82	EA5081	ISX	4/17	9,92
AD1037	ISX	4/20	0,352	EA1003	ISX	4/14	2,53	EA5083	AMX	3/11	25,987
AD1056	ISX	4/28	0,3	EA1061	AMX	3/11	14,855	EA5083	ISX	4/15	25,987
AD1058	AMX	3/18	0,01	EA1061	ISX	4/17	14,855	EA5100	AMX	3/10	1,06
AD1058	ISX	4/30	0,01	EA1081	AMX	3/11	20,792	EA5616	AMX	3/11	15,458
AD1064	ISX	4/28	0,26	EA1081	ISX	4/17	20,792	EA5620	AMX	3/11	20,612
AD1065	ISX	4/28	0,2	EA1200	ISX	4/14	4,99	EA5811	AMX	3/11	28,567
AD1066	ISX	4/28	0,2	EA1202	ISX	4/16	3,41	EA5811	ISX	4/15	28,567
AD1067	ISX	4/28	0,2	EA1203	ISX	4/14	3,12	EA5822	AMX	3/11	34280
AD1068	ISX	4/28	1,07	EA1610	AMX	3/10	30,537	EA5822	ISX	4/15	34280

Code	Structure	Page	Weight
EA5861	AMX	3/11	17,355
EA5861	ISX	4/15	17,355
EA5883	AMX	3/11	23,187
EA5883	ISX	4/15	23,187
EA6002	ISX	4/16	1,67
EA6003	ISX	4/14	1,39
EA6061	AMX	3/11	8,91
EA6061	ISX	4/17	8,91
EA6081	AMX	3/11	11,88
EA6081	ISX	4/17	11,88
EA8002	ISX	4/16	2,27
EA8003	ISX	4/14	1,96
EA8061	AMX	3/11	11,88
EA8061	ISX	4/17	11,88
EA8081	AMX	3/11	15,84
EA8081	ISX	4/17	15,84
EB0400	ISX	4/19	1,47
EB0440	ISX	4/19	1,57
EB0500	ISX	4/19	1,89
EB0550	ISX	4/19	2,07
EB0600	AMX	3/12	1,41
EB0600	ISX	4/19	1,41
EB0660	AMX	3/12	2,044
EB0660	ISX	4/19	2,044
EB0800	AMX	3/12	1,912
EB0800	ISX	4/19	1,912
EB0880	AMX	3/12	2,744
EB0880	ISX	4/19	2,744
EB1000	AMX	3/12	4,03
EB1000	ISX	4/19	4,03
EB1010	AMX	3/12	4,25
EB1010	ISX	4/19	4,25
EB1020	AMX	3/12	2,63
EB1020	ISX	4/19	2,63
EB1041	AMX	3/17	0,54
EB1041	ISX	4/27	0,54
EB1042	AMX	3/17	0,86
EB1042	ISX	4/27	0,86
EB1043	AMX	3/17	1,21
EB1043	ISX	4/27	1,21
EB1200	AMX	3/12	4,86
EB1200	ISX	4/19	4,86
EB4100	ISX	4/20	1,72
EB4101	ISX	4/17	1,94
EB5100	ISX	4/20	2,16
EB5101	ISX	4/17	2,58
EB6100	ISX	4/20	2,86
EB6101	ISX	4/17	3,87
EB6102	ISX	4/20	3,89
EB6104	ISX	4/24	3,66
EB6106	ISX	4/24	3,02
EC1810X	ISX	4/31	31,79
EC1860X	ISX	4/31	19,22
EC1880FC6X	ISX	4/31	19,22
EC1880X	ISX	4/31	25,51
EC2012X	ISX	4/31	35,29
EC2060X	ISX	4/31	21,33
EC2080FC6X	ISX	4/31	21,33
EC2080X	ISX	4/31	28,31
ED1812SX	ISX	4/31	19,22
ED2012SX	ISX	4/31	21,35
EE0024	ISX	4/23	1,32
EE0640	ISX	4/26	4,32
EE0650	ISX	4/26	5,22
EE0660	ISX	4/26	6,03
EE0840	ISX	4/26	5,61

Code	Structure	Page	Weight
EE0850	ISX	4/26	6,68
EE0860	ISX	4/26	7,75
EE1003K	ISX	4/26	5,32
EE1004K	ISX	4/26	6,52
EE1040	ISX	4/26	7,53
EE1041	ISX	4/26	5,13
EE1050	ISX	4/26	9,48
EE1051	ISX	4/26	6,32
EE1060	ISX	4/26	11,09
EE1061	ISX	4/26	7,51
EE1810X	ISX	4/10	26,55
EE1841	ISX	4/25	6,31
EE1851	ISX	4/25	8,14
EE1852	ISX	4/23	13,2
EE1860X	ISX	4/10	17,61
EE1861	ISX	4/25	9,98
EE1862	ISX	4/23	15,84
EE1880X	ISX	4/10	22,08
EE1906X	ISX	4/10	17,61
EE1908X	ISX	4/10	22,08
EE1910X	ISX	4/10	26,55
EE2010X	ISX	4/10	29,5
EE2041	ISX	4/25	7,03
EE2051	ISX	4/25	9,07
EE2052	ISX	4/23	14,75
EE2060X	ISX	4/10	19,57
EE2061	ISX	4/25	11,11
EE2062	ISX	4/23	17,7
EE2080X	ISX	4/10	24,54
EE2100	ISX	4/26	5,52
EE2106X	ISX	4/10	19,57
EE2108X	ISX	4/10	24,54
EE2110X	ISX	4/10	29,5
EE2406	ISX	4/23	0,62
EE2410	ISX	4/23	0,62
EE2416	ISX	4/23	0,62
EE2600	ISX	4/26	3,2
EE2800	ISX	4/26	4,39
EE6041	ISX	4/26	3,18
EE6051	ISX	4/26	3,9
EE6061	ISX	4/26	4,62
EE8041	ISX	4/26	4,15
EE8051	ISX	4/26	5,11
EE8061	ISX	4/26	6,07
EF1040X	AMX	3/9	3,1
EF1044X	AMX	3/9	-
EF1045X	AMX	3/9	-
EF1051X	ISX	4/11	3,58
EF1052X	ISX	4/11	4,79
EF1053X	AMX	3/9	4,51
EF1053X	ISX	4/11	4,51
EF1054X	AMX	3/9	-
EF1055X	AMX	3/9	-
EF1060X	ISX	4/11	5,92
EF1061X	ISX	4/11	4,81
EF1062X	ISX	4/11	6,2
EF6040X	AMX	3/9	1,61
EF6040X	ISX	4/11	1,61
EF6041X	ISX	4/11	1,33
EF6043X	ISX	4/11	1,76
EF6044X	AMX	3/9	-
EF6045X	AMX	3/9	-
EF6050X	AMX	3/9	2,35
EF6050X	ISX	4/11	2,35
EF6051X	ISX	4/11	1,93
EF6052X	ISX	4/11	2,49

Code	Structure	Page	Weight
EF6054X	AMX	3/9	-
EF6055X	AMX	3/9	-
EF6060X	ISX	4/11	3,08
EF6061X	ISX	4/11	2,58
EF6062X	ISX	4/11	3,22
EF8040X	AMX	3/9	2,36
EF8040X	ISX	4/11	2,36
EF8041X	ISX	4/11	1,92
EF8042X	ISX	4/11	2,57
EF8044X	AMX	3/9	-
EF8045X	AMX	3/9	-
EF8050X	AMX	3/9	3,43
EF8050X	ISX	4/11	3,43
EF8051X	ISX	4/11	2,76
EF8052X	ISX	4/11	3,64
EF8054X	AMX	3/9	-
EF8055X	AMX	3/9	-
EF8060X	ISX	4/11	4,5
EF8061X	ISX	4/11	3,71
EF8062X	ISX	4/11	4,71
EG0500K	ISX	4/24	4
EG0900K	ISX	4/24	4,8
EG1300K	ISX	4/24	6,93
EG1800	ISX	4/24	3,38
EG1801K	ISX	4/24	13,59
EG1803K	ISX	4/24	22,19
EG1805	ISX	4/24	7,38
EG1880	ISX	4/24	9,5
EG1902	AMX	3/16	0,42
EG1902	ISX	4/25	0,42
EG1903	AMX	3/16	0,62
EG1903	ISX	4/25	0,62
EG1904	AMX	3/16	0,83
EG1904	ISX	4/25	0,83
EG1905	AMX	3/16	1,04
EG1905	ISX	4/25	1,04
EG1906	AMX	3/16	1,25
EG1906	ISX	4/25	1,25
EG1907	AMX	3/16	1,46
EG1907	ISX	4/25	1,46
EG1908	AMX	3/16	1,67
EG1908	ISX	4/25	1,67
EG1909	AMX	3/16	1,87
EG1909	ISX	4/25	1,87
EG1910	AMX	3/16	2,08
EG1910	ISX	4/25	2,08
EG1911	AMX	3/16	2,29
EG1911	ISX	4/25	2,29
EG1912	AMX	3/16	2,5
EG1912	ISX	4/25	2,5
EG1913	AMX	3/16	2,71
EG1913	ISX	4/25	2,71
EG1914	AMX	3/16	2,91
EG1914	ISX	4/25	2,91
EG1915	AMX	3/16	3,12
EG1915	ISX	4/25	3,12
EG1916	AMX	3/16	3,33
EG1916	ISX	4/25	3,33
EG1917	AMX	3/16	3,54
EG1917	ISX	4/25	3,54
EG1918	AMX	3/16	3,75
EG1918	ISX	4/25	3,75
EG1920	AMX	3/16	4,16
EG1920	ISX	4/25	4,16
EG1991	AMX	3/16	0,21
EG1991	ISX	4/25	0,21

Index of codes

Code	Structure	Page	Weight	Code	Structure	Page	Weight	Code	Structure	Page	Weight
EG1999	AMX	3/16	3,96	EH3018X	ISX	4/21	1,66	EN0101K	SRX-AMX-ISX	5/3	0,08
EG1999	ISX	4/25	3,96	EH3029X	AMX	3/14	2,22	EN0102K	SRX-AMX-ISX	5/3	0,08
EG2000	ISX	4/24	3,76	EH3029X	ISX	4/21	2,22	EN0105K	SRX-AMX-ISX	5/10	0,09
EG2001K	ISX	4/24	15,1	EH3063X	AMX	3/14	1,66	EN0105X	SRX-AMX-ISX	5/10	0,09
EG2003K	ISX	4/24	24,65	EH3063X	ISX	4/21	1,66	EN0150K	SRX-AMX-ISX	5/10	0,18
EG2005	ISX	4/24	8,12	EH3064X	AMX	3/15	2,49	EN0150X	SRX-AMX-ISX	5/10	0,18
EG2080	ISX	4/24	10,62	EH3064X	ISX	4/22	2,49	EN0204K	SRX-AMX-ISX	5/10	0,3
EH0018	AMX	3/13	0,85	EH3065	AMX	3/15	5,06	EN0204X	SRX-AMX-ISX	5/10	0,3
EH0018	ISX	4/20	0,85	EH3065	ISX	4/22	5,06	EN0250K	SRX-AMX-ISX	5/10	0,52
EH0024	AMX	3/13	0,77	EH3082X	AMX	3/14	2,31	EN0250X	SRX-AMX-ISX	5/10	0,52
EH0024	ISX	4/20	0,77	EH3082X	ISX	4/21	2,31	EN0325K	SRX-AMX-ISX	5/10	1
EH0029	AMX	3/13	1,23	EH3083X	AMX	3/15	3,32	EN0325X	SRX-AMX-ISX	5/10	-
EH0029	ISX	4/20	1,23	EH3083X	ISX	4/22	3,32	EN0480K	SRX-AMX-ISX	5/11	5,41
EH0036	AMX	3/13	0,968	EH3085	AMX	3/15	6,74	EN0481K	SRX-AMX-ISX	5/10	3,64
EH0036	ISX	4/20	0,968	EH3085	ISX	4/22	6,74	EN0482K	SRX-AMX-ISX	5/11	5,41
EH0562X	AMX	3/14	0,37	EH3272X	AMX	3/15	1,63	EN0483K	SRX-AMX-ISX	5/11	0,9
EH0562X	ISX	4/21	0,37	EH3272X	ISX	4/22	1,63	EN0484K	SRX-AMX-ISX	5/11	2,2
EH0582X	AMX	3/14	0,54	EH3296X	AMX	3/15	1,63	EN0485K	SRX-AMX-ISX	5/11	2,2
EH0582X	ISX	4/21	0,54	EH3296X	ISX	4/22	1,63	EN1105K	SRX-AMX-ISX	5/11	0,43
EH1062X	AMX	3/14	0,63	EH3472X	AMX	3/15	1,63	EN1150K	SRX-AMX-ISX	5/11	0,88
EH1062X	ISX	4/21	0,63	EH3472X	ISX	4/22	1,63	EN1204K	SRX-AMX-ISX	5/11	1,02
EH1082X	AMX	3/14	0,87	EH3496X	AMX	3/15	1,63	EN1250K	SRX-AMX-ISX	5/11	1,65
EH1082X	ISX	4/21	0,87	EH3496X	ISX	4/22	1,63	EN2105K	SRX-AMX-ISX	5/11	0,43
EH1518X	AMX	3/14	0,89	EH4062X	AMX	3/14	2,18	EN2150K	SRX-AMX-ISX	5/11	0,88
EH1518X	ISX	4/21	0,89	EH4062X	ISX	4/21	2,18	EN2204K	SRX-AMX-ISX	5/11	1,02
EH1524X	AMX	3/14	0,89	EH4064X	AMX	3/15	3,32	EN2250K	SRX-AMX-ISX	5/11	1,65
EH1524X	ISX	4/21	0,89	EH4064X	ISX	4/22	3,32	EN2325K	SRX-AMX-ISX	5/11	3,7
EH1529X	AMX	3/14	1,23	EH4065	AMX	3/15	6,74	EN3325K	SRX-AMX-ISX	5/11	3,7
EH1529X	ISX	4/21	1,23	EH4065	ISX	4/22	6,74	EP1811X	ISX	4/31	-
EH1536X	AMX	3/14	1,23	EH4082X	AMX	3/14	3,04	EP1812X	ISX	4/31	-
EH1536X	ISX	4/21	1,23	EH4082X	ISX	4/21	3,04	EP1860X	ISX	4/31	-
EH1562X	AMX	3/14	0,89	EH4083X	AMX	3/15	4,42	EP1880X	ISX	4/31	-
EH1562X	ISX	4/21	0,89	EH4083X	ISX	4/22	4,42	EP2010X	ISX	4/31	-
EH1582X	AMX	3/14	1,23	EH4085	AMX	3/15	8,99	EP2012X	ISX	4/31	-
EH1582X	ISX	4/21	1,23	EH4085	ISX	4/22	8,99	EP2060X	ISX	4/31	-
EH1800	ISX	4/20	4	EH5062X	AMX	3/14	2,75	EP2080X	ISX	4/31	-
EH2000	ISX	4/20	4,8	EH5062X	ISX	4/21	2,75	ES1805X	ISX	4/8	-
EH2018X	AMX	3/14	1,14	EH5063X	AMX	3/15	4,15	ES1806X	ISX	4/8	-
EH2018X	ISX	4/21	1,14	EH5063X	ISX	4/22	4,15	ES1826BX	ISX	4/8	-
EH2024X	AMX	3/14	1,14	EH5082X	AMX	3/14	3,76	ES1827BX	ISX	4/8	-
EH2024X	ISX	4/21	1,14	EH5082X	ISX	4/21	3,76	ES1864X	ISX	4/8	-
EH2029X	AMX	3/14	1,59	EH5084X	AMX	3/15	5,53	ES1865X	ISX	4/8	-
EH2029X	ISX	4/21	1,59	EH5084X	ISX	4/22	5,53	ES1884X	ISX	4/8	-
EH2036X	AMX	3/14	1,59	EH6018X	AMX	3/14	3,22	ES1885X	ISX	4/8	-
EH2036X	ISX	4/21	1,59	EH6018X	ISX	4/21	3,22	ES2006X	ISX	4/8	-
EH2062X	AMX	3/14	1,14	EH6025X	AMX	3/14	3,22	ES2007X	ISX	4/8	-
EH2062X	ISX	4/21	1,14	EH6025X	ISX	4/21	3,22	ES2025BX	ISX	4/8	-
EH2063X	AMX	3/15	1,66	EH6029X	AMX	3/14	4,48	ES2026BX	ISX	4/8	-
EH2063X	ISX	4/22	1,66	EH6029X	ISX	4/21	4,48	ES2065X	ISX	4/8	-
EH2065	AMX	3/15	3,37	EH6036X	AMX	3/14	4,48	ES2066X	ISX	4/8	-
EH2065	ISX	4/22	3,37	EH6036X	ISX	4/21	4,48	ES2085X	ISX	4/8	-
EH2082X	AMX	3/14	1,59	EH6062X	AMX	3/14	3,22	ES2086X	ISX	4/8	-
EH2082X	ISX	4/21	1,59	EH6062X	ISX	4/21	3,22	ET1810X	ISX	4/31	-
EH2083X	AMX	3/15	2,21	EH6063X	AMX	3/15	4,97	ET1860X	ISX	4/31	-
EH2083X	ISX	4/22	2,21	EH6063X	ISX	4/22	4,97	ET1880X	ISX	4/31	-
EH2085	AMX	3/15	4,5	EH6082X	AMX	3/14	4,48	ET2010X	ISX	4/31	-
EH2085	ISX	4/22	4,5	EH6082X	ISX	4/21	4,48	ET2060X	ISX	4/31	-
EH2118	SRX-AMX-ISX	5/2	0,07	EH6084X	AMX	3/15	6,63	ET2080X	ISX	4/31	-
EH2129	SRX-AMX-ISX	5/2	0,08	EH6084X	ISX	4/22	6,63	EV0002X	ISX	4/12	1,78
EH2272X	AMX	3/15	1,17	EL1840X	ISX	4/9	18,62	EV0003X	ISX	4/12	0,24
EH2272X	ISX	4/22	1,17	EL1850X	ISX	4/9	23,38	EV0005	ISX	4/27	0,232
EH2297X	AMX	3/15	1,17	EL1860X	ISX	4/9	28,14	EV0006X	ISX	4/12	1,22
EH2297X	ISX	4/22	1,17	EL2050X	ISX	4/9	25,98	EV1007	ISX	4/27	2,75
EH2472X	AMX	3/15	1,17	EL2060X	ISX	4/9	31,27	EV1008	SRX	2/12	0,04
EH2472X	ISX	4/22	1,17	EM1804	ISX	4/24	5,98	EV1008	AMX	3/18	0,04
EH3018X	AMX	3/14	1,66	EM2004	ISX	4/24	6,68	EV1008	ISX	4/30	0,04

Code	Structure	Page	Weight
EV1036	SRX	2/12	0,04
EV1036	AMX	3/18	0,04
EV1036	ISX	4/30	0,04
EV1037	SRX	2/12	0,04
EV1037	AMX	3/18	0,04
EV1037	ISX	4/30	0,04
EV1039	SRX	2/12	0,04
EV1039	AMX	3/18	0,04
EV1039	ISX	4/30	0,04
EV1040	SRX-AMX-ISX	5/6	0,94
EV1041	SRX-AMX-ISX	5/6	1,1
EV1042	SRX-AMX-ISX	5/6	0,238
EV1043	SRX-AMX-ISX	5/6	0,75
EV1044	SRX-AMX-ISX	5/6	0,112
EV1045	SRX-AMX-ISX	5/6	0,24
EV1047	SRX-AMX-ISX	5/6	0,484
EV1048	SRX-AMX-ISX	5/6	0,525
EV1049	SRX-AMX-ISX	5/6	-
EV1050	SRX-AMX-ISX	5/9	6,88
EV1050	SRX-AMX-ISX	5/9	6,88
EV1051	SRX-AMX-ISX	5/9	1
EV1056	SRX-AMX-ISX	5/9	0,328
EV1058	SRX-AMX-ISX	5/9	0,576
EV1060K	ISX	4/27	1,62
EV1061K	ISX	4/27	2,39
EV1071K	SRX-AMX-ISX	5/8	1,57
EV1072K	SRX-AMX-ISX	5/8	2,1
EV1073K	SRX-AMX-ISX	5/8	2,62
EV1075K	SRX-AMX-ISX	5/8	0,2
EV1090	SRX-AMX-ISX	5/9	0,88
EV1091	SRX-AMX-ISX	5/9	0,88
EV1092	SRX-AMX-ISX	5/9	0,55
EV1093	SRX-AMX-ISX	5/9	0,55
EV1100	SRX-AMX-ISX	5/3	1,15
EV1101	SRX-AMX-ISX	5/3	1,28
EV1110	SRX-AMX-ISX	5/8	2,74
EV1111	SRX-AMX-ISX	5/8	0,68
EV1112	SRX-AMX-ISX	5/8	2,74
EV1113	SRX-AMX-ISX	5/8	0,125
EV1115	SRX-AMX-ISX	5/9	0,65
EV1116	SRX-AMX-ISX	5/9	0,75
EV1117	SRX-AMX-ISX	5/9	0,67
EV1118	SRX-AMX-ISX	5/9	0,96
EV1119	SRX-AMX-ISX	5/9	3,6
EV1120	SRX-AMX-ISX	5/9	4,5
EV1121	SRX-AMX-ISX	5/9	8,85
EV1122	SRX-AMX-ISX	5/9	2,44
EV1123	SRX-AMX-ISX	5/9	2,49
EV1124	SRX-AMX-ISX	5/9	2,77
EV1125	SRX-AMX-ISX	5/9	2,77
EV1130	SRX-AMX-ISX	5/3	5,89
EV1131	SRX-AMX-ISX	5/3	5,89
EV1135	SRX-AMX-ISX	5/2	0,24
EV1136	SRX-AMX-ISX	5/2	0,16
EV1137	SRX-AMX-ISX	5/2	0,24
EV1140	ISX	5/8	0,18
EV1143	SRX-AMX-ISX	5/7	0,08
EV1144	SRX-AMX-ISX	5/7	0,08
EV1145	SRX-AMX-ISX	5/7	0,08
EV1146	SRX-AMX-ISX	5/7	0,02
EV1147	SRX-AMX-ISX	5/7	0,36
EV1148	SRX-AMX-ISX	5/7	0,36
EV1150	SRX-AMX-ISX	5/3	0,1
EV1151	SRX-AMX-ISX	5/3	0,1
EV1152	SRX-AMX-ISX	5/3	0,1
EV1153	SRX-AMX-ISX	5/3	0,1

Code	Structure	Page	Weight
EV1154	SRX-AMX-ISX	5/3	0,1
EV1155	SRX-AMX-ISX	5/3	0,01
EV1156	SRX-AMX-ISX	5/3	0,07
EV1160	ISX	4/27	0,85
EV2110	SRX-AMX-ISX	5/8	0,558
EV2112	SRX-AMX-ISX	5/8	0,558
EX1860	ISX	4/18	21,56
EX1880	ISX	4/18	30,18
EX2060	ISX	4/18	23,96
EX2080	ISX	4/18	33,54
FLN3215X	SRX	2/9	0,6
FLN3415X	SRX	2/9	1,2
FLN4315X	SRX	2/9	-
FLN4320X	SRX	2/9	1,3
FLN4420X	SRX	2/9	1,8
FLN4620X	SRX	2/9	2,8
FLN5520X	SRX	2/9	-
FLN6630X	SRX	2/9	-
FLN6830X	SRX	2/9	-
FLN7525X	SRX	2/9	3
FLN8625X	SRX	2/9	-
FORAMX	AMX	3/19	-
FORAMX	SRX-AMX-ISX	5/11	-
FORISX	SRX-AMX-ISX	5/11	-
FORISX	ISX	4/31	-
FORSRX	SRX-AMX-ISX	5/11	-
FORSRX	SRX	2/13	-
GD1520	ISX	4/18	0,8
GD1530	ISX	4/18	1,79
GD4006	SRX	2/12	0,8
GD6006	SRX	2/12	0,9
GD8006	SRX	2/12	1
GZ4020	SRX	2/9	0,05
GZ4025	SRX	2/9	0,05
GZ5020	SRX	2/9	-
GZ5025	SRX	2/9	-
GZ6020	SRX	2/9	-
GZ6025	SRX	2/9	0,05
GZ6030	SRX	2/9	0,05
GZ8030	SRX	2/9	0,05
KC1080X	SRX	2/7	21,75
KC4030X	SRX	2/7	-
KC5040X	SRX	2/7	17,38
KC6040X	SRX	2/7	17,96
KC7050X	SRX	2/7	19,16
KC8060X	SRX	2/7	19,87
KD1080X	SRX	2/10	2,95
KD5040X	SRX	2/10	1,69
KD6040X	SRX	2/10	1,8
KD8060X	SRX	2/10	2
MD1600	AMX	3/13	4,78
MD1800	AMX	3/13	5,32
MD2000	AMX	3/13	5,87
PB0803	ISX	4/28	0,4
PB1603	ISX	4/28	1,11
PC1406X	SRX	2/11	2,8
PC1606X	SRX	2/11	1,29
PC1806X	SRX	2/11	1,5
PC2606X	SRX	2/11	2,5
PC2806X	SRX	2/11	3
PF1080	SRX	2/7	12
PF1260	SRX	2/7	11
PF1280	SRX	2/7	14,5
PF3020	SRX	2/7	0,7
PF3040	SRX	2/7	1,48
PF4030	SRX	2/7	1,48

Code	Structure	Page	Weight
PF4040	SRX	2/7	2,05
PF4060	SRX	2/7	3,34
PF5040	SRX	2/7	2,62
PF5050	SRX	2/7	-
PF6040	SRX	2/7	3,34
PF6060	SRX	2/7	5,1
PF7050	SRX	2/7	4,95
PF8060	SRX	2/7	6,97
PF8080	SRX	2/7	9,4
PM1414X	SRX	2/11	2,4
PM1625X	SRX	2/11	3
PM1836X	SRX	2/11	3,7
PRN1086X	SRX	2/13	11,5
PRN1266X	SRX	2/13	10
PRN1286X	SRX	2/13	13
PRN3026X	SRX	2/13	1
PRN3046X	SRX	2/13	1,7
PRN4036X	SRX	2/13	2,1
PRN4046X	SRX	2/13	2,61
PRN4066X	SRX	2/13	3,5
PRN5046X	SRX	2/13	3
PRN5056X	SRX	2/13	-
PRN6046X	SRX	2/13	3,5
PRN6066X	SRX	2/13	5
PRN6086X	SRX	2/13	-
PRN7056X	SRX	2/13	5
PRN8066X	SRX	2/13	6,2
PRN8086X	SRX	2/13	8,5
PS2476X	SRX	2/11	1
PS2676X	SRX	2/11	1,3
PS2876X	SRX	2/11	1,8
PTN1086X	SRX	2/13	15
PTN4036X	SRX	2/13	-
PTN5046X	SRX	2/13	7
PTN6046X	SRX	2/13	9
PTN7056X	SRX	2/13	9
PTN8066X	SRX	2/13	11
SRN10830VX	SRX	2/6	37,2
SRN10830X	SRX	2/6	50,5
SRN12630X	SRX	2/6	45,8
SRN12830X	SRX	2/6	56,8
SRN3215X	SRX	2/6	4,8
SRN3415X	SRX	2/6	7,5
SRN4315X	SRX	2/6	7,5
SRN4320X	SRX	2/6	8,2
SRN4420X	SRX	2/6	9,9
SRN4620X	SRX	2/6	14
SRN5420VX	SRX	2/6	9,6
SRN5420X	SRX	2/6	11,6
SRN5520X	SRX	2/6	-
SRN6420VX	SRX	2/6	11,5
SRN6420X	SRX	2/6	14
SRN6620X	SRX	2/6	-
SRN6630X	SRX	2/6	-
SRN7525VX	SRX	2/6	19,5
SRN7525X	SRX	2/6	24
SRN8620X	SRX	2/6	-
SRN8625VX	SRX	2/6	23,5
SRN8630X	SRX	2/6	32,2
SRN8830X	SRX	2/6	41,5
TA1207X	AMX	3/10	0,344
TA5510	AMX	3/17	0,255
TA7100	SRX-AMX-ISX	5/8	0,187
TA9601	AMX	3/17	0,965
TC1606X	AMX	3/19	13,285
TC1608X	AMX	3/19	17,502

Index of codes

Code	Structure	Page	Weight	Code	Structure	Page	Weight	Code	Structure	Page	Weight
TC1806X	AMX	3/19	14,917	TP1250X	AMX	3/10	12,26	ZA6020X	SRX	2/10	-
TC1808X	AMX	3/19	19,652	TP1250X	ISX	4/11	12,26	ZA6030X	SRX	2/10	7,46
TC1810X	AMX	3/19	25,169	TP1260X	ISX	4/11	-	ZA8030X	SRX	2/10	8,94
TC1812DX	AMX	3/19	14,917	TP6040X	AMX	3/10	6,179	ZN1000X	ISX	4/9	2,093
TC1812SX	AMX	3/19	16,025	TP6040X	ISX	4/11	6,179	ZN1010X	AMX	3/9	3,83
TC2006X	AMX	3/19	16,549	TP6050X	AMX	3/10	7,314	ZN1010X	ISX	4/9	3,83
TC2008X	AMX	3/19	21,802	TP6050X	ISX	4/11	7,314	ZN1011X	AMX	3/9	-
TC2010X	AMX	3/19	27,686	TP8040X	AMX	3/10	7,592	ZN4001X	ISX	4/9	-
TC2012DX	AMX	3/19	16,549	TP8040X	ISX	4/11	7,592	ZN4011X	AMX	3/9	0,575
TC2012SX	AMX	3/19	17,825	TP8050X	AMX	3/10	8,963	ZN5001X	ISX	4/9	-
TE1041	AMX	3/17	5,017	TP8050X	ISX	4/11	8,963	ZN5011X	AMX	3/9	0,805
TE1051	AMX	3/17	6,412	TP8060X	ISX	4/11	-	ZN6000X	ISX	4/9	1,127
TE1660X	AMX	3/19	13,503	TQ1080	SRX	2/8	12	ZN6000X	ISX	4/9	1,127
TE1680X	AMX	3/19	17,736	TQ1260	SRX	2/8	11	ZN6010X	AMX	3/9	-
TE1810X	AMX	3/19	24,658	TQ1280	SRX	2/8	14,5	ZN8000X	ISX	4/9	1,587
TE1812X	AMX	3/19	29,409	TQ3020	SRX	2/8	0,7	ZN8010X	AMX	3/9	-
TE1860X	AMX	3/19	15,156	TQ3040	SRX	2/8	1,5	ZN5011X	AMX	3/9	-
TE1880X	AMX	3/19	19,907	TQ4030	SRX	2/8	1,5	ZN6000X	ISX	4/9	-
TE2010X	AMX	3/19	27,347	TQ4040	SRX	2/8	2,1	ZN6000X	ISX	4/9	-
TE2012X	AMX	3/19	32,616	TQ4060	SRX	2/8	3,5	ZN6010X	AMX	3/9	-
TE2060X	AMX	3/19	16,808	TQ5040	SRX	2/8	2,7	ZN8000X	ISX	4/9	-
TE2080X	AMX	3/19	22,077	TQ6040	SRX	2/8	3,5	ZN8010X	AMX	3/9	-
TE6041	AMX	3/17	2,787	TQ6060	SRX	2/8	5,5				
TE6051	AMX	3/17	3,562	TQ6610	SRX	2/8	-				
TE8041	AMX	3/17	3,902	TQ7050	SRX	2/8	5				
TE8051	AMX	3/17	4,987	TQ8060	SRX	2/8	7				
TF1660X	AMX	3/12	15,21	TQ8080	SRX	2/8	9,5				
TF1680X	AMX	3/12	19,16	TS0060	SRX-AMX-ISX	5/8	1,67				
TF1810X	AMX	3/12	26,198	TS0080	SRX-AMX-ISX	5/8	2,236				
TF1860X	AMX	3/12	17,261	TS0100	SRX-AMX-ISX	5/8	2,802				
TF1880X	AMX	3/12	21,729	TS0120	SRX-AMX-ISX	5/8	3,368				
TF2010X	AMX	3/12	29,208	TS0160	SRX-AMX-ISX	5/8	4,496				
TF2060X	AMX	3/12	19,235	TS1004	AMX	3/12	0,642				
TF2080X	AMX	3/12	24,222	TS1005	AMX	3/12	0,833				
TK1600	AMX	3/16	3,21	TS2004	AMX	3/12	1,215				
TK1800	AMX	3/16	3,48	TS2005	AMX	3/12	1,607				
TK2000	AMX	3/16	3,76	TS6009	SRX	2/11	1				
TM2664X	AMX	3/8	58,612	TS7009	SRX	2/11	1				
TM2684X	AMX	3/8	68,725	TS8009	SRX	2/11	1				
TM2804X	AMX	3/8	87,047	TT1806X	AMX	3/19	16,408				
TM2805VX	AMX	3/8	96,311	TT1808X	AMX	3/19	21,617				
TM2824X	AMX	3/8	98,038	TT1810X	AMX	3/19	27,686				
TM2825X	AMX	3/8	105,449	TT2006X	AMX	3/19	18,203				
TM2864VX	AMX	3/8	65,583	TT2008X	AMX	3/19	23,982				
TM2864X	AMX	3/8	64,227	TT2010X	AMX	3/19	30,715				
TM2865VX	AMX	3/8	71,687	TT2015X	SRX	2/12	0,9				
TM2865X	AMX	3/8	70,331	TT3015X	SRX	2/12	1				
TM2884VX	AMX	3/8	77,068	TT3020X	SRX	2/12	1,2				
TM2884X	AMX	3/8	75,282	TT4015X	SRX	2/12	1,8				
TM2885VX	AMX	3/8	83,609	TT4020X	SRX	2/12	2				
TM2885X	AMX	3/8	81,822	TT5020X	SRX	2/12	2,5				
TM2904X	AMX	3/8	94,623	TT5025X	SRX	2/12	2				
TM2905VX	AMX	3/8	104,609	TT6020X	SRX	2/12	2,7				
TM2924X	AMX	3/8	106,549	TT6025X	SRX	2/12	2,5				
TM2925X	AMX	3/8	114,431	TT6030X	SRX	2/12	3,8				
TM2964X	AMX	3/8	69,841	TT8030X	SRX	2/12	4,5				
TM2965VX	AMX	3/8	77,921	TU1000X	ISX	4/10	-				
TM2965X	AMX	3/8	76,417	VA7910	SRX-AMX-ISX	5/5	0,855				
TM2984X	AMX	3/8	81,838	VA7915	SRX-AMX-ISX	5/5	1,128				
TM2985VX	AMX	3/8	90,831	VA7930	SRX-AMX-ISX	5/5	0,315				
TM2985X	AMX	3/8	88,849	VA7950	SRX-AMX-ISX	5/5	0,438				
TP1040X	AMX	3/10	9,005	VA7975	SRX-AMX-ISX	5/5	0,578				
TP1050X	AMX	3/10	10,617	VA8300	SRX-AMX-ISX	5/5	0,945				
TP1050X	ISX	4/11	10,617	ZA4020X	SRX	2/10	5,26				
TP1060X	ISX	4/11	-	ZA5020X	SRX	2/10	-				
TP1240X	AMX	3/10	10,418	ZA5025X	SRX	2/10	-				

Contact us

ABB SACE

A division of ABB S.p.A.

Automation and Distribution Boards

Via Italia, 58

23846 Garbagnate Monastero (LC) - Italy

Tel: +39 031 3570.111

Fax: +39 031 3570.228

www.abb.it/lowvoltage

The data and illustrations are not binding. We reserve the right to modify the contents of this document on the basis of technical development of the products, without prior notice.

Copyright 2017 ABB. All right reserved.

1STC804021D0203 - 01.2017