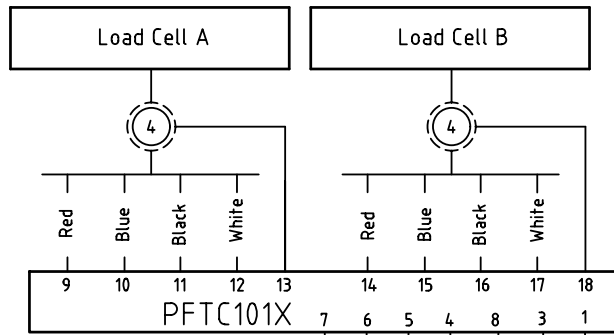


REV	DESCRIPTION	DATE	DEPT./INIT.
A	New document	2002-11-21	ATCF/FM/GB/LEN
B	Sheet 2 changed	2002-11-22	ATCF/FM/GB/LEN
C	Instruction for single load cell application added.	2007-04-12	PA/FM/GF/ZR
D	PFEA122 added together with information of PROFINET and EtherNet/IP connectors."Mains 100-240 V ac" was "Mains 115/230 VAC". Title updat.	2022-06-02	PAMA/FMGF /LH
D	connectors."Mains 100-240 V ac" was "Mains 115/230 VAC". Title updat.	2022-06-02	PAMA/FMGF /LH



For single Load Cell application connect shorting wire in PFTC101X at:
 -when single load cell A between 14 & 15 or
 -when single load cell B between 9 & 10

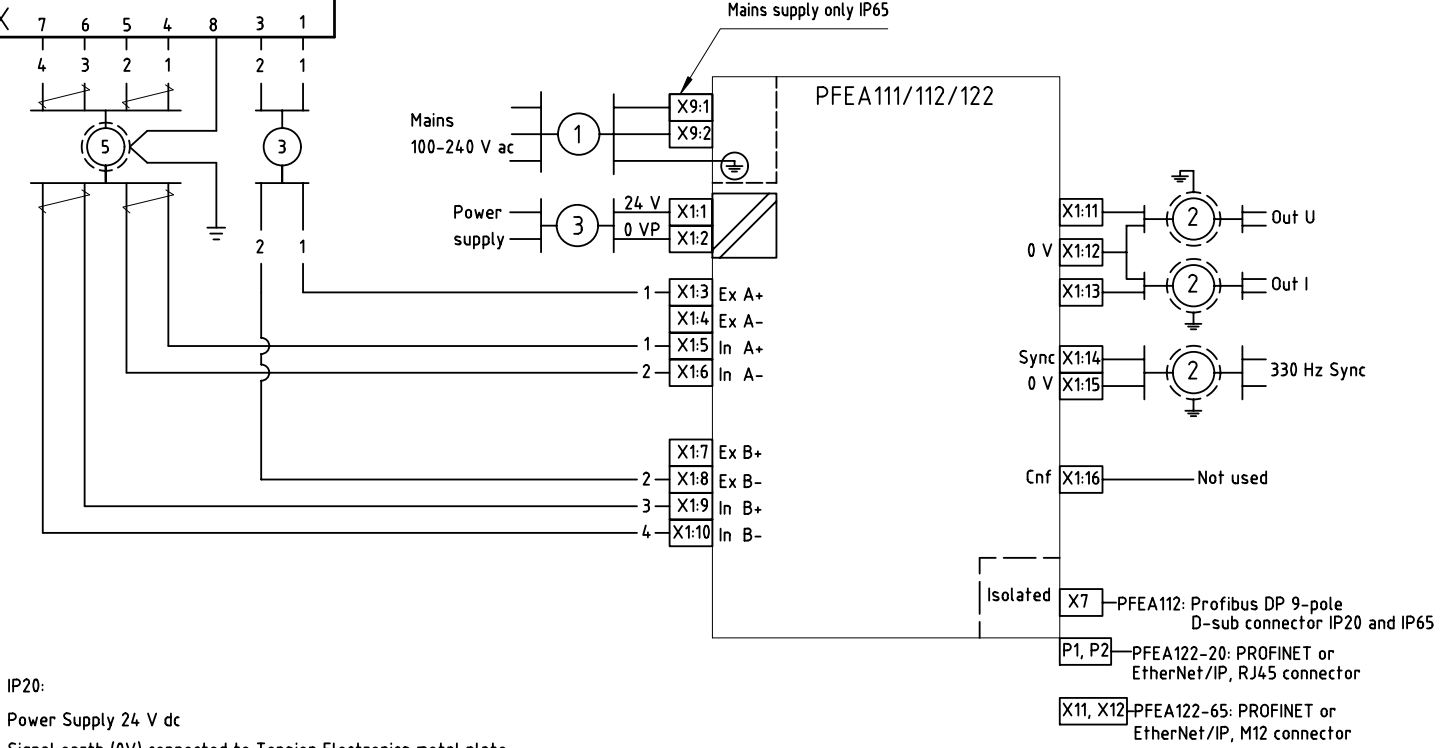
Cable resistance between X1:3 and X1:8 must not exceed 5 ohm.

CABLE LIST	
1	3 x 1,5...2,5 mm ² [14...12 AWG]
2	2 x 0,4...1 mm ² [22...18 AWG] —Shielded
3	2 x 1,5...2,5mm ² [14...12AWG]
4	4 x 1,0 mm ² [20 AWG] —Shielded, fixed with Load Cell
5	2 x 2 x 0,5 mm ² [20 AWG] —Shielded twisted pair

Increased Force in the direction of the arrow results in a positive output signal change.

PFTL101AER
PFTL101BER

For inversely applied Force swap X1:5&6 and X1:9&10 to get a positive output signal change.



IP20:
 Power Supply 24 V dc
 Signal earth (0V) connected to Tension Electronics metal plate
 Cable Shields should be connected to earth close to the Tension Electronics

IP65:
 Power Supply 100 (-15%) to 240 (+10%) V ac or 24 V dc
 Signal earth (0V) connected to earth bar inside the unit
 Cable Shields should be connected to earth bar inside the unit

IMPORTANT!

Core order along no. 4

If cable no. 4 is lengthened it is important to keep core order.

Prep.	PAMA/FMGF	Lars Hinders	2022-08-15	Circuit diagram	Cont.sh./No of sh.
Appr.	PAMA/FMGF	Håkan F Wintzell	2022-08-17	Tension Electronics PFEA111/112/122	-
Resp.dept	PAMA/FMGF			Tension Electronics PFEA111/112/122	-
Document number				3BSE02814.0D0065	Sheet
ABB				ABB AB	5

Prohibited substances set out in the current document "ABB List of Prohibited and Restricted substances" shall not be used. Restricted substances in concentrations above the accepted levels must be declared.

Product family : PFEA
 Product type designation : PFEA 111/112/122
 Product information : PFE100

Project or order number :
 Customer reference :
 Modify date : 2022-07-05 14:57:12

Document status : Approved

We reserve all rights in this document and in the information contained therein. Reproduction, use or disclosure to third parties without express authority is strictly forbidden. © ABB AB