

INSTRUMENT TRANSFORMERS

VOZ-75B

Outdoor voltage transformer



The VOZ-75B voltage transformer is designed for outdoor metering and relaying applications.

Product features

- 8.7 kV, outdoor
- 75 kV BIL, 60 Hertz
- Electrical clearances:
 - Strike: 13.4" (340 mm)
 - Creep: 30.8" (782 mm)
- Minimum operating temperature: -50° C
- Approximate weight: 83 lbs. (38 kg)

Application

The VOZ-75B voltage transformer is designed for outdoor metering and relaying applications.

Industry leading performance

An enhanced creep distance provides outstanding flashover resistance and increased surface area for better heat dissipation. Encapsulated in the advanced HCEP (hydrophobic cycloaliphatic epoxy) material, the VOZ-75B provides unparalleled performance in outdoor applications, including wet, polluted, or coastal environments. This unit is also available with IEEE 0.15 metering accuracy class; see VOZ-75BE.

Terminals

The electro-tin plated copper primary line terminals accommodate #10 to 250 MCM conductors. Clamp-type secondary terminals accommodate #14 through

#3 wire. A ground terminal is also provided for grounding the secondary circuit at the transformer.

Junction box

The junction box has a 1" conduit hub on either end and a knock out for a 1" conduit fitting on the bottom. The box is anchored to the body of the transformer with screws and can be easily detached, simplifying installation and change-out procedures.

Baseplate

The base is constructed of corrosion-resistant aluminum and is secured to the encapsulated base support.

Mounting

The VOZ-75B can be mounted in upright or cantilever positions. Stress relief devices should be used to support cable connections.

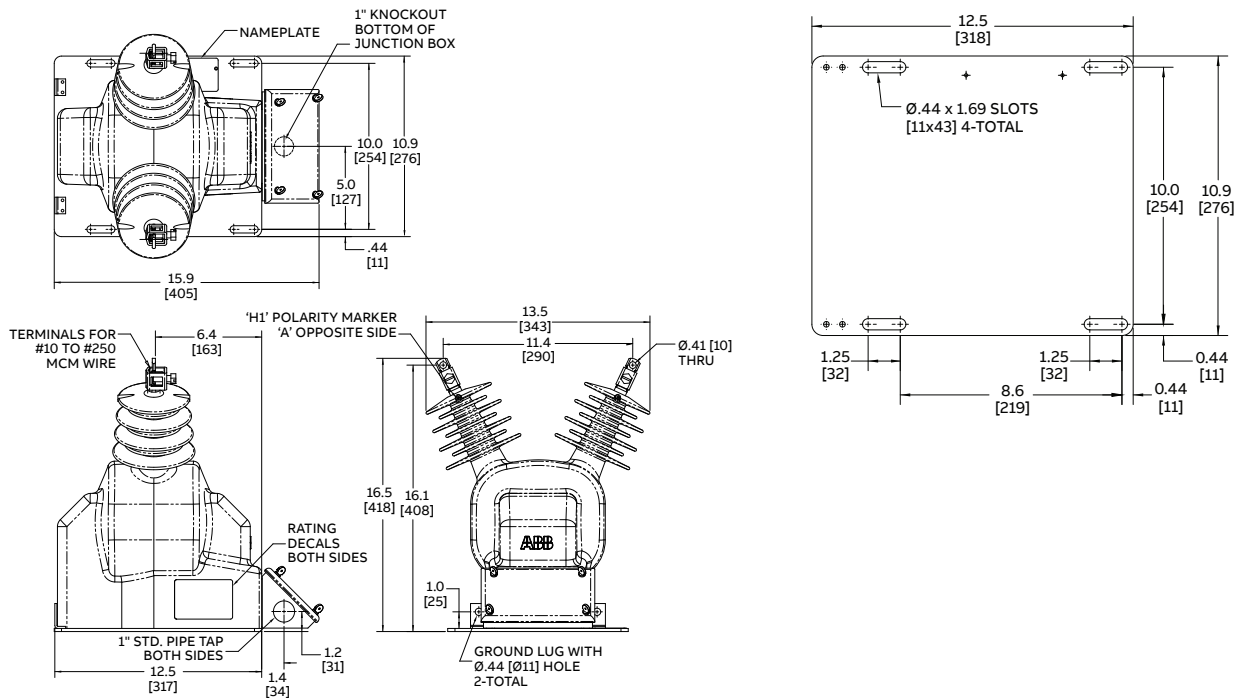
Test reports

Test reports are stored electronically and can be e-mailed in various formats at the time of shipment.

Standards

These units meet or exceed all requirements of IEEE C57.13-2016 and can be tested to other standards as requested.

Dimensions (inches [mm])



Selection guide

| Primary voltage | Secondary voltage | Winding ratio | Metering accuracy | Thermal rating at 30° C | Rated voltage factor (RVF)* | Style number |
|-----------------|-------------------|---------------|-------------------|-------------------------|-----------------------------|--------------|
| 2400/4160Y | 120 | 20:1 | 0.3Z | 1500 | 1.1 | E-923A632G01 |
| 4200/7280Y | 120 | 35:1 | 0.3Z | 1500 | 1.1 | E-923A632G02 |
| 4800/8320Y | 120 | 40:1 | 0.3Z | 1500 | 1.1 | E-923A632G03 |
| 7200/7200Y | 120 | 60:1 | 0.3Z | 1500 | 1.1 | E-923A632G04 |

* RVF for 8 hours

Additional styles available upon request. Contact your ABB sales representative or call +1-252-827-3212 for more information.