

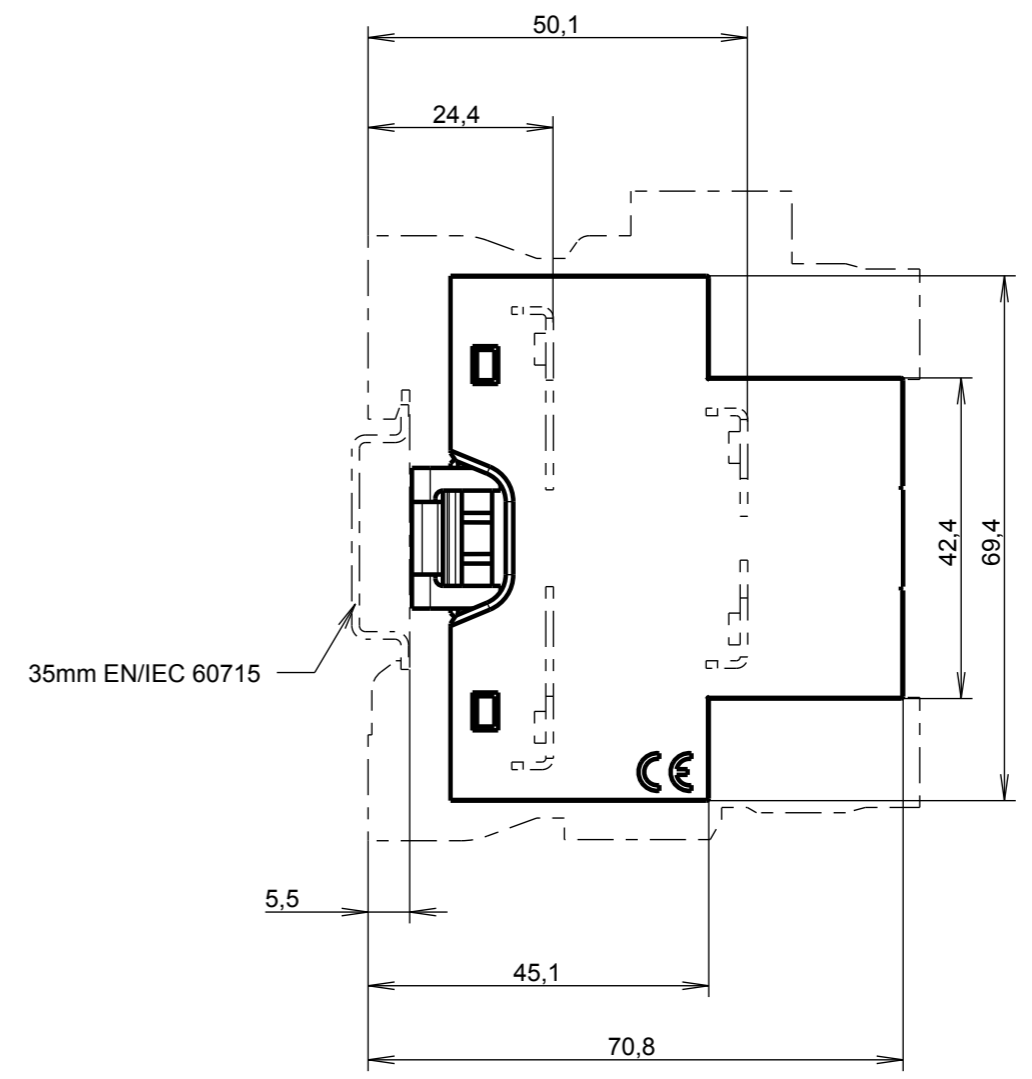
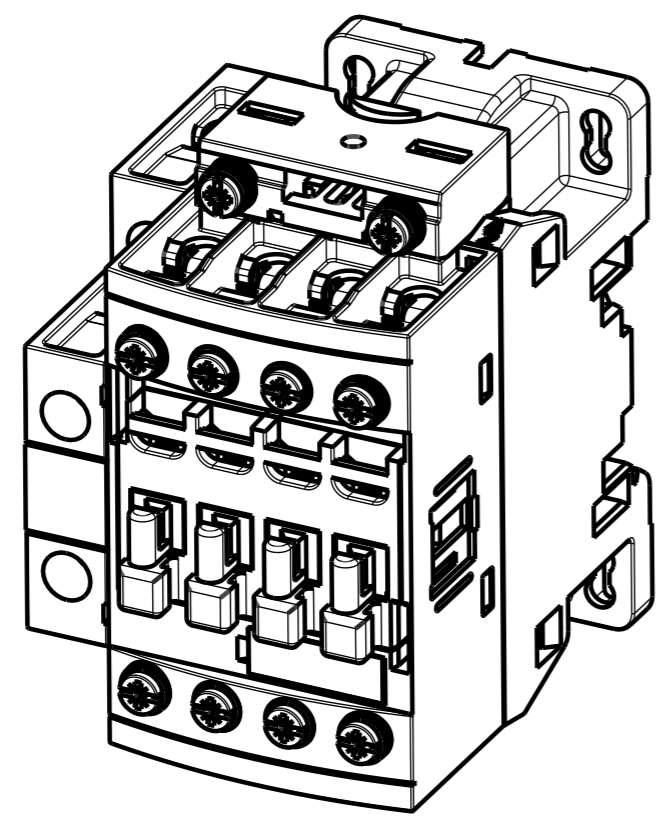
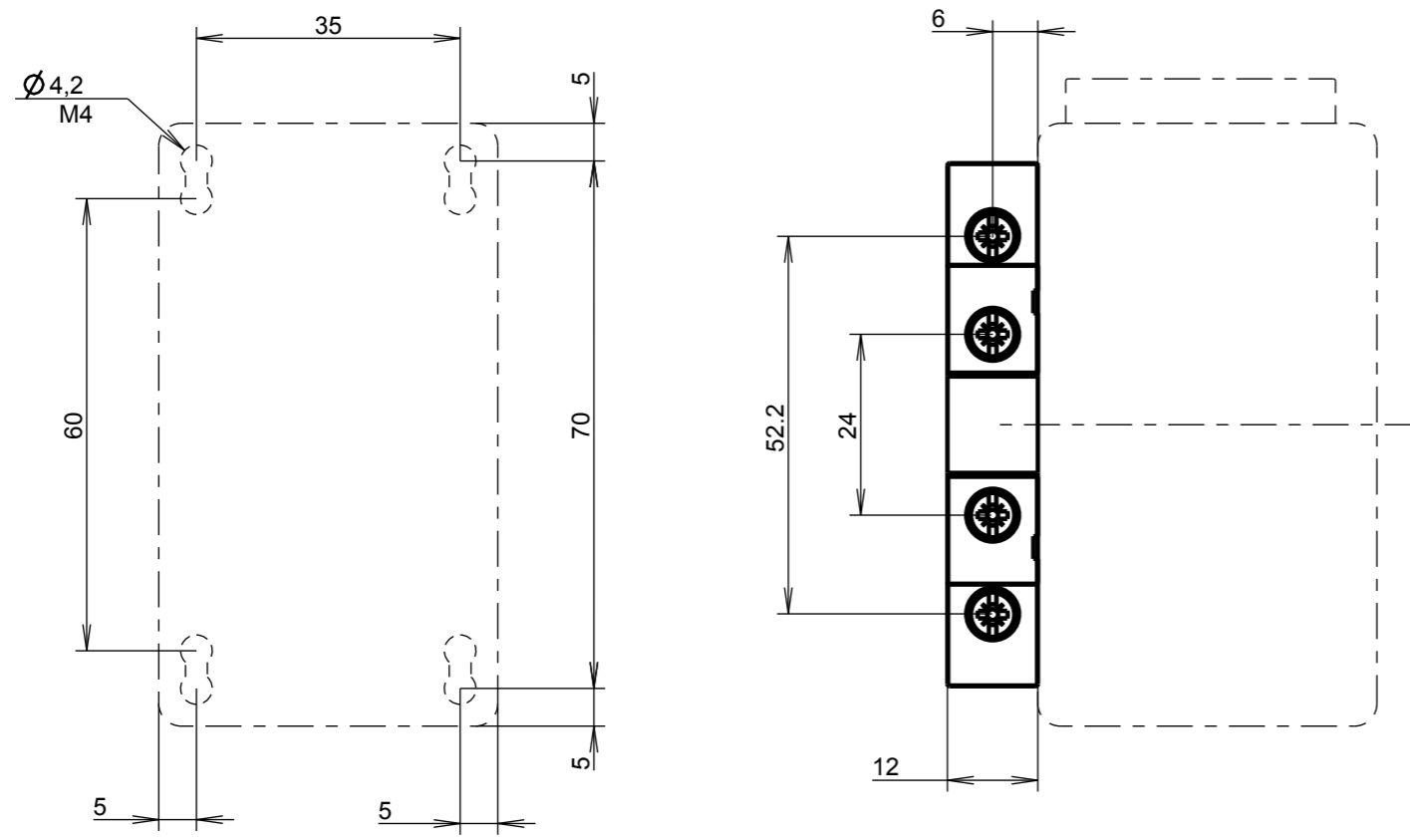
H G F E D C B A

4

3

2

1



4

3

2

1

H G F E D C B A

SQR Number: -							
A	Mise à jour cartouche	16/10/2012	ECN 501255	Eric Nguyen	Gérard Valendru		
Modif	Description	DATE	N°ECN	Author	Control		
<b>ABB</b>		Author	Creation	Control	Observations: -		
	Pacheco R	03/11/2011	Valendru G		First ECN	Scale	Nb pg
Title : 1-Stack NF...,AF09...38..RT + CAL4-11RT					ECN 501255	1:1	1
ENCOMBREMENT / DIMENSIONS + DRILLING					Running number	Doc	Size
					Type		N°Page
					1SBB505088D3504		Rev
							A

The information contained in this document is to be kept strictly confidential. Any unauthorized use, reproduction, distribution or disclosure is strictly forbidden. ABB reserves all rights. © Copyright 2012 ABB. All rights reserved.